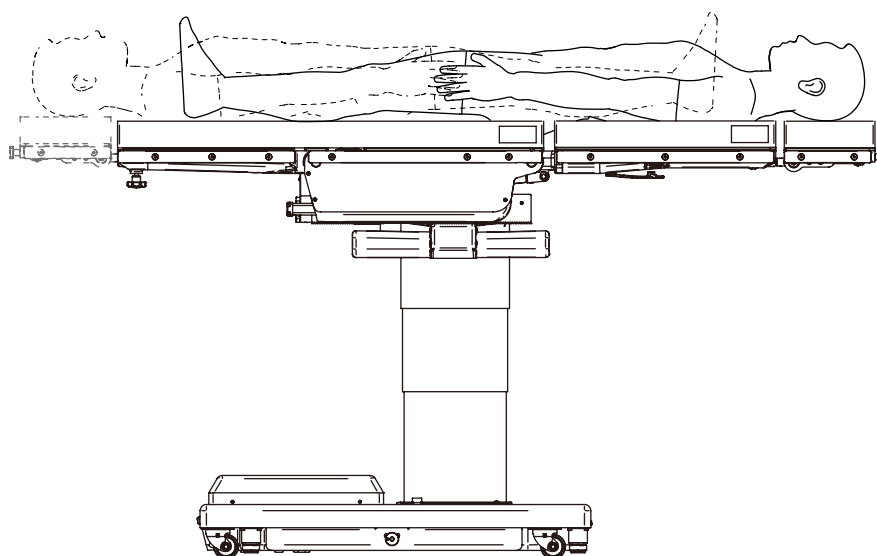




## Operating Table MOT-VS500SK

### Reverse mode: Supplementary information



#### Table of contents

1. Preparing and checking the reverse mode . . . . Supplement-1
2. Lateral tilt . . . . . Supplement-2
3. Trendelenburg . . . . . Supplement-3
4. Sliding . . . . . Supplement-4

# 1. Preparing and checking the reverse mode



## WARNING

- The lateral tilt, Trendelenburg and sliding operate in the directions opposite to the switches on the control unit. In addition, the back plate are operated by leg switches on the control unit. The leg plate are operated by back switches on the control unit. The operators must make sure to check each of the switches and their operating directions prior to surgeries. If they are operated without them having been checked, the patients may get injured due to them unexpectedly operating.
- Do not perform the flexing, reflexing nor moving up and down the lift-up unit. Since the tilting positions of the patients are different from the normal positions, the patients may unexpectedly bear more loads, and thereby get injured.
- The allowable patient weight when in reverse mode is 135 kg. If patients whose weights exceed 135 kg are placed on the operating table, then it may tip over, and the patients may thereby get injured.

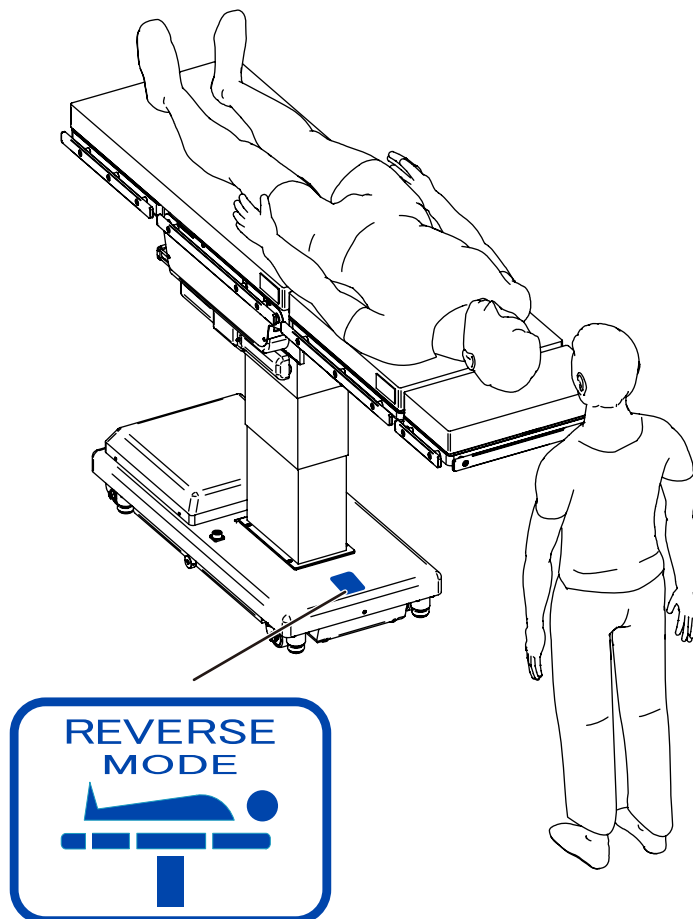
## ■ Preparing the reverse mode

For the MOT-VS500SK, detach the head plate and attach it to the ends of the leg plate.  
For the MOT-VS600, MOT-VS500DK and MOT-VE100, detach the leg plate, connect the Leg-side Reversal Adapter, and attach the accessories in accordance with their applications.

## ■ Checking the reverse mode

To verify that the patient is in the reverse mode, check that the reverse mode identification label is aligned with the patient's head as per the following illustration.

The illustration shows the head plate attached at the end of the MOT-VS500SK's leg plate.

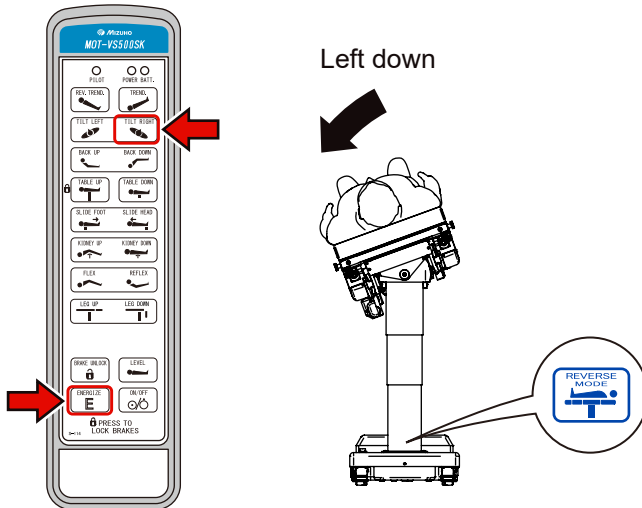


Reverse mode identification label

### ■ Tilting to the left

1. Hold down  and press .

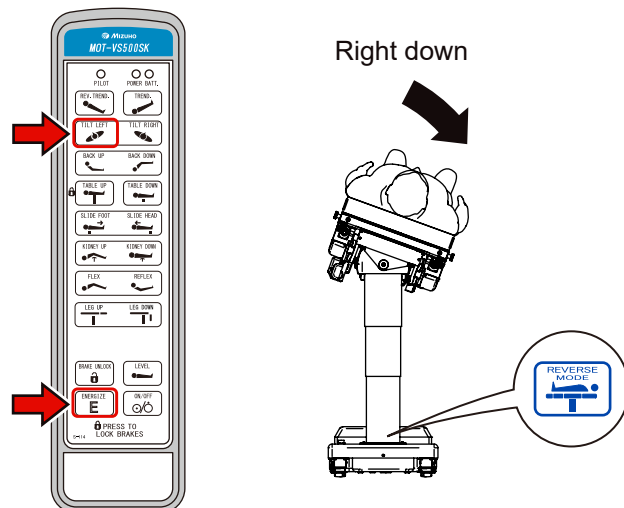
The tabletop tilts to the left in the view from the leg plate side.



### ■ Tilting to the right

1. Hold down  and press .

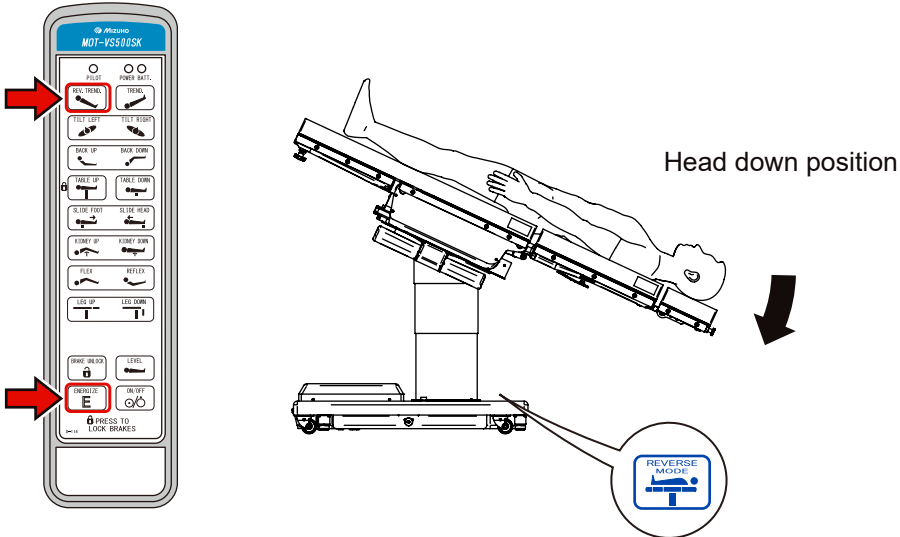
The tabletop tilts to the right in the view from the leg plate side.



## ■ Trendelenburg (Head down)

1. Hold down  and press .

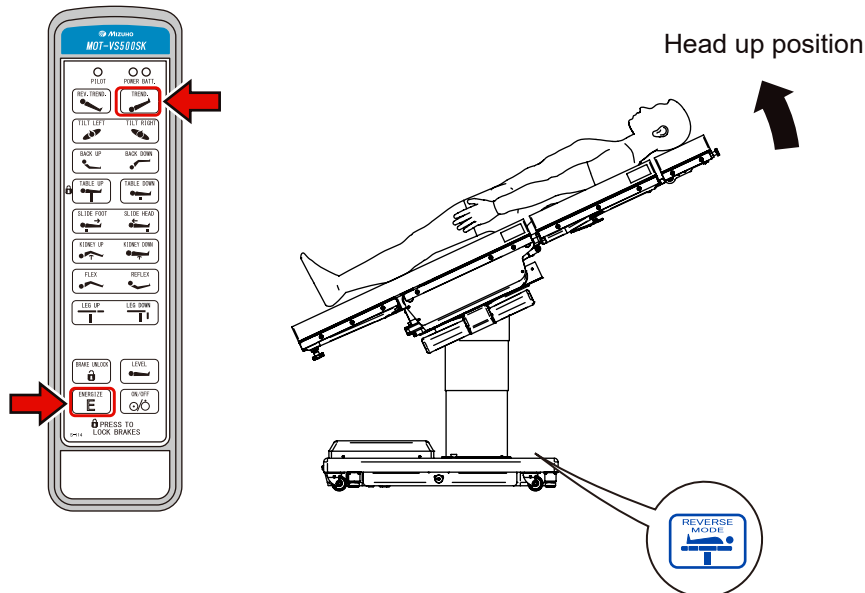
The leg plate side of the tabletop moves down.



## ■ Reverse Trendelenburg (Head up)

1. Hold down  and press .

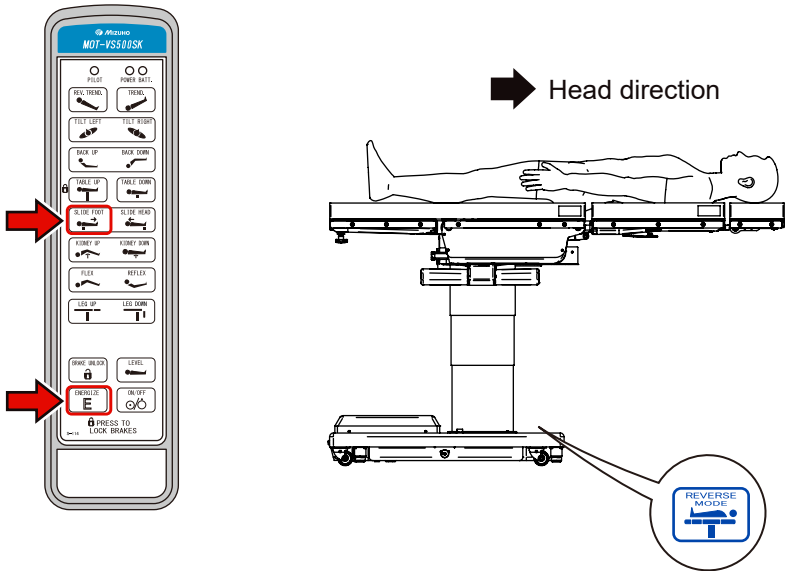
The leg plate side of the tabletop moves up.



## ■ Sliding in the head direction

1. Hold down  and press .

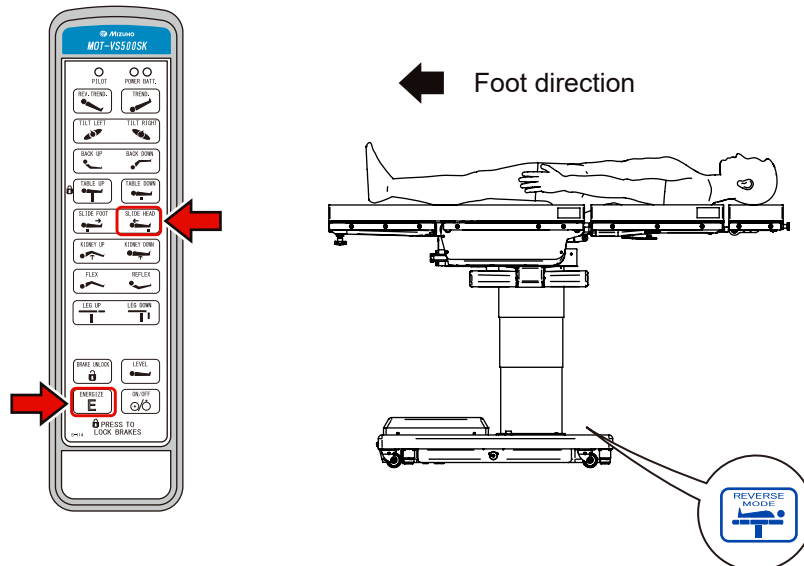
The tabletop slides to the leg plate side.



## ■ Sliding in the foot direction

1. Hold down  and press .

The tabletop slides to the back plate side.





---

Sales Agent



Emergo Europe B.V.  
Prinsessegracht 20, 2514 AP  
The Hague, The Netherlands



**MIZUHO Corporation**

3-30-13 Hongo, Bunkyo-ku  
Tokyo 113-0033, Japan  
<https://www.mizuho.co.jp>