

Be sure to read this instruction manual before using this product.
 Keep this manual available for reference when needed.

Instruction for Use

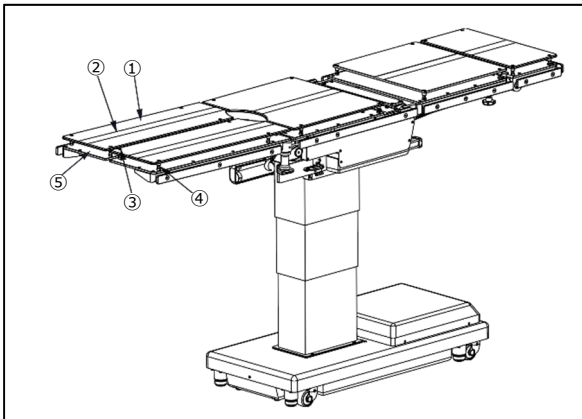
Trade Name: Radiographic Table Tops

Contraindication/Prohibition

1. Use only on the applicable operating tables listed in the brochure "OPERATING TABLE ACCESSORIES" of Mizuho.
2. Do not soak the cassette board in ethanol-based disinfectant for a long time. Doing so may damage this product.

Specifications

1. Shape



Code No.	Product Description
18-094-00	Radiographic Table Tops for MOT-VS500DK (Removable Type)
18-095-00	Radiographic Table Tops for MOT-VS500SK (Removable Type)

2. Material

- ① Cassette board: Thermosetting resin laminated board
 - ② Velcro tape: Nylon
 - ③ Flat head screw: Stainless steel
 - ④ Radiographic top leg: Carbon tool steel
 - ⑤ Phenolic board: Thermosetting resin laminated board
- Note: The number corresponds to those used in 1. Shape.

Intended purpose

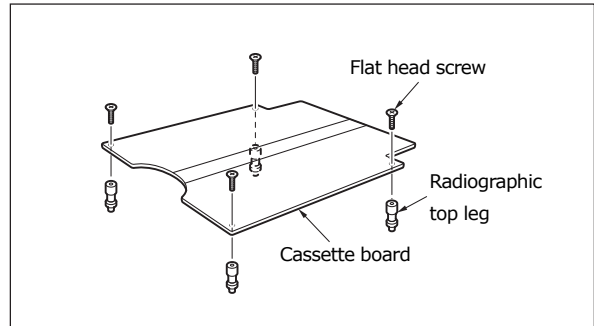
This is an accessory for an operating table. It is attached to the tabletop of the operating table to store the radiography cassette.

Intended user

This product is to be used by health care professionals, including but not limited to surgeons, nurses and biomedical technicians.

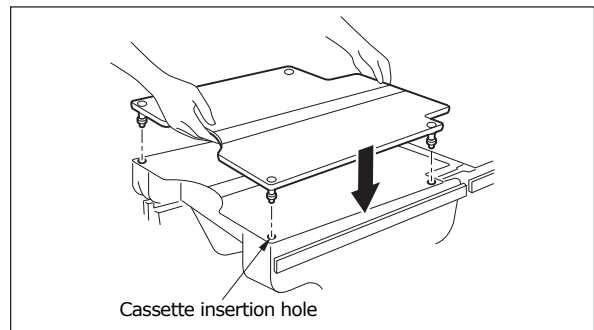
Instructions for use

1. Assembling the Radiographic Table Tops



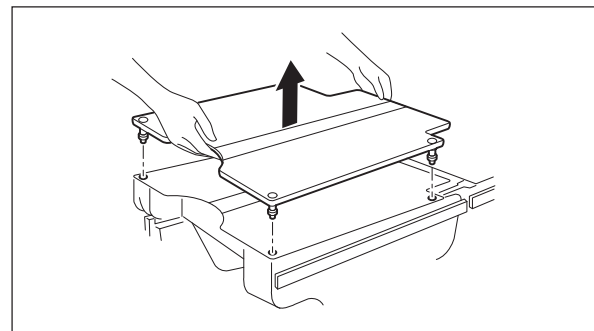
Attach the radiographic top legs to the cassette board with the flat head screws.

2. Attachment to the operating table



Align the end of the radiographic top legs to the cassette insertion holes of the tabletop and insert the cassette board straightly.

3. Detachment from the operating table

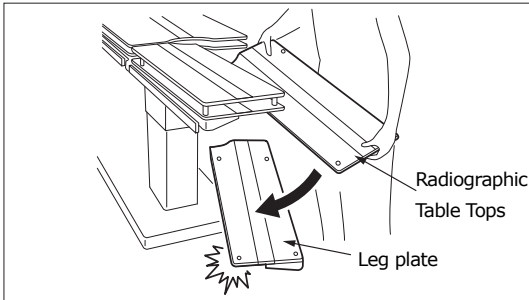
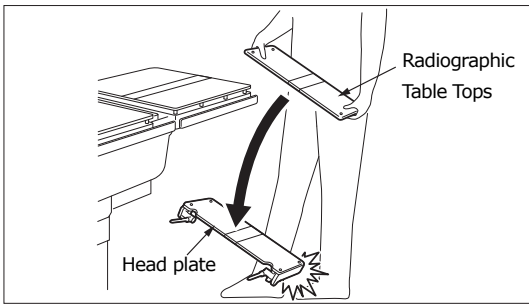


Lift the cassette board straightly.

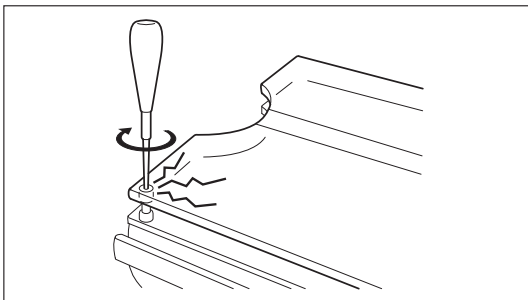
Warning/Caution

1. Important caution

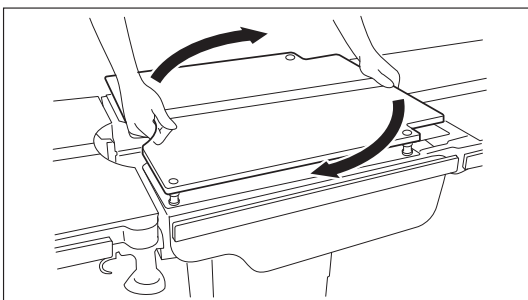
- 1-1. When detaching the detachable tabletops, including the head plate and the leg plate, always hold the body of these plates to detach. If they are detached holding the Radiographic Tops, these plates could be disengaged and dropped, resulting in injury or damage.



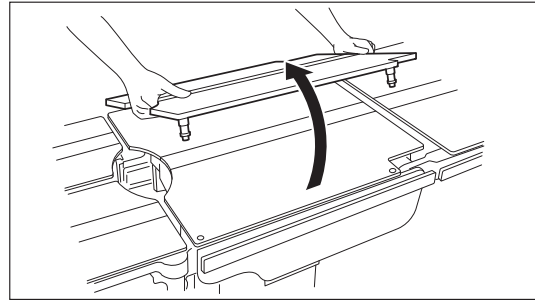
- 1-2. When operating the refraction function, including the back plate or seat plate, keep hands or object away from the refracting section of the Radiographic Table Tops, to prevent injury or damage.
- 1-3. When working with an operating table, take care not to allow this product to make contact or interfere with the tabletop or with other tools and appliances used in combination with this product. Otherwise the product could break.
- 1-4. For hygiene, be sure to use sterilized drapes on the areas on this product where the patient comes into contact with it.
- 1-5. When attaching the radiographic top leg to the cassette board, do not tighten the flat head screw forcibly. It could cause cracks that break the cassette board.



- 1-6. Do not detach as shown below. It could damage the cassette board.



Twist the cassette board to detach.



Pull it toward the operator to detach.

Storage/Life

1. Do not store the device in high temperatures or in areas with high humidity where the temperature has drastic variations.
2. Service life of this product: 7 years
(Subject to the specified maintenance and inspection and is stored properly.)

Maintenance/Inspection

<By the user>

1. Check before and after use

Check that this product is not damaged or broken before and after each use.

2. Cleaning and disinfection

Wipe off blood, chemicals, contaminants, and other stains with water, and clean the device with gauze or other materials soaked in disinfectants. In addition, use the same disinfectants as the authorized disinfectants on Mizuho's operating table described in the operating table operator's manual.

3. In case of a malfunction

When this product is broken, clearly label the device as "Broken", "Need repair", etc., and contact your local distributor or Mizuho.

<By agents>

Maintenance and inspection can only be carried out by certified agents of Mizuho.

Packing

1 piece per pack

Warranty

MIZUHO Corporation will repair defective parts of this product without charge for one year from the date of delivery/installment except for cases of damage caused by a third party's repair, act of nature, improper use or intentional damage. All other warranty terms and conditions are subject to regulations of MIZUHO Corporation.

Disposal

This device must be disposed of in accordance with local regulations. Please contact your local distributor for proper disposal.

Notice

Any serious incident that has occurred in relation to the device should be reported to the manufacturer and the competent authority in which the user and/or patient is established.



MIZUHO Corporation
3-30-13 Hongo, Bunkyo-ku, Tokyo 113-0033 Japan
<https://www.mizuho.co.jp>