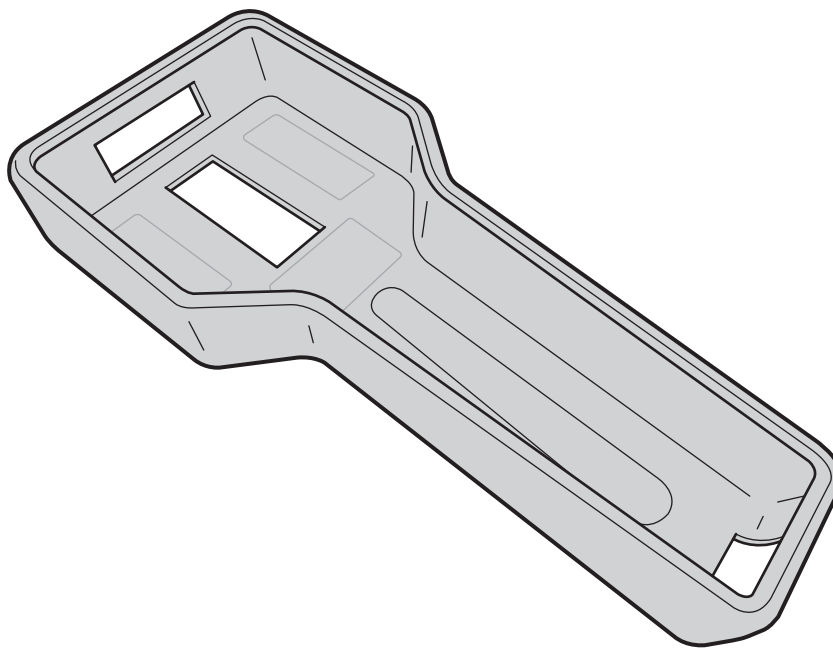




Silicone Case for LCD Hand Controller Operator's Manual



Thank you for purchasing the Silicone Case for LCD Hand Controller. Make sure to read this manual in order to safely and correctly use this product. Also, carefully store this manual so that it will not be lost. If you have any questions, contact your distributor or Mizuho.

1. Introduction

This product is the Silicone Case that is used for the LCD Hand Controller.

By attaching this product to the LCD Hand Controller that you are currently using, the hand controller will be protected from getting scratched.

■ Applicable Hand Controllers

- MOT-VS700 series
 - MST-7300 series
-



CAUTION

- This product is a consumable item. If it gets damaged, it is recommended that it be replaced with a new one as is needed.
 - Usage of this product does not guarantee the prevention of hand controller main unit damage.
 - Using the product in environments where there will be high temperatures and high humidities, or using it where there are chemicals may accelerate the deterioration of this product.
 - The usage period is estimated to be 1 year. It is recommended that it be periodically replaced in order for it to be safely and comfortably used.
 - Avoid storing it in places which are exposed to direct sunlight.
-

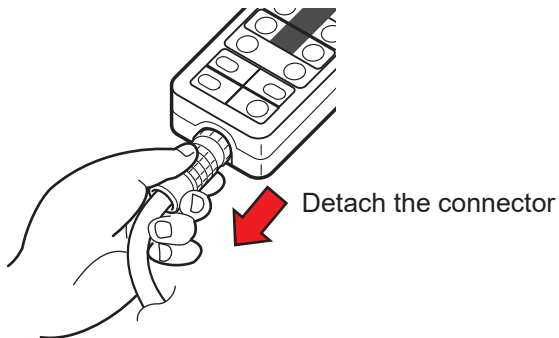
2. How to Use it



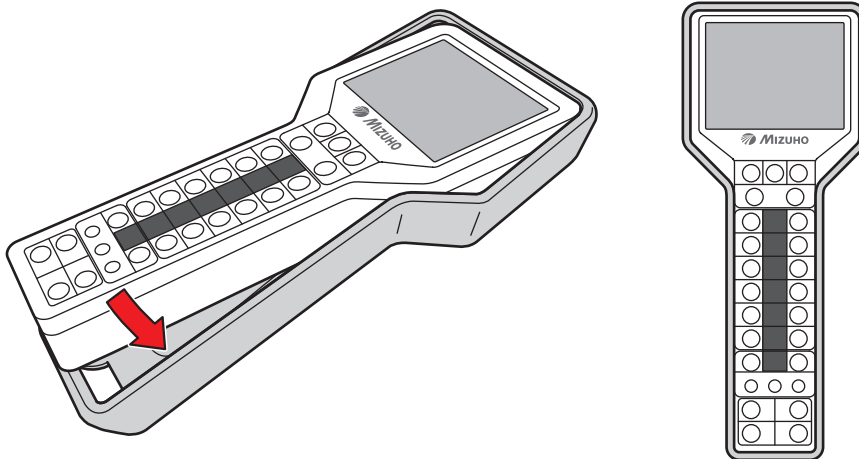
CAUTION

- Before using the product, check that it does not have any defects.
- If the product is subjected to excessive force, it may be damaged.

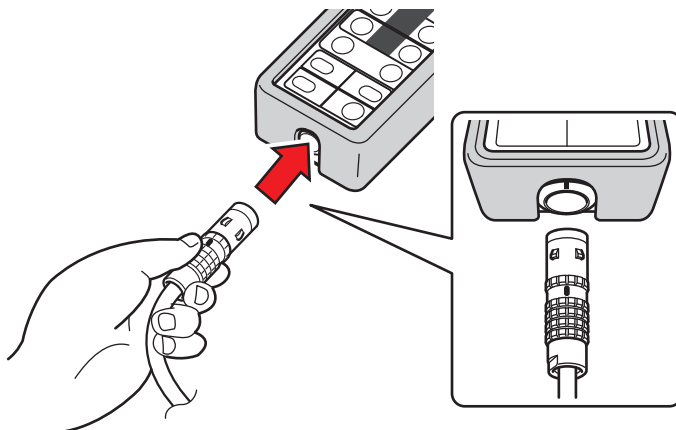
1. Detach the hand controller connector from the hand controller.



2. Attach the case.



3. Align the connector with the guide and insert it into the receptacle properly.



NOTE

To detach the case, reverse the attachment procedure.



Sales Agent



MIZUHO Corporation

3-30-13 Hongo, Bunkyo-ku
Tokyo 113-0033, Japan
<https://www.mizuho.co.jp>