

## Instruction for Use

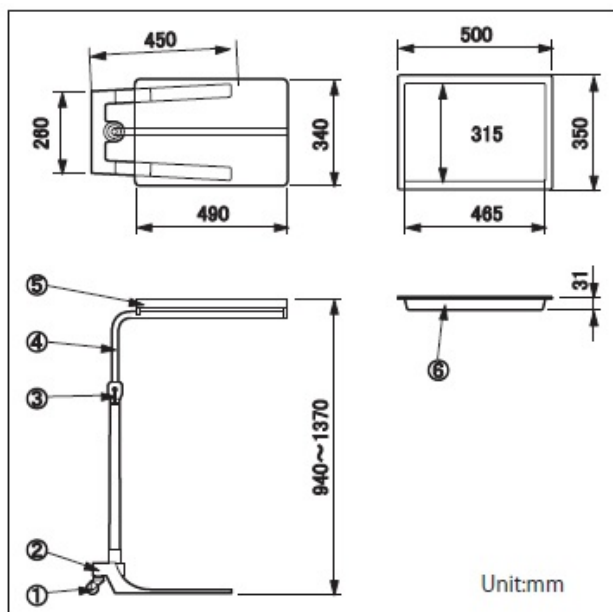
### Trade Name: Mayo Instrument Tray with Stand

#### Contraindication/Prohibition

Ensure all clamp handles are tight. Failure to do so may result in a patient injury.

#### Shape/ Structure

##### 1. External view



Code No.	Product Description
08-333-00	Mayo Instrument Tray with Stand (Adjustable Height)
08-333-01	Mayo Instrument Tray

##### 2. Weight

Main body : 15.5 kg

Tray : 2.0 kg

##### 3. Material

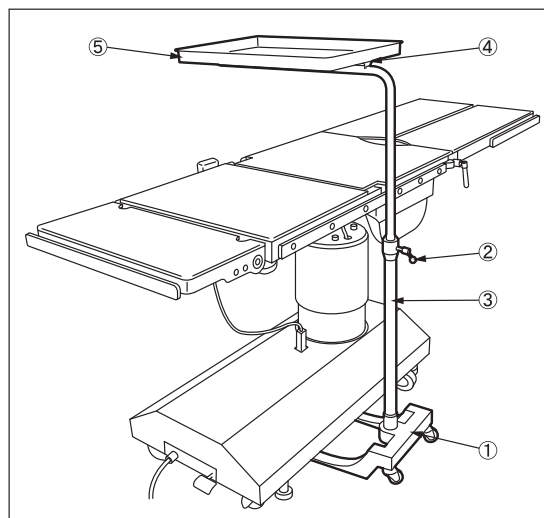
- ① Casters: Synthetic rubber
- ② Base: Stainless steel plates
- ③ Clamp handle: Stainless steel rod
- ④ Stand : Stainless steel rod
- ⑤ Frame : Stainless steel rod
- ⑥ Tray: Stainless steel plates

Note: Reference numbers are corresponding to that indicated in 1. External view shown above

#### Intended Purpose

This is an accessory to an operating table and is used to hold surgical instruments in a convenient location during a procedure.

#### Instructions for use



1. Roll the base ① under the operating table.
2. Loosen the clamp handle to adjust the height of the frame ④.
3. Secure the clamp handle ② after confirming the position.
4. Attach the tray ⑤.

#### Caution

##### Important caution

When working with an operating table, take care not to allow this product to make contact or interfere with the table top or with other tools and appliances used in combination with this product.

#### Storage and Shelf Life

1. Do not store the device in high temperatures or in areas with high humidity where the temperature has drastic variations.
2. Service life of this product: 7 years  
(subject to the specified maintenance and inspection and is stored properly)

#### Maintenance/Inspection

1. Check that this product is not damaged or broken before and after use.
2. Cleaning and disinfection  
Wipe off blood, chemicals, contaminants, and other stains with water, and clean the device with gauze or other material moistened with alcohol to disinfect.
3. In case of a malfunction  
If you need to have this product repaired, clearly label the device as "Broken", "Need repair" etc. and contact your local dealer or Mizuho.

<By agents>

Maintenance and inspection can only be carried out by certified agents of MIZUHO.

#### Packing

1 pieces per pack

#### Matters related to warranty period

MIZUHO Corporation will repair defective parts of this product without charge for one year from the date of delivery/installment except for cases of damage caused by a third party's repair, act of nature, improper use or damage on purpose. All other warranty terms and conditions are subject to regulations of MIZUHO Corporation

**Name and address of manufacturer**



MIZUHO Corporation  
3-30-13 Hongo, Bunkyo-ku, Tokyo 113-0033, Japan  
<http://www.mizuho.co.jp>