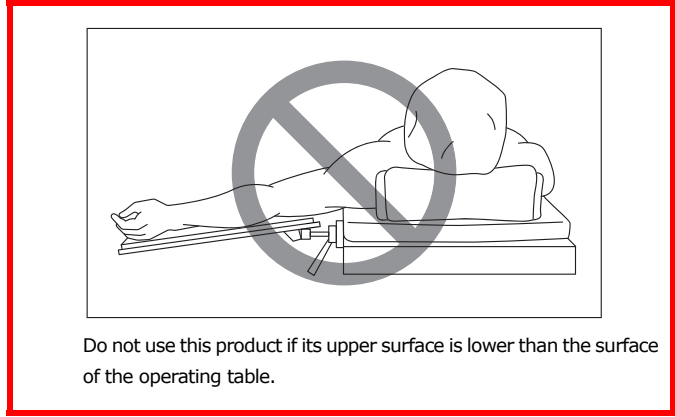
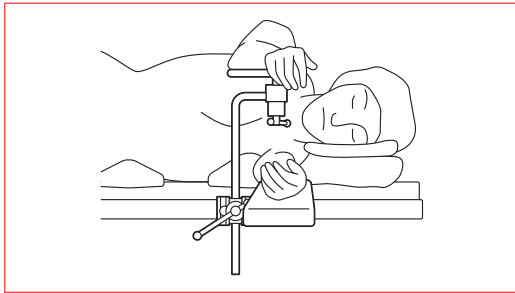


Instruction for Use

Trade Name: Standard Armboard

Warning

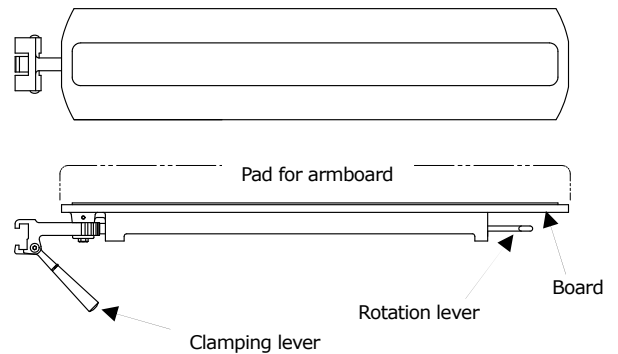
1. When using operating table accessories, always pay close attention to the patient. Patients left in the same posture for an extended period of time are at risk for developing bedsores.
2. When using this product for a patient in the lateral recumbent position, secure the arm on the lower side onto the Armboard. Failure to secure the arm to the Armboard may lead to a patient injury.



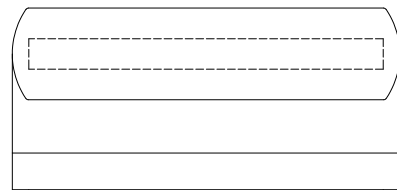
Symbol mark for labeling

:Medical Device

Specifications

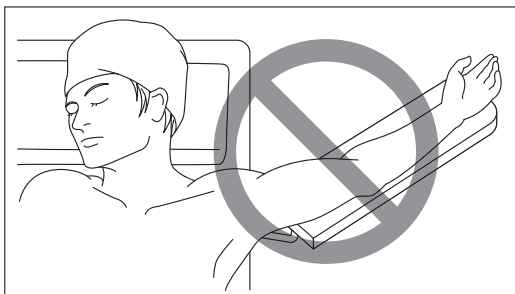


Accessory : Pad for armboard

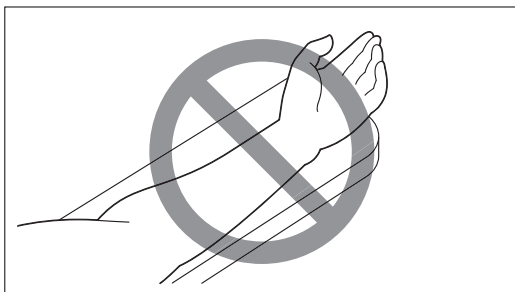


Contraindication/Prohibition

1. This product is only validated for use with Mizuho operating tables.
2. Avoid putting a patient's arm in any of the positions shown below, in order to prevent nerve paralysis in the arm.



Do not allow the arm to be positioned at an angle of more than 90 degrees with respect to the longitudinal direction of the operating table.



Do not turn up the inside of the arm (except for patients in the lateral recumbent position).

Code No.	Product Description
08-117-16	Standard Armboard (C2)

<Accessories>

Code No.	Product Description
08-117-07	60 mm Pad for Armboard (C1/C2)
08-117-08	100 mm Pad for Armboard (C1/C2)

Material: Stainless steel, Aluminium alloy, Plastic

Intended purpose

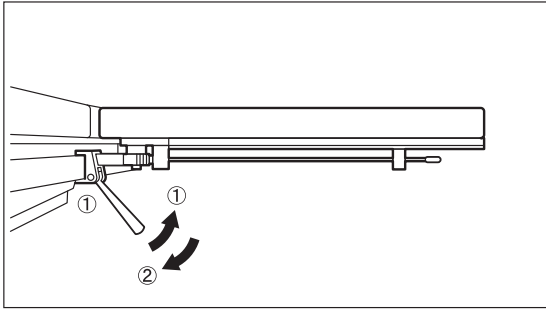
This is an accessory to an operating table and is used for supporting an upper arm of a patient.

Intended user

This product is to be used by health care professionals, including but not limited to surgeons, nurses and biomedical technicians.

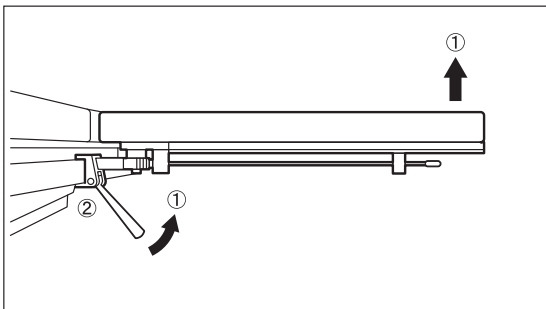
Instructions for use

1) Attachment



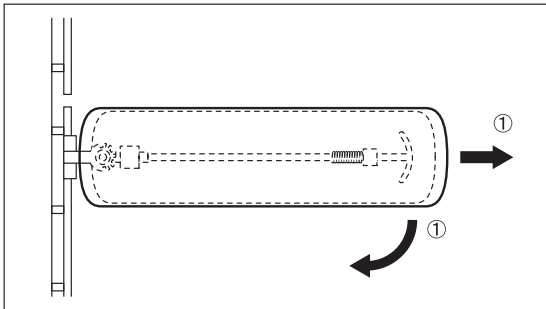
- ① While pulling the clamping lever toward you, attach the armboard to a side rail of an operating table.
- ② Release the clamping lever.

2) Removal



- ① While pulling the clamping lever toward you, lift up the edge of the board (armboard).
- ② Remove the armboard from the side rail.

3) Rotation



- ① After pulling the rotation lever, the armboard can be rotated up to 90 degrees.

Warning/Caution

1. Important caution

- ① Make sure that the clamping lever is fixed to the side rail. Failure to properly secure to rail may lead to damage to Armboard or injury to patient.
- ② If the spring is damaged, you may hurt your hands or fingers.
- ③ For hygiene, be sure to use sterile drapes on the areas on this product where the patient comes into contact with it.
- ④ When working with an operating table, take care not to allow this product to make contact or interfere with the table top or with other tools and appliances used in combination with this product.

⑤ After adjusting the rotation angle, be sure to check that the catch at the end of the rotation lever fully engages with the gear below the board.

⑥ When used in the longitudinal direction of the operating table, the standard armboard may slip and move. Therefore, monitor the patient's condition with sufficient care during surgery.

⑦ Do not apply a load exceeding the allowable 15 kg load.

Storage/Life

1. Do not store the device in high temperatures or in areas with high humidity where the temperature has drastic variations.

2. Service life of this product: 7 years

Note: Even within its useful life, if sudden failure, significant wear, deterioration or damage of parts (including the mat) occurs due to usage conditions or frequency, the relevant parts must be replaced.

Maintenance/Inspection

1. Inspection before and after use

Check that this product is not damaged or broken before and after use.

2. Cleaning/disinfection

Wipe off blood, chemicals, contaminants, and other stains with water, and clean the device with gauze or other material moistened with alcohol to disinfect.

3. In case of a malfunction

If you need to have this product repaired, consult your local dealer or Mizuho.

Packing

1 piece per pack

Warranty

Mizuho Corporation will repair defective parts of this product without charge for one year from the date of delivery/installment except for cases of damage caused by a third party's repair, act of nature, improper use or intentional damage. All other warranty terms and conditions are subject to regulations of Mizuho Corporation.

Disposal

This device must be disposed of in accordance with local regulations. Please contact your local distributor for proper disposal.

Notice

Any serious incident that has occurred in relation to the device should be reported to the manufacturer and the competent authority in which the user and/or patient is established.



MIZUHO Corporation
3-30-13 Hongo, Bunkyo-ku, Tokyo 113-0033, Japan
<https://www.mizuho.co.jp>



EMERGO EUROPE
Westervoortsedijk 60, 6827 AT Arnhem
The Netherlands