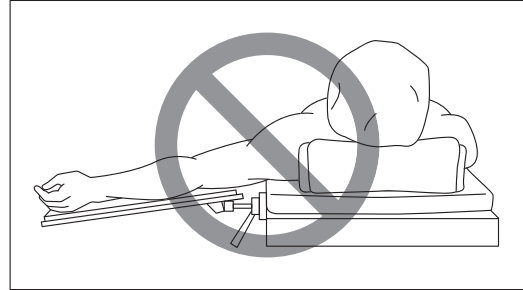
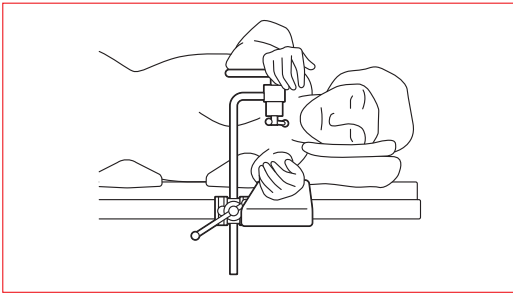


## Instruction for Use

Trade Name: Standard Armboard

### Warning

1. When using operating table accessories, always pay close attention to the patient. Patients left in the same posture for an extended period of time are at risk for developing nerve paralysis and/or bedsores.
2. When using this product for a patient in the lateral recumbent position, secure the arm on the lower side onto the Armboard. Failure to secure the arm to the Armboard may lead to a patient injury.

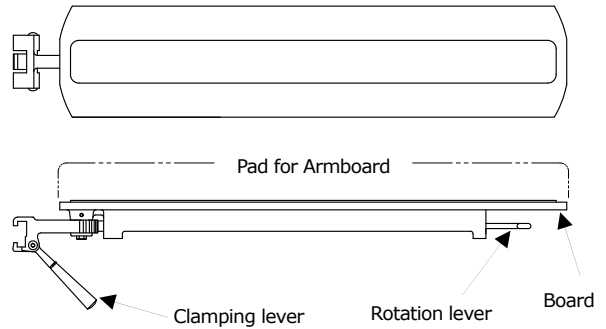


Do not use this product if its upper surface is lower than the surface of the operating table.

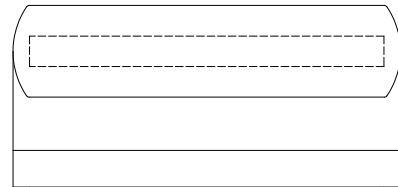
### Symbol mark for labeling

**MD** : Medical Device

### Specifications



Accessory : Pad for Armboard

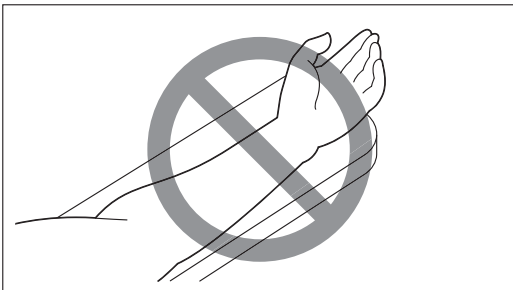


### Contraindication/Prohibition

1. This product is only validated for use with Mizuho operating tables.
2. Avoid putting a patient's arm in any of the positions shown below, in order to prevent nerve paralysis in the arm.



Do not allow the arm to be positioned at an angle of more than 90 degrees with respect to the longitudinal direction of the operating table.



Do not turn up the inside of the arm (except for patients in the lateral recumbent position).

Code No.	Product Description
08-117-06	Standard Armboard (C1)

### <Accessories>

Code No.	Product Description
08-117-07	60 mm Pad for Armboard (C1/C2)
08-117-08	100 mm Pad for Armboard (C1/C2)

Material: Stainless steel, Aluminium alloy, Synthetic resin

### Intended purpose

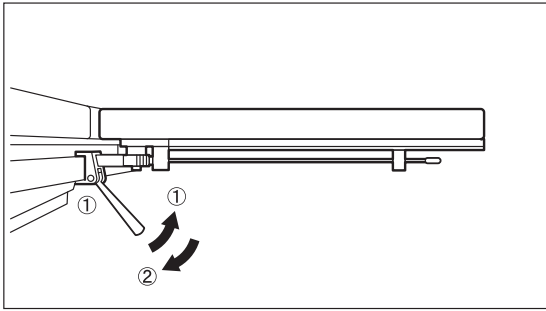
This is an accessory for the operating table and is used for supporting the arm of a patient.

### Intended user

This product is to be used by health care professionals, including but not limited to surgeons, nurses and biomedical technicians.

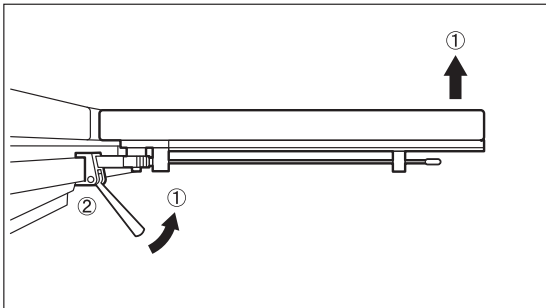
## Instructions for use

### 1) Attachment



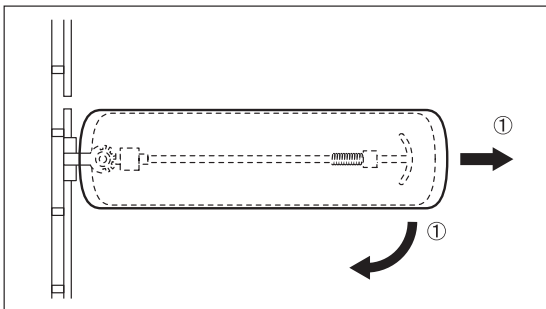
- ① While pulling the clamping lever toward you, attach the armboard to the side rail of an operating table.
- ② Release the clamping lever.

### 2) Removal



- ① While pulling the clamping lever toward you, lift up the edge of the board (armboard).
- ② Remove the armboard from the side rail.

### 3) Rotation



- ① While pulling the rotation lever, the armboard can be rotated up to 90 degrees.

## Warning/Caution

### Important caution

1. Ensure that the fixing lever is secured to the operating table rail. A damaged spring can cause the product to come off or move, which may result in a patient injury.
2. If the spring is damaged, there is a risk of injury to your hands or fingers.
3. For hygiene, be sure to use steriled drapes on the areas on this product where the patient comes into contact with it.
4. When working with the operating table, take care not to allow this product to make contact or interfere with the tabletop or with other tools and appliances used in combination with this product.
5. After adjusting the rotation angle, be sure to check that the catch at the end of the rotation lever is fully engaged with the gear below the board.
6. When used in the Trendelenburg position of the operating table, the patient's condition should be carefully monitored during surgery because the armboard may slide and move.
7. Do not exceed the allowable load (15 kg).

## Storage/Life

1. Do not store the device in high temperatures or in areas with high humidity where the temperature has drastic variations.
2. Service life of this product: 7 years  
(subject to the specified maintenance and inspection and is stored properly)

## Maintenance/Inspection

1. Check before and after use  
Check that this product is not damaged or broken before and after each use.
2. Cleaning and disinfection  
Wipe off blood, chemicals, contaminants, and other stains with water, and clean the armboard with gauze or other material moistened with alcohol to disinfect it.
3. In case of malfunction  
When this product is broken, clearly label the device as "Broken", "Do not use", "Need repair", etc., and contact your local distributor or Mizuho.

## Packing

1 piece per pack

## Warranty

Mizuho Corporation will repair defective parts of this product without charge for one year from the date of delivery/installment except for cases of damage caused by a third party's repair, act of nature, improper use or intentional damage. All other warranty terms and conditions are subject to regulations of Mizuho Corporation.

## Disposal

This device must be disposed of in accordance with local regulations. Please contact your local distributor for proper disposal.

## Notice

Any serious incident that has occurred in relation to the device should be reported to the manufacturer and the competent authority in which the user and/or patient is established.



MIZUHO Corporation  
3-30-13 Hongo, Bunkyo-ku, Tokyo 113-0033, Japan  
<https://www.mizuho.co.jp>



EMERGO EUROPE  
Westervoortsedijk 60, 6827 AT Arnhem  
The Netherlands