

Instructions for Use

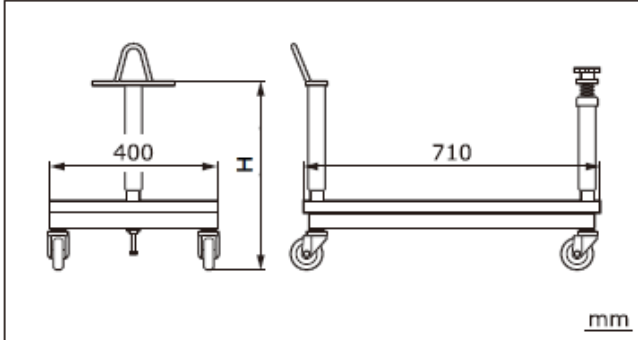
Trade Name: Cart

Contraindication/Prohibition

This product is only validated for use with Mizuho operating tables and accessories.

Specifications

1. Shape



Code No.	Product Description	H
08-115-21	Cart for Traction Arm	438
08-115-39	Cart for Traction Arm Type II	345
08-115-40	Cart for Traction Arm Type III	300
08-115-41	Cart for Traction Arm Type IV	450
08-115-42	Cart for Traction Arm Type V	490
08-115-55	Cart for Traction Arm Type VI	433

2. Weight

08-115-21: 12 kg

Others: 11 kg

3. Material

Main unit: Rolled steel

Caster: Synthetic resin

Intended purpose

This product is intended for supporting the Traction Arm to attach it to the operating table, and also for storing and transporting.

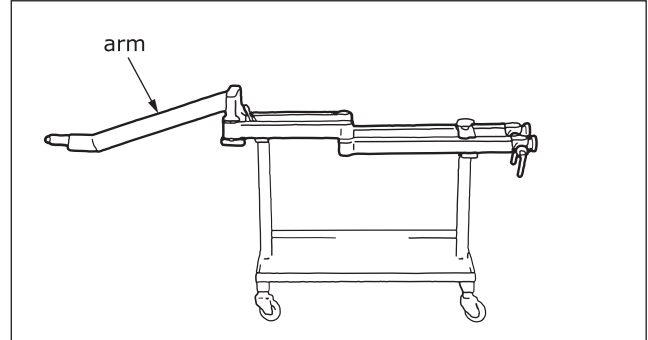
Intended user

This product is to be used by health care professionals, including but not limited to surgeons, nurses and biomedical technicians.

Instructions for use

1. Instructions for use

1-1. Attach the arm to the operating table.



1-2. Make sure that the attaching position of the arm is correct.

1-3. Loosen the handle of the Cart and raise the operating table tabletop.

1-4. Move the Cart away when the arm leaves the Cart.

2. Applicable operating table accessories

Refer to the brochure "OPERATING TABLE ACCESSORIES" of Mizuho.

Warning/Caution

1. Warning

1-1. Ensure all fixing handles are tight. Loose condition can cause the product to come off or move, which may result in a patient injury.

1-2. When moving the arm, carry it out with two or more persons. It may drop and cause damage or injury.

2. Important caution

2-1. Move the cart as soon as the arm leaves the cart, it will be an obstacle to surgery and radiography.

2-2. Do not place other accessories except the arm. We do not intend to use others.

Storage/Life

1. Do not store the device in high temperatures or in areas with high humidity where the temperature has drastic variations.

2. Service life of this product: 7 years

(Subject to the specified maintenance and inspection and is stored properly.)

Maintenance/Inspection

<By the user>

1. Check before and after use

Check that this product is not damaged or broken before and after each use.

2. Cleaning and disinfection

Wipe off blood, chemicals, contaminants, and other stains with water, and clean the device with gauze or other materials soaked in disinfectants. In addition, use the same disinfectants as the authorized disinfectants on Mizuho's operating table described in the operating table operator's manual.

3. In case of a malfunction

When this product is broken, clearly label the device as "Broken", "Do not use", "Need repair", etc., and contact your local distributor or Mizuho.

<By agents>

Maintenance and inspection can only be carried out by certified agents of Mizuho.

Packing

1 piece per package

Warranty

MIZUHO Corporation will repair defective parts of this product without charge for one year from the date of delivery/installment except for cases of damage caused by a third party's repair, acts of nature, improper use or intentional damage. All other warranty terms and conditions are subject to regulations of MIZUHO Corporation.

Disposal

This device must be disposed of in accordance with local regulations. Please contact your local distributor for proper disposal.

Notice

Any serious incident that has occurred in relation to the device should be reported to the manufacturer and the competent authority in which the user and / or patient is established.



MIZUHO Corporation
3-30-13 Hongo, Bunkyo-ku, Tokyo 113-0033 Japan
<https://www.mizuho.co.jp>