

## Instruction for Use

Trade Name: OB hand grips

### Contraindication/Prohibition

This product is only validated for use with Mizuho operating tables.

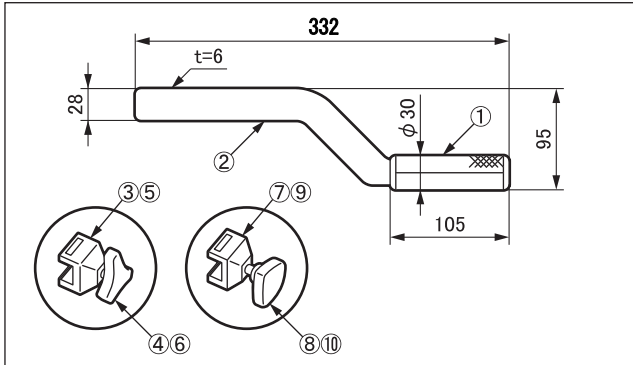
### Symbol mark for labeling

**MD** : Medical Device

### Specifications

#### 1. Shape

Unit: mm



Code No.	Product Description
08-114-00-UE	OB hand grips
08-117-02	Clamp for flat bar (R1) *1
08-117-10	Clamp for flat bar Ver. 2 (R1) *2
08-117-12	Clamp for flat bar (R2) *3
08-117-13	Clamp for flat bar Ver. 2 (R2) *4

\*1 and \*3/\*2 and \*4: The size of mountable side rail is different.

#### 2. Weight

08-114-00-UE: 0.5 kg/per piece

08-117-02, 08-117-12: 0.2 kg/per piece

08-117-10, 08-117-13: 0.4 kg/per piece

#### 3. Material

① Handle: PCV

② Support pole: Stainless steel

③⑤⑦⑨ Rail clamp: Stainless steel

④⑥ Fixing handle: Aluminum alloy, stainless steel

⑧⑩ Fixing handle: Synthetic resin, stainless steel

Note: The number corresponds to those used in 1. Shape.

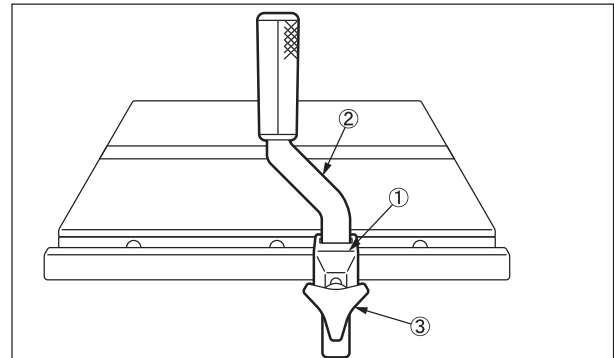
### Intended purpose

This is an accessory for the operating table. It is attached to the operating table with a rail clamp and used as a grip when moving the operating table.

### Intended user

This product is to be used by health care professionals, including but not limited to surgeons, nurses and biomedical technicians.

### Instructions for use



1. Attach the rail clamp① to the side rail of the operating table.
2. Attach the support pole② to the rail clamp①.
3. Adjust the position of the rail clamp① and tighten the fixing handle ③.

Note: The figure shows the Clamp for flat bar.

### Warning/Caution

#### 1. Warning

Ensure all fixing handles are tight. Loose condition can cause the product to come off or move, which may result in a patient injury.

#### 2. Important caution

2-1. When working with an operating table, take care not to allow this product to make contact or interfere with the table top or with other tools and appliances used in combination with this product. Otherwise the product could break.

2-2. For hygiene, be sure to use sterilized drapes on the areas on this product where the patient comes into contact with it.

### Storage/Life

1. Do not store the device in high temperatures or in areas with high humidity where the temperature has drastic variations.

2. Service life of this product: 7 years

(Subject to the specified maintenance and inspection and is stored properly.)

### Maintenance/Inspection

<By the user>

#### 1. Check before and after use

Check that this product is not damaged or broken before and after each use.

#### 2. Cleaning and disinfection

Wipe off blood, chemicals, contaminants, and other stains with water, and clean the device with gauze or other materials soaked in disinfectants. In addition, use the same disinfectants as the authorized disinfectants on Mizuho's operating table described in the operating table operator's manual.

#### 3. In case of a malfunction

When this product is broken, clearly label the device as "Broken", "Do not use", "Need repair", etc., and contact your local distributor or Mizuho.

<By agents>

Maintenance and inspection can only be carried out by certified agents of Mizuho.

**Packing**

1 piece per pack

**Warranty**

MIZUHO Corporation will repair defective parts of this product without charge for one year from the date of delivery/installment except for cases of damage caused by a third party's repair, act of nature, improper use or intentional damage. All other warranty terms and conditions are subject to regulations of MIZUHO Corporation.

**Disposal**

This device must be disposed of in accordance with local regulations. Please contact your local distributor for proper disposal.

**Notice**

Any serious incident that has occurred in relation to the device should be reported to the manufacturer and the competent authority in which the user and/or patient is established.



MIZUHO Corporation  
3-30-13 Hongo, Bunkyo-ku, Tokyo 113-0033, Japan  
<https://www.mizuho.co.jp>



EMERGO EUROPE  
Westervoortsedijk 60  
6827 AT Arnhem, The Netherlands