

Be sure to read this instruction manual before using this product.
Keep this manual available for reference when needed.

Instruction for Use

Trade Name: Side Rail Adaptor for Carbon Fiber Board

Warning

- When using operating table accessories, always pay close attention to the patient. Patients left in the same posture for an extended period of time are at risk for developing nerve paralysis and/or bedsores.
- When installing the head frame, use long type only.
It can be broken since it exceeds the allowable load of the short type specified at the **Specifications**, 3. Allowable load.

Contraindication/Prohibition

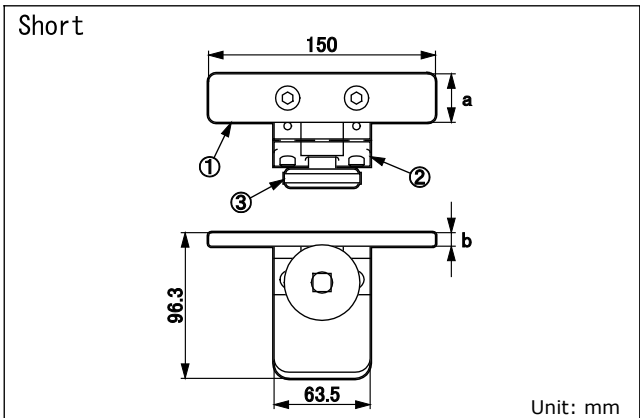
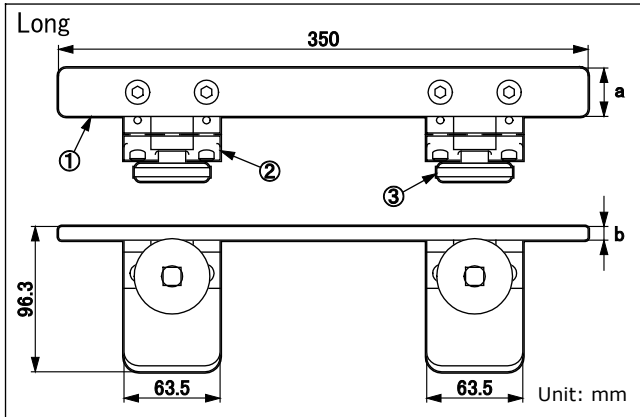
- Use only on the models listed **Instructions for use**, 2. Applicable operating tables and accessories.
- Do not exceed the allowable load specified in **Specifications**, 3. Allowable load. Otherwise the product could break.
- Do not use the short adaptor for any accessory other than the Locking Type Armboard or Anesthesia Frame. It cannot hold a heavy object.
- This product is only validated for use with Mizuho operating tables.

Symbol mark for labeling

MD : Medical Device

Specifications

1. Shape



Code No.	Product Description	a (mm)	b (mm)
08-113-10	Side Rail Adaptor II, Long for Carbon Fiber Board *1	32	9
08-113-10-R1	Side Rail Adaptor II, Long for Carbon Fiber Board (R1) *2	28.6	9.4
08-113-10-R2	Side Rail Adaptor II, Long for Carbon Fiber Board (R2) *3	25	10
08-113-11	Side Rail Adaptor II, Short for Carbon Fiber Board *4	32	9
08-113-11-R1	Side Rail Adaptor II, Short for Carbon Fiber Board (R1) *5	28.6	9.4
08-113-11-R2	Side Rail Adaptor II, Short for Carbon Fiber Board (R2) *6	25	10

*1, *2 and *3: The size of mountable side rail is different.
*4, *5 and *6: The size of mountable side rail is different.

2. Weight

Long: 1.8 kg
Short: 0.9 kg

3. Allowable load

Side Rail Adaptor II, Long for Carbon Fiber Board: 40 kg
Side Rail Adaptor II, Long for Carbon Fiber Board (R1): 40 kg
Side Rail Adaptor II, Long for Carbon Fiber Board (R2): 40 kg
Side Rail Adaptor II, Short for Carbon Fiber Board: 20 kg
Side Rail Adaptor II, Short for Carbon Fiber Board (R1): 20 kg
Side Rail Adaptor II, Short for Carbon Fiber Board (R2): 20 kg

4. Material

- ① Rail: Stainless steel
 - ② Clamp: Aluminum alloy
 - ③ Fixing handle: Aluminum alloy, Stainless steel
- Note: The number corresponds to those used in 1. Shape.

Intended purpose

This is an accessory for the operating table. This product is attachment which is fixed to the operating table top or accessory to attach other operating table accessory.

Intended user

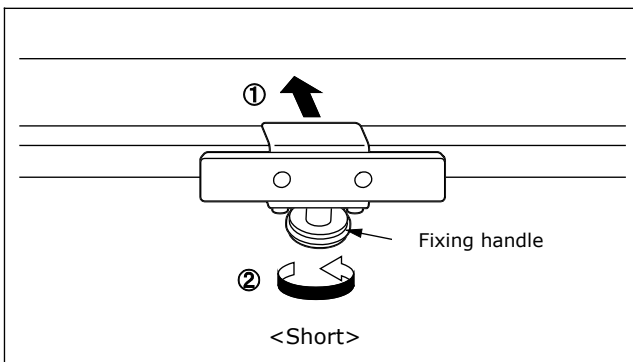
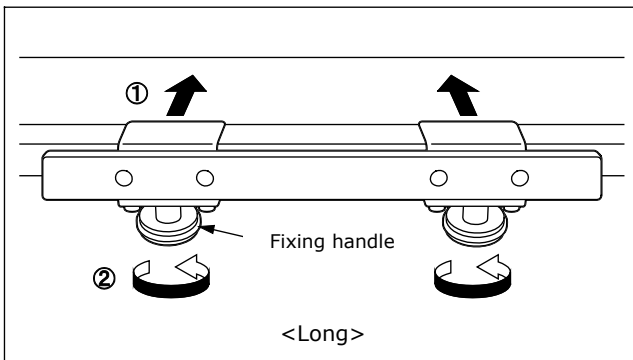
This product is to be used by health care professionals, including but not limited to surgeons, nurses and biomedical technicians.

Instructions for use

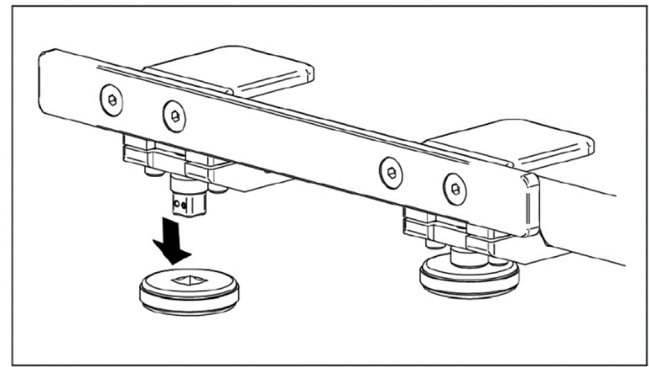
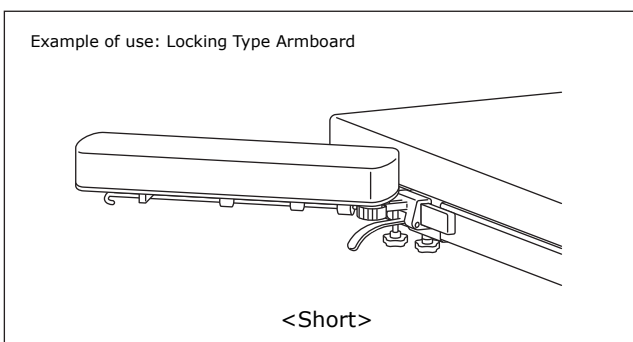
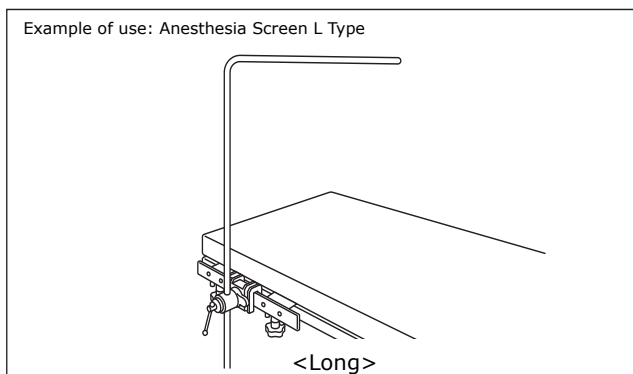
1. Instructions for use

1-1. Attach this product to the tabletop. (①)

1-2. Fix it by tightening the fixing handle. (②)



1-3. Attach the desired operating table accessory.



Note: If an accessory interferes with the fixing handles, the fixing handles can be detached by pulling them downwards.

For accessory attachment instructions, refer to the instruction sheet for each accessory.

2. Applicable operating tables and accessories

Refer to the brochure "OPERATING TABLE ACCESSORIES" of Mizuho.

Warning/Caution

1. Warning

Ensure all fixing handles are tight. Loose condition can cause the product to come off or move, which may result in a patient injury.

2. Important cautions

2-1. When working with an operating table, take care not to allow this product to make contact or interfere with the tabletop or with other tools and appliances used in combination with this product. Otherwise the product could break.

2-2. Avoid excessive load or strong impact. If any heavy load or large impact is applied to the accessory, it could damage the surgical table.

2-3. For hygiene, be sure to use sterilized drapes on the areas on this product where the patient comes into contact with it.

Storage/Life

1. Do not store the device in high temperature or in areas with high humidity with drastic temperature or humidity variations.

2. Service life of this product: 7 years

(Subject to the specified maintenance and inspection and is stored properly.)

Maintenance/Inspection

<By the user>

1. Check before and after use

Check that this product is not damaged or broken before and after each use.

2. Cleaning and disinfection

Wipe off blood, chemicals, contaminants, and other stains with water, and clean the device with gauze or other materials soaked in disinfectants. In addition, use the same disinfectants as the authorized disinfectants on Mizuho's operating table described in the operating table operator's manual.

3. In case of a malfunction

When this product is broken, clearly label the device as "Broken", "Do not use", "Need repair", etc., and contact your local distributor or Mizuho.

<By agents>

Maintenance and inspection can only be carried out by certified agents of Mizuho.

Packing

1 piece per pack

Warranty

MIZUHO Corporation will repair defective parts of this product without charge for one year from the date of delivery/installment except for cases of damage caused by a third party's repair, acts of nature, improper use or intentional damage. All other warranty terms and conditions are subject to regulations of MIZUHO Corporation.

Disposal

This device must be disposed of in accordance with local regulations. Please contact your local distributor for proper disposal.

Notice

Any serious incident that has occurred in relation to the device should be reported to the manufacturer and the competent authority in which the user and/or patient is established.



MIZUHO Corporation
3-30-13 Hongo, Bunkyo-ku, Tokyo 113-0033, Japan
<https://www.mizuho.co.jp>



EMERGO EUROPE
Westervoortsedijk 60
6827 AT Arnhem, The Netherlands