

Instruction for Use

Trade Name: Side Rail Adaptor for Carbon Fiber Board

Warning

1. When using operating table accessories, always pay close attention to the patient. Patients left in the same posture for an extended period of time are at risk of developing nerve paralysis and/or bedsores.
2. When installing the head frame, use long type only. It can be broken since it exceeds the allowable load of the short type specified at the **Specifications**, 3. Allowable load.

Contraindication/Prohibition

1. Use only on the models listed in **Instructions for use**, 2. Applicable operating tables and accessories.
2. Do not exceed the allowable load specified in **Specifications**, 3. Allowable load. Otherwise the product could break.
3. Short rail type may only be used for Locking Type Armboard or Anesthesia Screen frame. When using other accessory it could fall off and get damaged or result in a patient injury.
4. This product is only validated for use with Mizuho operating tables and accessories

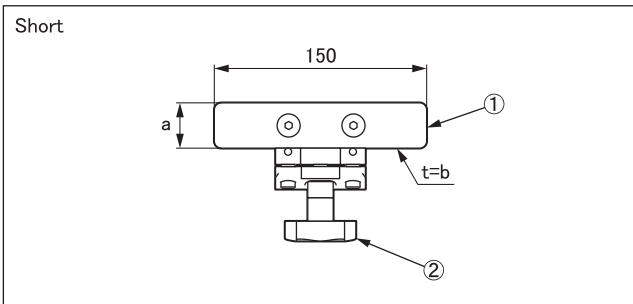
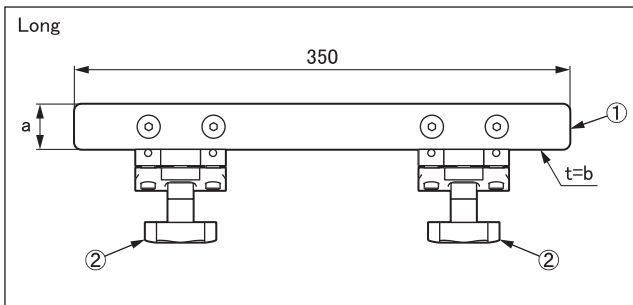
Symbol mark for labeling

MD : Medical Device

Specifications

1. Shape

Unit: mm



Code No.	Product Description	a	b
08-113-01	Side Rail Adaptor, Long for Carbon Fiber Board	32 mm	9 mm
08-113-01-R1	Side Rail Adaptor, Long for Carbon Fiber Board (R1)	28.6 mm	9.4 mm
08-113-01-R2	Side Rail Adaptor, Long for Carbon Fiber Board (R2)	25 mm	10 mm
08-113-02	Side Rail Adaptor, Short for Carbon Fiber Board	32 mm	9 mm
08-113-02-R1	Side Rail Adaptor, Short for Carbon Fiber Board (R1)	28.6 mm	9.4 mm

Code No.	Product Description	a	b
08-113-02-R2	Side Rail Adaptor, Short for Carbon Fiber Board (R2)	25 mm	10 mm

Note: "a" and "b" correspond to those used in 1. Shape.

2. Weight

Long: 1.8 kg
Short: 0.9 kg

3. Allowable load

Long: 40 kg
Short: 20 kg

4. Material

- ① Rail: Stainless steel
- ② Fixing handle: Stainless steel, synthetic resin

Note: The number corresponds to those used in 1. Shape.

Intended purpose

This is an accessory for the operating table. It is fixed to the tabletop of the operating table to attach other operating table accessories.

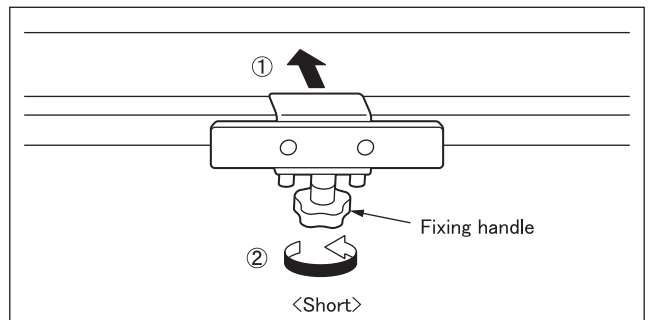
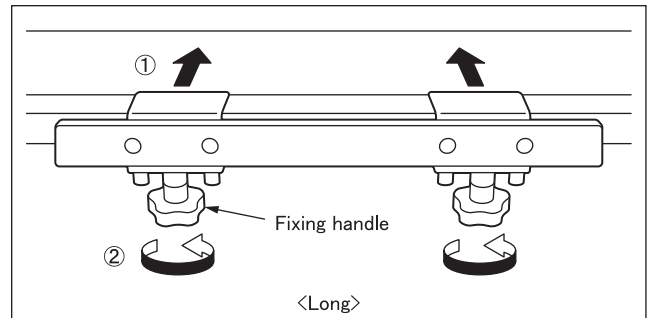
Intended user

This product is to be used by health care professionals, including but not limited to surgeons, nurses and biomedical technicians.

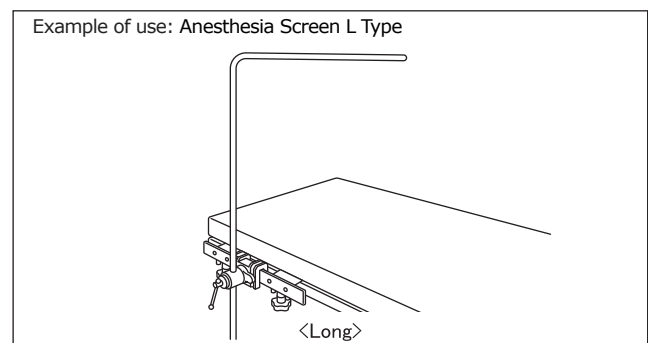
Instructions for use

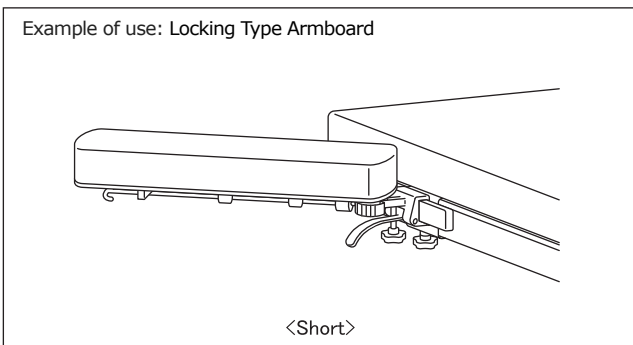
1. Instructions for use

- 1-1. Insert this product into the tabletop.
- 1-2. Fix it by tightening the fixing handle.



1-3. Attach the operating table accessories, etc.





For details of accessory, etc. attached to this product, refer to the instruction manual of each accessory.

- Applicable operating tables and accessories
Refer to the brochure "OPERATING TABLE ACCESSORIES" of Mizuho.

Warning/Caution

- Warning
Ensure all fixing handles are tight. Loose condition can cause the product to come off or move, which may result in a patient injury.
- Important caution
 - When working with an operating table, take care not to allow this product to make contact or interfere with the tabletop or with other tools and appliances used in combination with this product. Otherwise the product could break.
 - Avoid excessive load or strong impact. If any heavy load or large impact is applied to the accessory, etc., it could cause a "rebound" against the operating table.
 - For hygiene, be sure to use sterilized drapes on the areas on this product where the patient comes into contact with it.

Storage/Life

- Do not store the device in high temperatures or in areas with high humidity where the temperature has drastic variations.
- Service life of this product: 7 years
(Subject to the specified maintenance and inspection and is stored properly.)

Maintenance/Inspection

<By the user>

- Check before and after use
Check that this product is not damaged or broken before and after each use.
- Cleaning and disinfection
Wipe off blood, chemicals, contaminants, and other stains with water, and clean the device with gauze or other materials soaked in disinfectants. In addition, use the same disinfectants as the authorized disinfectants on Mizuho's operating table described in the operating table operator's manual.
- In case of a malfunction
When this product is broken, clearly label the device as "Broken", "Do not use", "Need repair", etc., and contact your local distributor or Mizuho.

<By agents>

Maintenance and inspection can only be carried out by certified agents of Mizuho.

Packing

1 piece per pack

Warranty

MIZUHO Corporation will repair defective parts of this product without charge for one year from the date of delivery/installment except for cases of damage caused by a third party's repair, act of nature, improper use or intentional damage. All other warranty terms and conditions are subject to regulations of MIZUHO Corporation.

Disposal

This device must be disposed of in accordance with local regulations. Please contact your local distributor for proper disposal.

Notice

Any serious incident that has occurred in relation to the device should be reported to the manufacturer and the competent authority in which the user and/or patient is established.



MIZUHO Corporation
3-30-13 Hongo, Bunkyo-ku, Tokyo 113-0033, Japan
<https://www.mizuho.co.jp>



EMERGO EUROPE
Westervoortsedijk 60
6827 AT Arnhem, The Netherlands