

## Instruction for Use

Trade Name: Adjustable Instrument Tray

### Contraindication/Prohibition

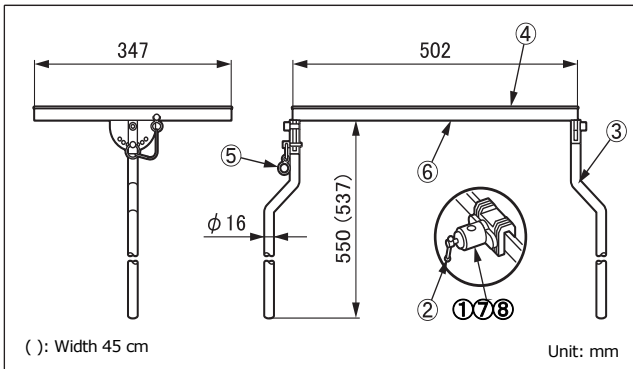
This product is only validated for use with Mizuho operating tables.

### Symbol mark for labeling

**MD** : Medical Device

### Specifications

#### 1. Shape



Code No.	Product Description	Components
08-098-01	Adjustable Instrument Tray with Clamp	①②③④⑤⑥
08-098-01-NC	Adjustable Instrument Tray (NC)	③④⑤⑥
08-110-01	Clamp for Round Bar *1	①②
08-117-09	Clamp for Round Bar (R1) *2	②⑦
08-117-11	Clamp for Round Bar (R2) *3	②⑧

Note: The number corresponds to those used in 1. Shape.

\*1, \*2 and \*3: The size of mountable side rail is different.

#### 2. Material

- ①⑦⑧ Rail clamp: Stainless steel
- ② Fixing handle: Stainless steel
- ③ Support pole: Stainless steel
- ④ Instrument tray: Stainless steel
- ⑤ Angle adjustable pin: Stainless steel
- ⑥ Frame: Stainless steel

Note: The number corresponds to those used in 1. Shape.

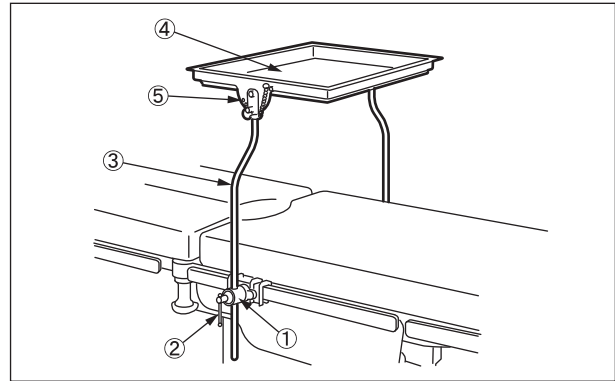
### Intended purpose

This is an accessory for the operating table. A shelf which can be mounted to the side rail. Attach the rail clamp to the both side rail of the operating table. The angle of the tray can be adjusted depending on the intended use.

### Intended user

This product is to be used by health care professionals, including but not limited to surgeons, nurses and biomedical technicians.

### Instructions for use



- ① Rail clamp
- ② Fixing handle
- ③ Support pole
- ④ Instrument tray
- ⑤ Angle adjustable pin

1. Attach the rail clamp① to the side rail of the operating table.
2. Insert the support pole③ into the rail clamp①.
3. Turn the fixing handle② to adjust and fix the support pole.
4. Attach the instrument tray④.
5. Adjust the angle with the angle adjustable pin⑤ as necessary.  
(Angle can be adjusted with 15 degrees increments up to 45 degrees.)

### Warning/ Caution

1. Warning
  - Ensure all fixing handles are tight. Loose condition can cause the product to come off or move, which may result in a patient injury.
2. Important caution
  - 2-1. When working with an operating table, take care not to allow this product to make contact or interfere with the tabletop or with other tools and appliances used in combination with this product. Otherwise the product could break.
  - 2-2. For hygiene, be sure to use sterilized drapes on the areas on this product where the patient comes into contact with it.

### Storage/ Life

1. Do not store the device in high temperatures or in areas with high humidity where the temperature has drastic variations.
2. Service life of this product: 7 years  
(Subject to the specified maintenance and inspection and is stored properly.)

### Maintenance/ Inspection

<By the user>

1. Check before and after use
  - Check that this product is not damaged or broken before and after each use.
2. Cleaning and disinfection
  - Wipe off blood, chemicals, contaminants, and other stains with water, and clean the device with gauze or other materials soaked in disinfectants. In addition, use the same disinfectants as the authorized disinfectants on Mizuho's operating table described in the operating table operator's manual.
3. In case of a malfunction
  - When this product is broken, clearly label the device as "Broken", "Do not use", "Need repair", etc., and contact your local distributor or Mizuho.

<By agents>

Maintenance and inspection can only be carried out by certified agents of Mizuho.

**Packing**

1 piece per pack

**Warranty**

MIZUHO Corporation will repair defective parts of this product without charge for one year from the date of delivery/installment except for cases of damage caused by a third party's repair, act of nature, improper use or intentional damage. All other warranty terms and conditions are subject to regulations of MIZUHO Corporation.

**Disposal**

This device must be disposed of in accordance with local regulations. Please contact your local distributor for proper disposal.

**Notice**

Any serious incident that has occurred in relation to the device should be reported to the manufacturer and the competent authority in which the user and/or patient is established.



MIZUHO Corporation  
3-30-13 Hongo, Bunkyo-ku, Tokyo 113-0033, Japan  
<https://www.mizuho.co.jp>



EMERGO EUROPE  
Westervoortsedijk 60  
6827 AT Arnhem, The Netherlands