



Kidney Bridge Operator's Manual

Table of Contents

1. Introduction.....	2
2. Component.....	3
3. Instructions for use	4
4. Maintenance/Inspection	5
5. Specifications	6

This product is designed for medical operations. Using this product for any other purpose other than this intended use may cause serious injury.

The operator and the person in charge of the maintenance of this product must read this operator's manual thoroughly and understand the contents before operating, inspecting, adjusting and maintaining it.

Keep this manual for reference in a place where is readily accessible.

1. Introduction

1-1. Intended purpose

This is an accessory for the operating table. This product is used to set prone position or other operating position for kidney and gallbladder surgery. This accessory is used for supporting obese patients.

1-2. Intended user

This product is to be used by health care professionals, including but not limited to surgeons, nurses and biomedical technicians.

1-3. Warning/Caution

This manual contains information for safely and effectively using this product. Before operating this product, read this manual thoroughly to understand how to operate and inspect the product. Failure to follow these instructions could lead to serious injury.



WARNING

If these indications are ignored and the product is incorrectly used, serious injury or death may result.

- When using operating table accessories, always pay close attention to the patient. Patients left in the same posture for an extended period of time are at risk for developing nerve paralysis and/or bedsores.
 - Ensure all fixing handles are tight. Loose condition can cause the product to come off or move, which may result in a patient injury.
-



CAUTION

If these indications are ignored and the product is incorrectly used, injury and/or damage to property may result.

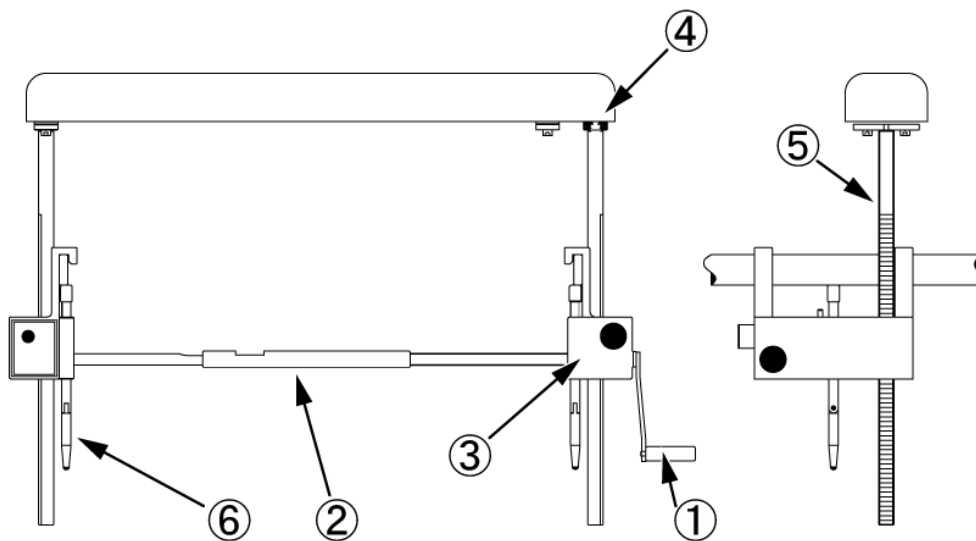
- This product is only validated for use with Mizuho operating tables.
 - When working with the operating table, take care not to allow this product to make contact or interfere with the tabletop or with other tools and appliances used in combination with this product. Otherwise the product could break.
 - For hygiene, be sure to use sterilized drapes on the areas on this product where the patient comes into contact with it.
-

1-4. Symbol mark for labeling

MD : Medical Device

2. Component

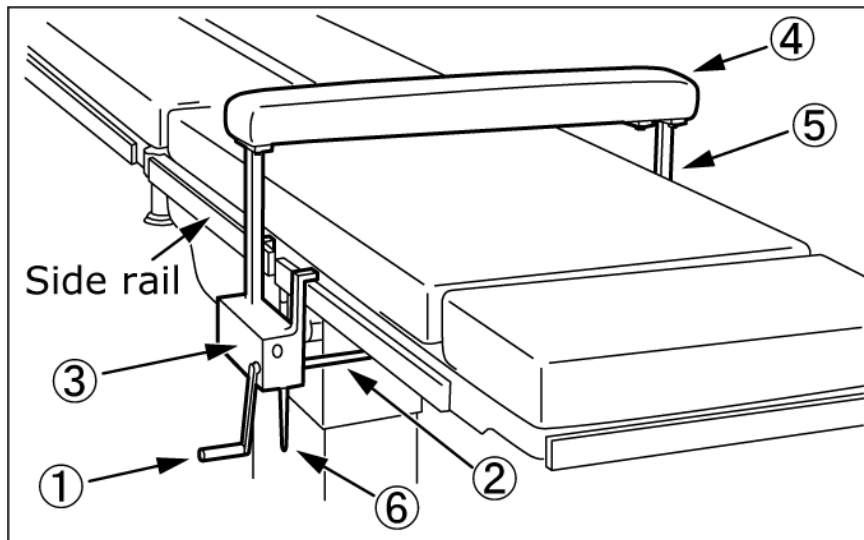
The components of this product are as follow.



	Component	Material
①	Handle	Stainless steel
②	Interlocking shaft	Stainless steel
③	Gear box	Stainless steel
④	Kidney bridge	Polyurethane
⑤	Support pole	Stainless steel
⑥	Rail clamp	Stainless steel

3. Instructions for use

The following describes how to attach, detach and operate this product.



1. While sliding the hook on the Gear box③ horizontally, clip it onto the side rail of the operating table.
2. Move this product to a desired position.
3. Attach the Kidney bridge④ to the Support poles⑤.
4. Tighten the Rail clamps⑥ on both sides to fix the Gear boxes③ to the side rails.
5. Attach the Handle① to the Gear box③.
6. Adjust the height of the Kidney bridge④ by turning the Handle①.
7. After use, detach Kidney bridge④ from the Support poles⑤. Loosen the Rail clamps⑥ and detach the Gear boxes③ from the side rails.

[Operating principle]

When turning the Handle①, the gear integrated with the Handle① inside the Gear box③ turns the gear that meshes. This gear meshes with the rack that is integrated with the Kidney bridge④, and when the Handle① is turned, the rack moves and the Kidney bridge④ moves up and down.

* Maximum elevation height: 270 mm

4. Maintenance/Inspection

4-1. Check before and after Use

- Check that this product is not damaged or broken before and after each use.

4-2. Cleaning and Disinfection

- After using this product, make sure to follow the steps below to clean up and disinfect this product.
 - a) Detach this product from the operating table.
 - b) Use a lint-free cloth soaked with proper volume of disinfectant to wipe off the upper, side, and back side of the surface of the product.
 - c) Wipe off this product with a clean dry cloth within 15 minutes after disinfecting it.
- Make sure to use Mizuho authorized disinfectants. The disinfectants are as shown below.

■ Disinfectants

Authorized disinfectants are as shown below.

	Disinfectant name	Concentration
a	Sodium hypochlorite	0.1%
b	Hypo Alcohol	10%
c	Chlorhexidine gluconate	0.5%
d	Benzalkonium chloride	10%
e	Ethanol	80%
f	Isopropyl alcohol	99.5%

4-3. Repair and Maintenance

- When this product is broken, clearly label the device as “Broken”, “Do not use”, “Need repair”, etc., and contact your local dealer or Mizuho.
- Only Mizuho or its certified agents can provide repair and maintenance services of this product. Services by other agents could cause adverse events and/or deterioration of the performance and functions.

4-4. Warranty

- MIZUHO Corporation will repair defective parts of this product without charge for one year from the date of delivery / installment except for cases of damage caused by a third party’s repair, act of nature, improper use or intentional damage. All other warranty terms and conditions are subject to regulations of MIZUHO Corporation.

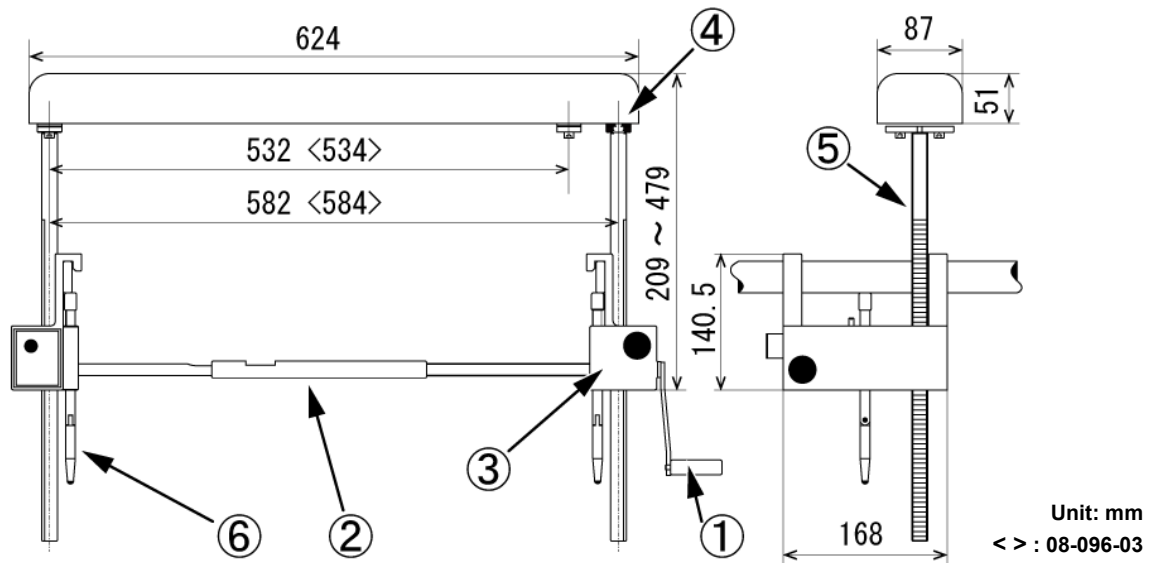
4-5. Disposal

This device must be disposed of in accordance with local regulations. Please contact your local distributor for proper disposal.

4-6. Notice

Any serious incident that has occurred in relation to the device should be reported to the manufacturer and the competent authority in which the user and/or patient is established.

5. Specifications



Code No.	Product Description	Weight (kg)	Component	Dimension of attachable side rail Thickness x Height (mm)
08-096-02	Kidney Bridge with Pad	9.0	①~⑥	9×32
08-096-03	Kidney Bridge with Pad (R2)	9.0	①~⑥	10×25

Operating environment	Temperature	10 to 40 °C (50 to 104 °F)
	Humidity	30 to 75 %
	Atmospheric pressure	700 to 1060 hPa
Transportation and storage environment	Temperature	-10 to 50 °C (14 to 122 °F)
	Humidity	10 to 85 %
	Atmospheric pressure	700 to 1060 hPa
Service life	7 years (Subject to the specified maintenance and inspection and is stored properly.)	





Sales Agent



EMERGO EUROPE

Westervoortsedijk 60
6827 AT Arnhem, The Netherlands



MIZUHO Corporation

3-30-13 Hongo, Bunkyo-ku
Tokyo 113-0033, Japan
<https://www.mizuho.co.jp>