

Be sure to read this instruction manual before using this product.
 Keep this manual available for reference when needed.



Instruction for Use

Trade Name: Uro Drain Tray Set

Contraindication/Prohibition

1. Use only on the specified operating table. It cannot attach if the external form and the measurement of drain tray mount are different.
2. This product is only validated for use with Mizuho operating tables.

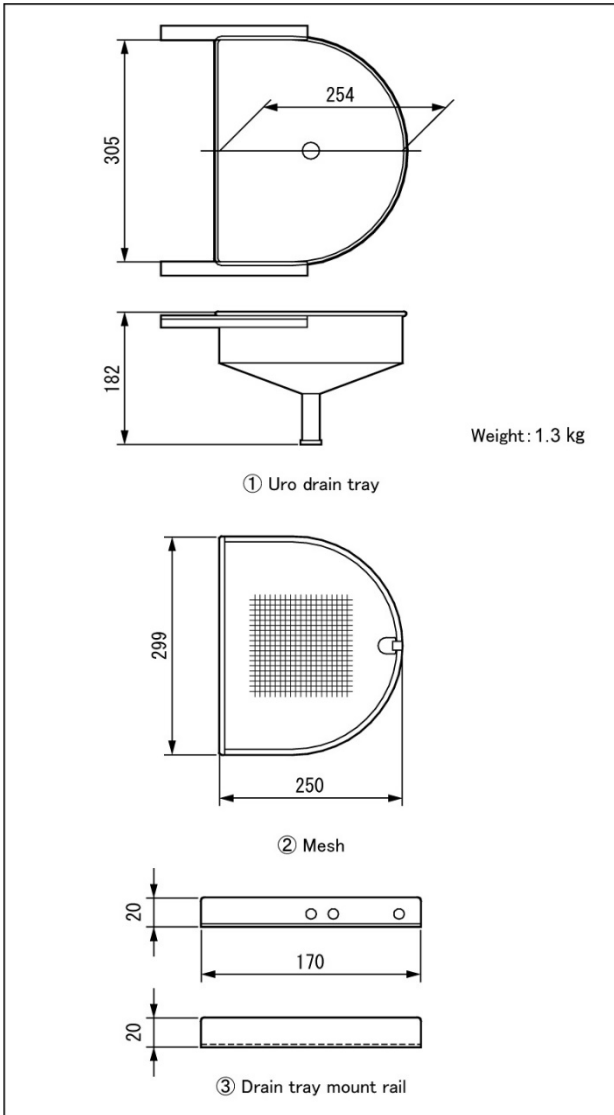
Symbol mark for labeling

MD : Medical Device

Specifications

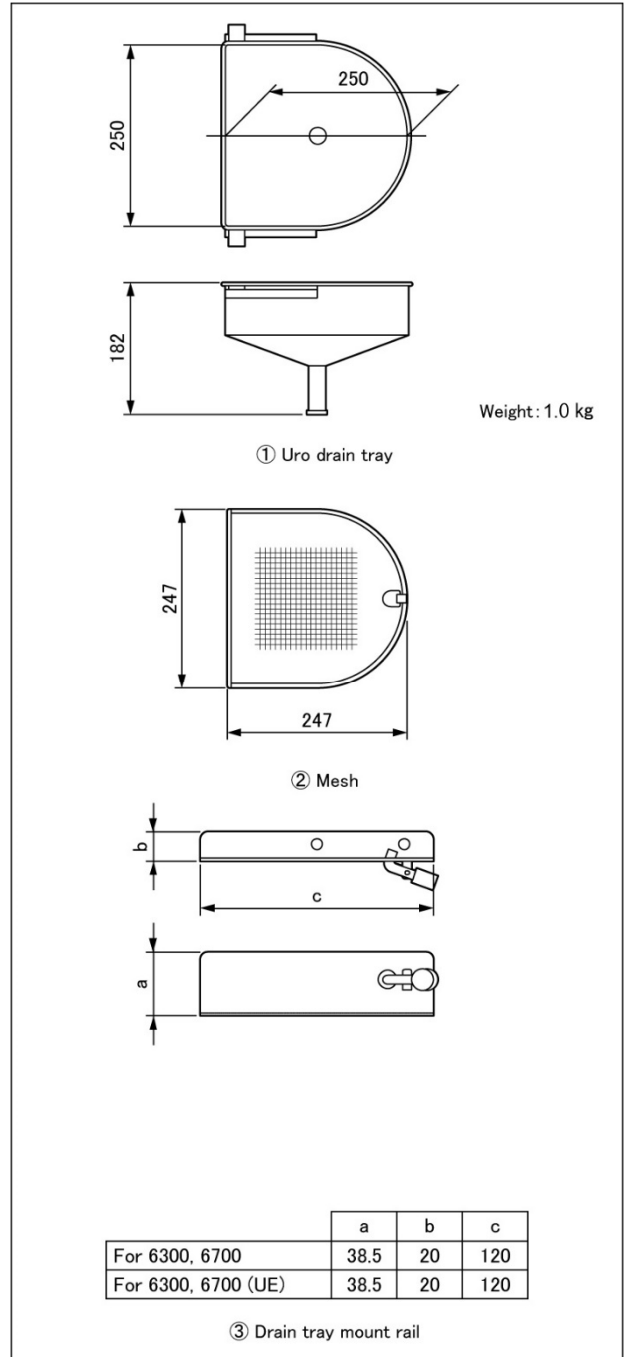
1. Shape

Unit: mm



Code No.	Product Description	Components
08-095-08	Uro Drain Tray Set for 5602SRMB	①②③④⑤

Unit: mm

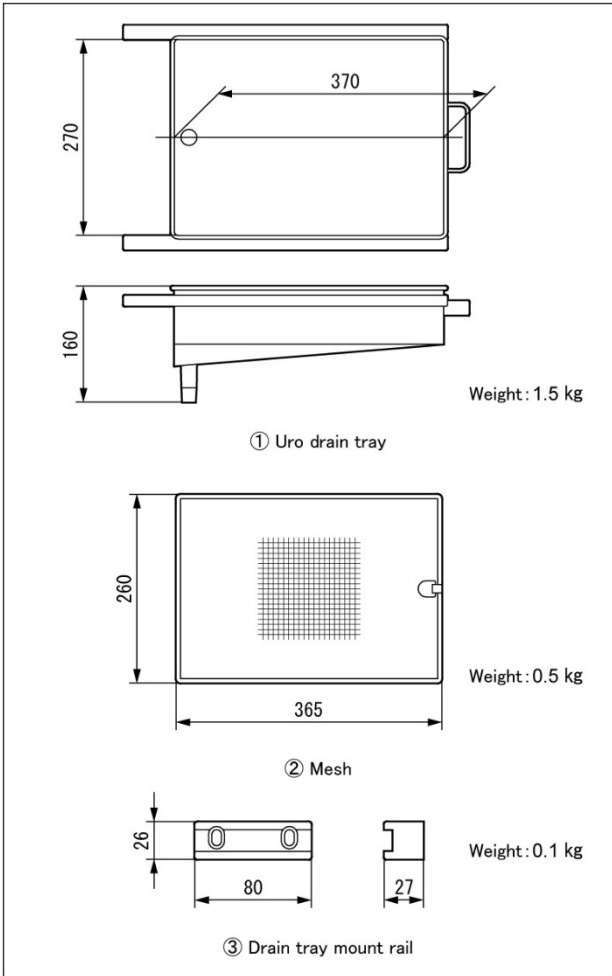


	a	b	c
For 6300, 6700	38.5	20	120
For 6300, 6700 (UE)	38.5	20	120

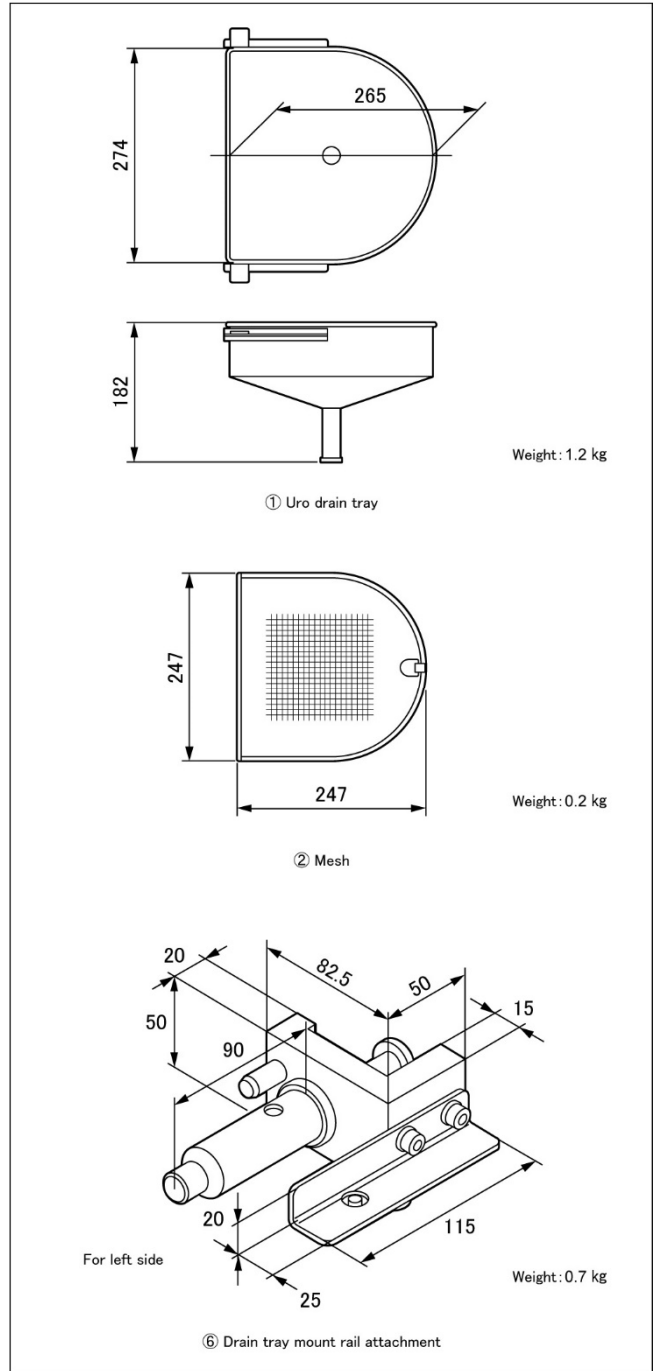
Code No.	Product Description	Components
08-095-16	Uro Drain Tray Set for 6300 & 6700 Series	①②③④⑤
08-095-16-UE	Uro Drain Tray for 6300 & 6700 Series (UE)	①②③④⑤

Note: 08-095-20, which is listed as Common parts on the later page, is not included in 09-095-16-UE.

Unit: mm



Unit: mm

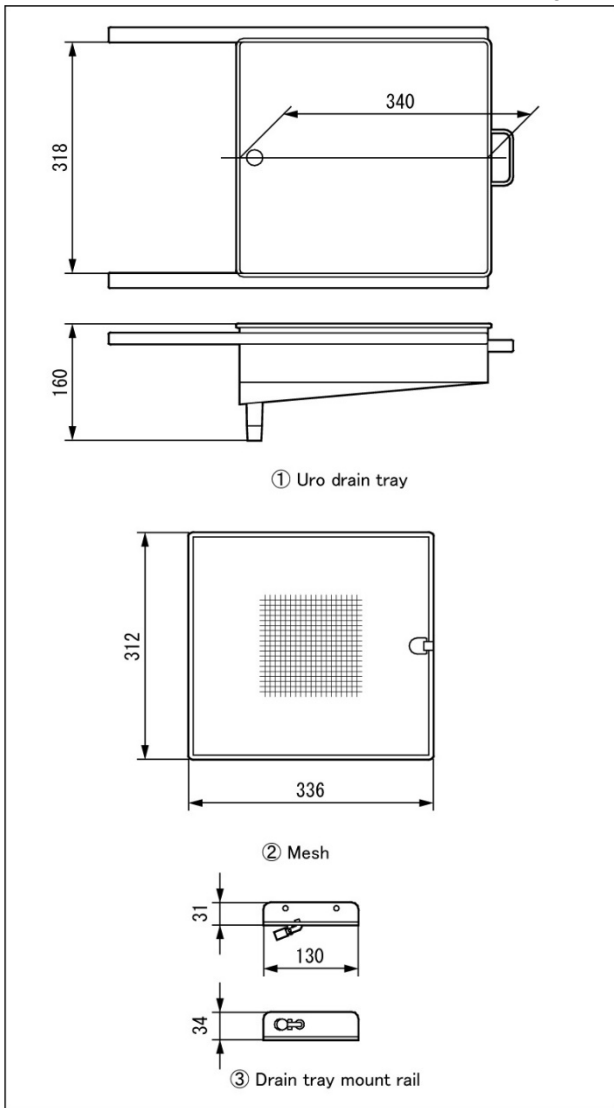


Code No.	Product Description	Components
08-095-13	Uro Drain Tray Set for 3600 & 3500 Series, 5801	①②③④⑤
08-095-13-UE	Uro Drain Tray for 3600 & 3500 Series (UE)	①②③④⑤

Note: 08-095-20, which is listed as Common parts on the later page, is not included in 09-095-16-UE.

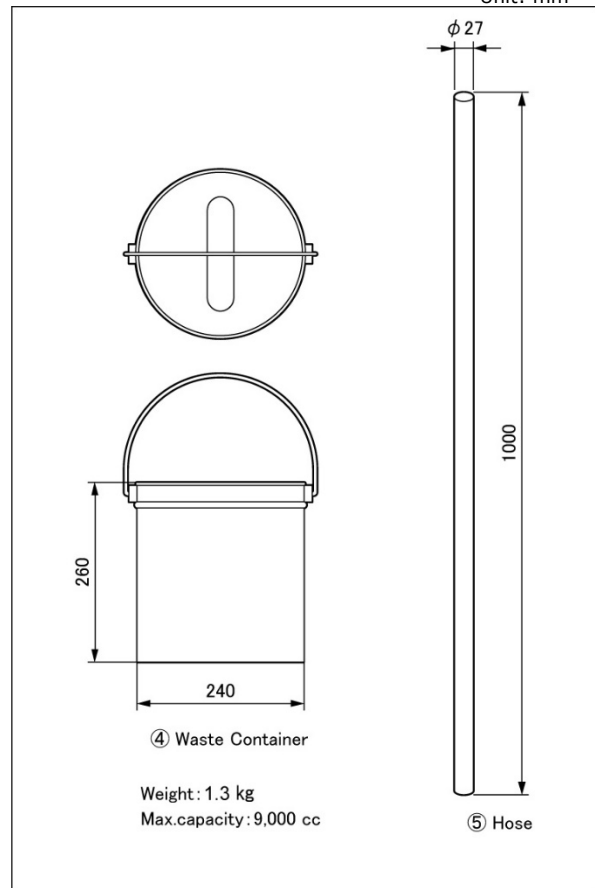
Code No.	Product Description	Components
08-095-15	Uro Drain Tray Set for 5701	①②④⑤⑥

Unit: mm



Code No.	Product Description	Components
08-095-45-UE	Uro Drain Set	①②③④⑤

Unit: mm



Common parts (Waste container, hose)

Code No.	Product Description	Components
08-095-20	Waste Container with Hose	④⑤

2. Material

- ① Uro Drain tray: Stainless steel
- ② Mesh: Stainless steel
- ③ Drain tray mount rail: Stainless steel
- ④ Waste container: Stainless steel
- ⑤ Hose: Nylon
- ⑥ Drain tray mount rail attachment: Stainless steel, Aluminum alloy

Note: The numbers correspond to those in 1. Shape.

Intended purpose

This is an accessory for the operating table. This device is used for the surgical washing in the urology, gynecology, etc. A fine mesh sieve is used in the Drain tray in order to prevent a splash of washing liquid and trap foreign matters. Attach the Drain tray to the Drain tray mount rail which is fixed to the operating table with screws.

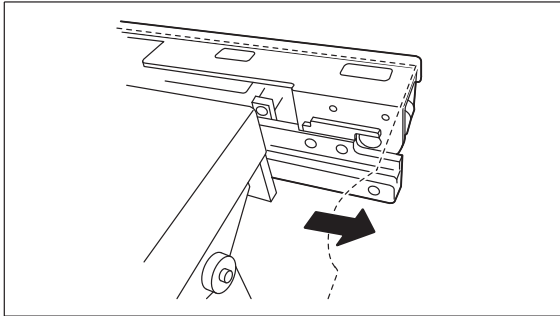
Intended user

This product is to be used by health care professionals, including but not limited to surgeons, nurses and biomedical technicians.

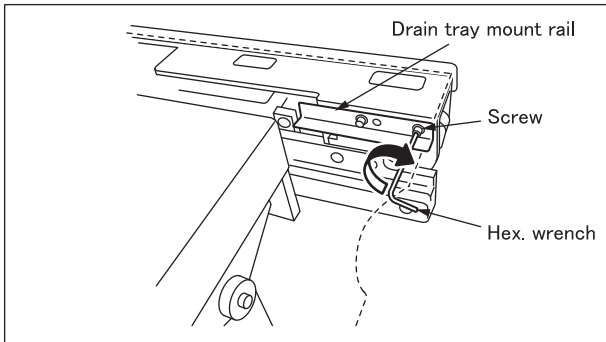
Instructions for use

<For 5602SRMB, for 3600 & 3500 Series, 5801, for 3600 & 3500 Series (UE)>

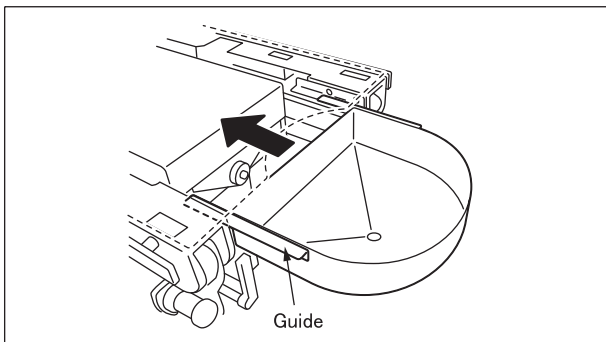
1. Attaching the drain tray
(Figure shows the one for 5602SRMB)



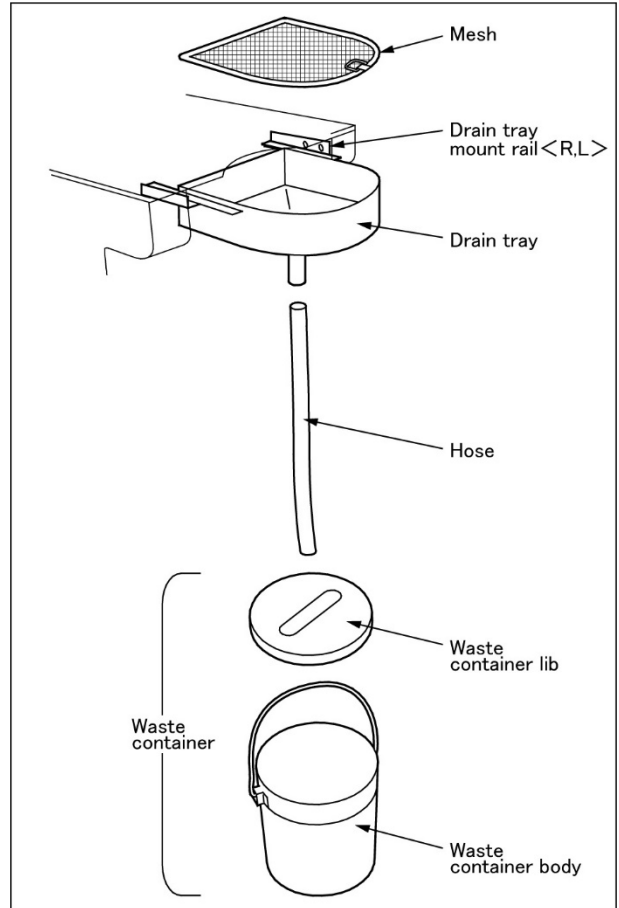
1-1. Slide to the leg side till a space to attach the drain tray mount rail is obtained.



1-2. Attach the drain tray mount rail on the operating table using hex. wrench and screws.



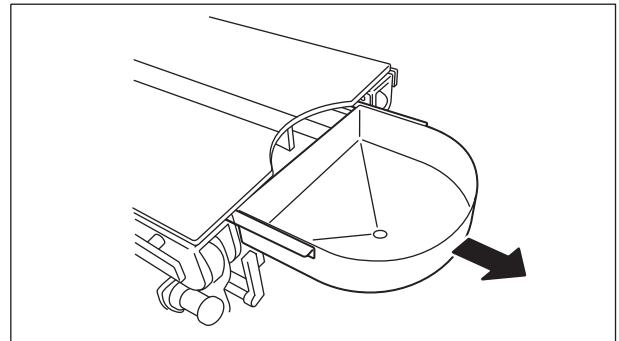
1-3. Aligning the drain tray guides (R, L) to the drain tray mount rail, and insert the drain tray until it stops.



1-4. Attach the mesh, the hose and the waste container to the drain tray.

2. Detaching the drain tray
(Figure shows the one for 5602SRMB)

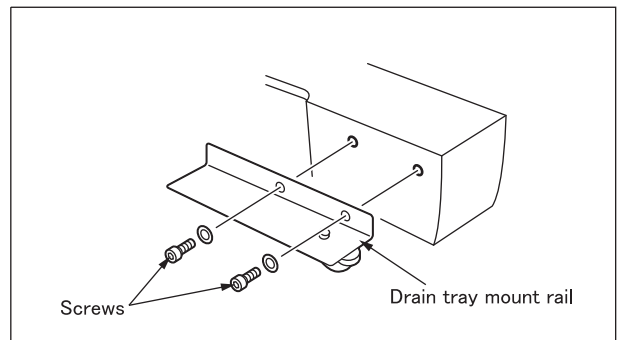
- 2-1. Detach the mesh, the hose and the waste container from the drain tray.



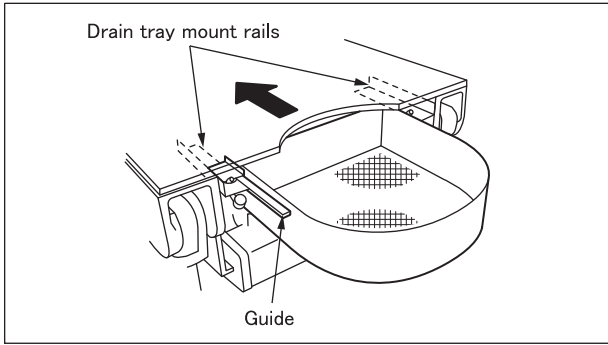
2-2. Pull the drain tray to this side.

<For 6300 & 6700 Series, for 6300 & 6700 Series (UE)>

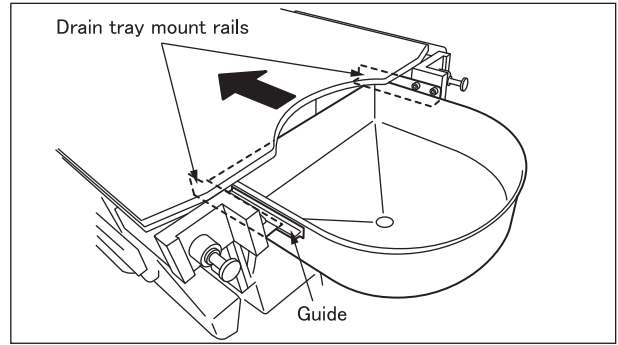
1. Attaching the drain tray



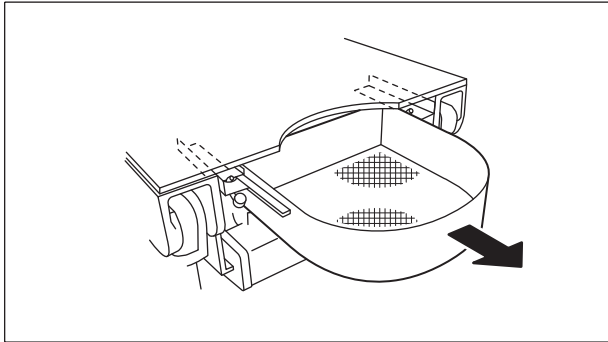
1-1. Attach the drain tray mount rail to the operating table using hex. wrench and screws.



1-2. Aligning the drain tray guides (R, L) to the drain tray mount rail, and insert the drain tray.



1-2. Aligning the drain tray guides (R, L) to the drain tray mount rail attachment, and insert the drain tray.

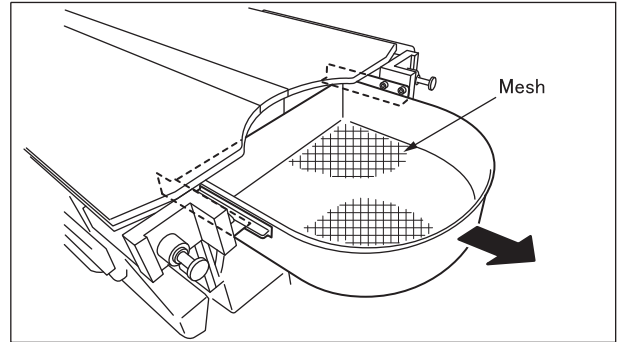


1-3. Pull the drain tray to this side to confirm that the drain tray is fixed with the stopper.
1-4. Attach the mesh, the hose and the waste container to the drain tray.

Note: Figure is abbreviated because it is same as for 5602SRMB.

2. Detaching the drain tray

2-1. Detach the mesh, the hose and the waste container from the drain tray.

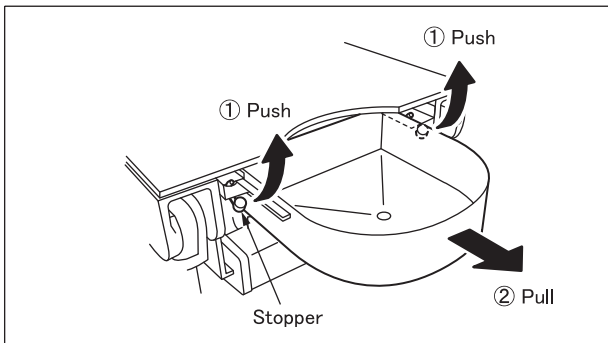


1-3. Pull the drain tray main unit to this side to confirm that the drain tray is fixed with the stopper.
1-4. Attach the mesh, the hose and the waste container to the drain tray.

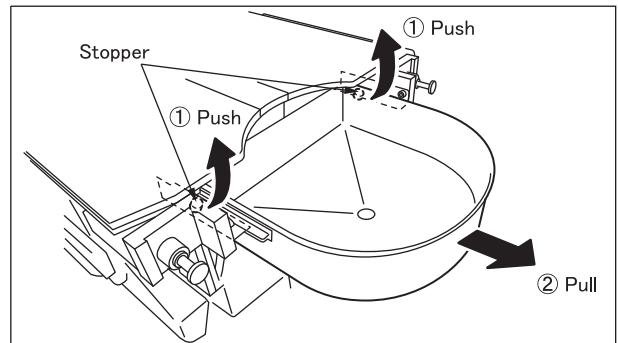
Note: Figure is abbreviated because it is same as for 5602SRMB.

2. Detaching the drain tray

2-1. Detach the mesh, the hose and the waste container from the drain tray.



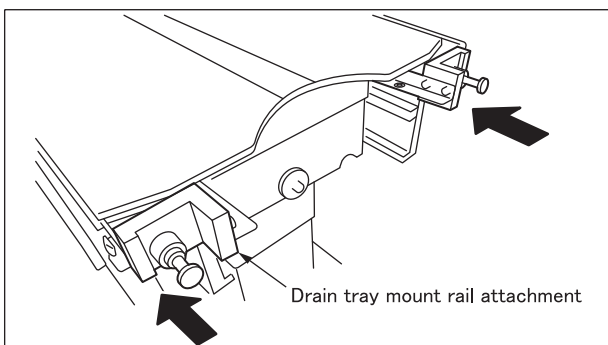
2-2. While pressing the drain tray mount rail stoppers, pull the drain tray to this side.



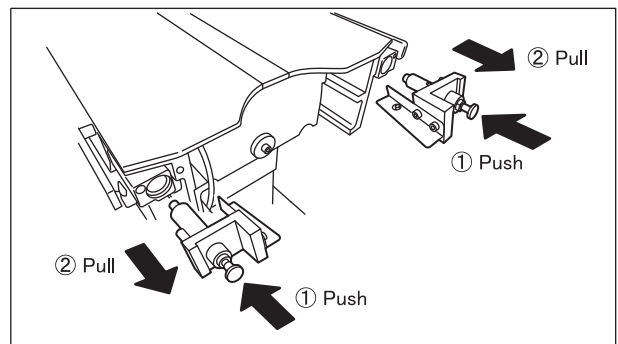
2-2. While pressing the drain tray mount rail stoppers, pull the drain tray to this side.

<For 5701>

1. Attaching the drain tray



1-1. Attach the drain tray mount rail attachment in the leg section reception holes at both sides of operating table.



2-3. While pressing the knobs of the drain tray mount rail attachment, pull the attachment to this side to remove.

Warning/Caution

Important caution

1. When working with an operating table, take care not to allow this product to make contact or interfere with the tabletop or with other tools and appliances used in combination with this product. Otherwise the product could break.
2. Where the operating table has the slide function (see below), do not slide the tabletop to the head direction or operate reverse Trendelenburg or Trendelenburg (See Note.) while the drain tray is attached. The drain tray may be detached or damaged.
(For 5602SRMB, for 3600 & 3500 Series, 5801, for 5701)
Note: Trendelenburg is for 5701.
3. Do not push in the drain tray to the elevation column side over the position of the drain tray mount rail stoppers. The drain tray may be detached. (08-095-15)
4. For hygiene, be sure to use sterilized drapes on the areas on this product where the patient comes into contact with it.

Storage/Life

1. Do not store the device in high temperature or in areas with high humidity with drastic temperature or humidity variations.
2. Service life of this product: 7 years
(Subject to the specified maintenance and inspection and is stored properly.)

Maintenance/Inspection

<By the user>

1. Check before and after use
Check that this product is not damaged or broken before and after each use.
2. Cleaning and disinfection
Wipe off blood, chemicals, contaminants, and other stains with water, and clean the device with gauze or other materials soaked in disinfectants. In addition, use the same disinfectants as the authorized disinfectants on Mizuho's operating table described in the operating table operator's manual.
3. In case of malfunction
When this product is broken, clearly label the device as "Broken", "Do not use", "Need repair", etc., and contact your local distributor or Mizuho.

<By agents>

Maintenance and inspection can only be carried out certified agents of Mizuho.

Packing

<For 5602SRMB >

Uro drain tray and mesh: 1 piece per package
Drain tray mount rail: 1 each for right and left 1 package
Common parts: 1 piece per package

<For 6300 & 6700 Series >

Uro drain tray and mesh: 1 piece per package
Drain tray mount rail: 1 each for right and left 1 package
Common parts: 1 piece per package

<For 6300 & 6700 Series (UE) >

Uro drain tray and mesh: 1 piece per package
Drain tray mount rail: 1 each for right and left 1 package

<For 3600 & 3500 Series,5801>

Uro drain tray and mesh: 1 piece per package
Drain tray mount rail: 1 each for right and left 1 package
Common parts: 1 piece per package

<For 3600 & 3500 Series (UE)>

Uro drain tray and mesh: 1 piece per package
Drain tray mount rail: 1 each for right and left 1 package

<For 5701>

Uro drain tray and mesh: 1 piece per package
Drain tray mount rail attachment: 1 each for right and left 1 package
Common parts: 1 piece per package

<Uro Drain Set >

1 set per package

Warranty

MIZUHO Corporation will repair defective parts of this product without charge for one year from the date of delivery/installment except for cases of damage caused by a third party's repair, acts of nature, improper use or intentional damage. All other warranty terms and conditions are subject to regulations of MIZUHO Corporation.

Disposal

This device must be disposed of in accordance with local regulations. Please contact your local distributor for proper disposal.

Notice

Any serious incident that has occurred in relation to the device should be reported to the manufacturer and the competent authority in which the user and/or patient is established.



MIZUHO Corporation
3-30-13 Hongo, Bunkyo-ku, Tokyo 113-0033, Japan
<https://www.mizuho.co.jp>



EMERGO EUROPE
Westervoortsedijk 60
6827 AT Arnhem, The Netherlands