

Instruction for Use

Trade Name: Radiographic Tops Fixed Type

Contraindication/Prohibition

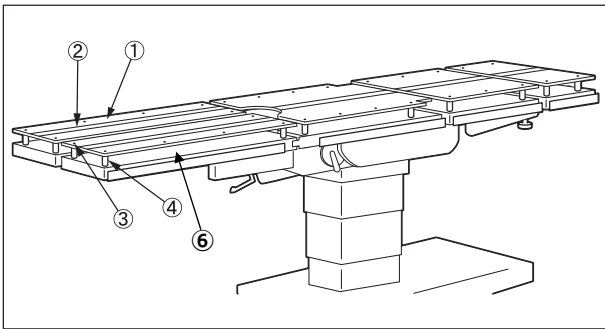
1. This product is only validated for use with Mizuho operating tables.
2. Do not soak the cassette board in ethanol-based disinfectant for a long time. Doing so may damage this product.

Symbol mark for labeling

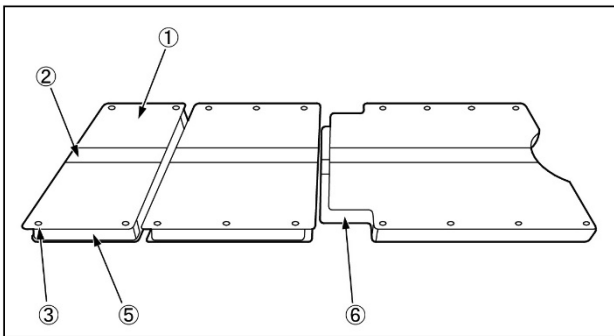
MD : Medical Device

Specifications

1. Shape



Radiographic Table Tops Fixed Type *1



Radiographic Table Tops Fixed Type for Type N *1

Code No.	Product Description	Components
08-089-18	Radiographic Tops for 7300 Series	①②③④
08-089-40	Radiographic Table Tops Fixed Type for Type A	①②③④
08-089-41	Radiographic Table Tops Fixed Type for Type AK	①②③④
08-089-50	Digital Radiographic Table Tops Fixed Type for Type A *2	①②③④⑤
08-089-51	Digital Radiographic Table Tops Fixed Type for Type AK *2	①②③④⑤
08-089-65	Digital X-Ray Top Set 3503	①②③④
08-089-66	Digital X-Ray Top Set 3603	①②③④
08-089-72	Radiographic Table Tops Fixed Type for 5602BW	①②③④
08-089-74	Radiographic Table Tops Fixed Type for 1300 Series *3	①②③④⑤
08-089-76	Radiographic Table Tops Fixed Type for 7300 Series	①②③④

Code No.	Product Description	Components
08-089-82	Digital Radiographic Table Tops Fixed Type for 5602BW *2	①②③④⑤
08-089-86	Digital Radiographic Table Tops Fixed Type for 7300 Series	①②③⑤
08-089-92	Phenolic Board for Radiographic Table Tops Fixed Type for 5602BW	⑥
08-089-94	Phenolic Board for Radiographic Table Tops Fixed Type for 1300 Series	⑥
08-089-96	Phenolic Board for Radiographic Table Tops Fixed Type for 7300 Series	⑥
18-090-00	Radiographic Table Tops Fixed Type for Head Section Type A	①②③④
18-090-10	Radiographic Table Tops Fixed Type for Back Section Type A	①②③④
18-090-20	Radiographic Table Tops Fixed Type for Seat Section Type A	①②③④
18-090-50	Radiographic Table Tops Fixed Type for Double Leg Section Type A	①②③④
18-090-51	Radiographic Table Tops Fixed Type for Double Leg Section Type B	①②③④
18-090-60	Radiographic Table Tops Fixed Type for Single Leg Section Type A	①②③④
18-090-61	Radiographic Table Tops Fixed Type for Single Leg Section Type A-II	①②③④
18-091-00	Digital Radiographic Table Tops Fixed Type for Head Section Type A	①②③⑤
18-091-10	Digital Radiographic Table Tops Fixed Type for Back Section Type A	①②③⑤
18-091-20	Digital Radiographic Table Tops Fixed Type for Seat Section Type A	①②③⑤
18-091-60	Digital Radiographic Table Tops Fixed Type for Single Leg Section Type A	①②③⑤
18-091-61	Digital Radiographic Table Tops Fixed Type for Single Leg Section Type A-II	①②③⑤
18-092-10	Radiographic Table Tops Fixed Type for Back Section Type KA	①②③④
18-092-20	Radiographic Table Tops Fixed Type for Seat Section Type KA	①②③④
18-092-21	Radiographic Table Tops Fixed Type for Seat Section Type KB	①②③④
18-093-10	Digital Radiographic Table Tops Fixed Type for Back Section Type KA	①②③⑤
18-093-20	Digital Radiographic Table Tops Fixed Type for Seat Section Type KA	①②③⑤
18-093-21	Digital Radiographic Table Tops Fixed Type for Seat Section Type KB	①②③⑤

*1: The figure shows an installation example for each component.

*2: ④Leg section/⑤Head section, back section and seat section

*3: ④Seat section and leg section/⑤Head section and back section

2. Material

- ① Cassette board: Thermosetting resin
- ② Velcro tape: Nylon
- ③ Flat head screw: Stainless steel
- ④ Cassette collar: Stainless steel
- ⑤ Support pole: Polycarbonate
- ⑥ Phenolic board: Thermosetting resin

Note: The number corresponds to those used in 1. Shape.

Intended purpose

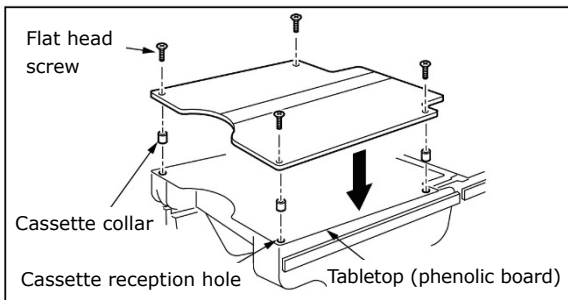
This is an accessory for the operating table. It is attached to the tabletop to allow placement of X-ray film cassettes.

Intended user

This product is to be used by health care professionals, including but not limited to surgeons, nurses and biomedical technicians.

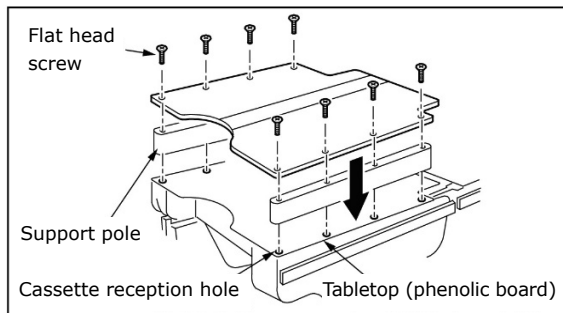
Instructions for use

1. Attaching the radiographic tops (cassette collar)



- 1-1. Align the cassette collars with the cassette reception holes on the tabletop (phenolic board).
- 1-2. Align the cassette reception holes on the cassette board with the cassette collar position.
- 1-3. Fix the cassette board to the tabletop with the flat head screws.

2. Attaching the radiographic tops (support pole)



- 2-1. Align the support poles with the cassette reception holes on the tabletop (phenolic board).
- 2-2. Align the cassette reception holes on the cassette board with the support pole position.
- 2-3. Fix the cassette board to the tabletop with the flat head screws.

Warning/Caution

1. Warning

Before use, check if the radiographic top is completely fixed to the operating table. If it is not completely fixed, the radiographic top may move or come off which may result in a patient injury.

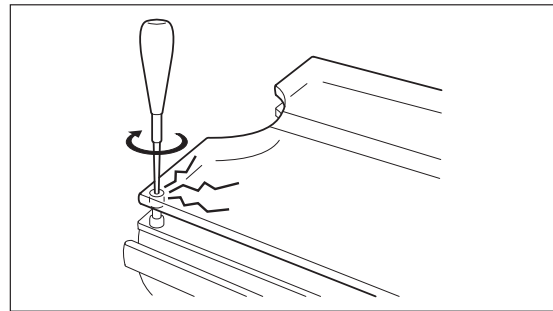
2. Important caution

- 2-1. Do not insert your hands or any objects into the bending section of the radiographic top when operating the bending function for the back section and seat section, etc. Doing so may result in injury or the object getting caught and damaged.

2-2. When working with an operating table, take care not to allow this product to make contact or interfere with the tabletop or with other tools and appliances used in combination with this product. Otherwise the product could break.

2-3. Do not bend the leg section above the seat section when bending the leg section. Otherwise the product could break.

2-4. When attaching the radiographic top, do not forcibly tighten the screws. Doing so could damage the cassette board or cassette reception holes. (The recommended tightening torque is 2.6 N · m.)



2-5. When attaching the radiographic top, do not use automatic tools such as electric screwdrivers. Doing so could damage the cassette board or cassette reception holes by impacting them etc.

2-6. For hygiene, be sure to use sterilized drapes on the areas on this product where the patient comes into contact with it.

Storage/Life

1. Do not store the device in high temperatures or in areas with high humidity where the temperature has drastic variations.
2. Service life of this product: 7 years
(Subject to the specified maintenance and inspection and is stored properly.)

Maintenance/Inspection

<By the user>

1. Check before and after use
Check that this product is not damaged or broken before and after each use.
2. Cleaning and disinfection
Wipe off blood, chemicals, contaminants, and other stains with water, and clean the device with gauze or other materials soaked in disinfectants. In addition, use the same disinfectants as the authorized disinfectants on Mizuho's operating table described in the operating table operator's manual.
3. In case of a malfunction
When this product is broken, clearly label the device as "Broken", "Do not use", "Need repair", etc., and contact your local distributor or Mizuho.

<By agents>

Maintenance and inspection can only be carried out by certified agents of Mizuho.

Packing

1 set per package

Warranty

MIZUHO Corporation will repair defective parts of this product without charge for one year from the date of delivery/installment except for cases of damage caused by a third party's repair, an act of nature, improper use or intentional damage. All other warranty terms and conditions are subject to regulations of MIZUHO Corporation.

Disposal

This device must be disposed of in accordance with local regulations. Please contact your local distributor for proper disposal.

Notice

Any serious incident that has occurred in relation to the device should be reported to the manufacturer and the competent authority in which the user and/or patient is established.



MIZUHO Corporation
3-30-13 Hongo, Bunkyo-ku, Tokyo 113-0033, Japan
<https://www.mizuho.co.jp>



EMERGO EUROPE
Westervoortsedijk 60
6827 AT Arnhem, The Netherlands