

## Instruction for Use

Trade Name: Side Extension Board with Pad (Bariatric)

### Warning

When using operating table accessories, always pay close attention to the patient. Patients left in the same posture for an extended period of time are at risk for developing nerve paralysis and/or bedsores.

### Contraindication/Prohibition

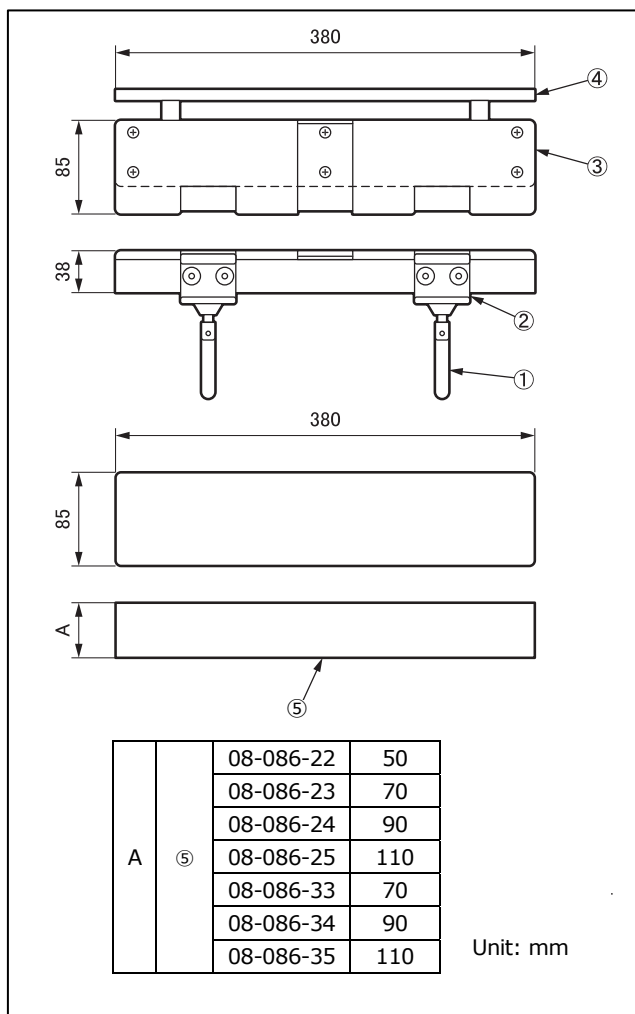
1. This product is only validated for use with Mizuho operating tables.
2. Do not attach any accessory other than the Armboard or the Anesthesia Screen Frame to the side rail of the Table Side Extension. This product is not designed to be used with accessories other than the Armboard and the Anesthesia Screen Frame.

### Symbol mark for labeling

**MD** : Medical Device

### Specifications

#### 1. Shape



Code No.	Product Description
08-086-06	Table Side Extension *1
08-086-06-R1	Table Side Extension (R1) *2
08-086-06-R2	Table Side Extension (R2) *3
08-086-22	50 mm Pad for Table Side Extension
08-086-23	70 mm Pad for Table Side Extension
08-086-24	90 mm Pad for Table Side Extension
08-086-25	110 mm Pad for Table Side Extension
08-086-33	70 mm Pad for Table Side Extension
08-086-34	90 mm Pad for Table Side Extension
08-086-35	110 mm Pad for Table Side Extension

\*1, \*2 and \*3: The size of mountable side rail is different.

Applicable size (thickness x height, unit: mm) is shown below.

08-086-06: 9×32

08-086-06-R1: 9.4×28.6

08-086-06-R2: 10×25

#### 2. Weight

08-086-06/08-086-06-R1/08-086-06-R2: 3.0 kg

#### 3. Material

- ① Fixing handle: Stainless steel
- ② Rail clamp: Stainless steel
- ③ Side extension: Thermosetting resin
- ④ Side rail: Stainless steel
- ⑤ Pad: Polyurethane

Note: The number corresponds to those used in 1. Shape.

### Intended purpose

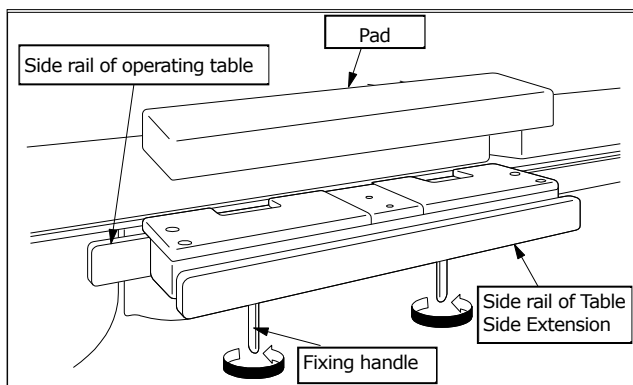
This is an accessory for the operating table. This accessory is used for supporting obese patients.

The Armboard and the Anesthesia Screen Frame can be attached to the side rail of this product.

### Intended user

This product is to be used by health care professionals, including but not limited to surgeons, nurses and biomedical technicians.

### Instructions for use



1. Attach the Table Side Extension to the side rail of the operating table.
2. Turn the fixing handle to fix the Table Side Extension.
3. Attach the pad appropriate for the height of the operating table.

## Warning/Caution

1. Warning  
Ensure all fixing handles are tight. Loose condition can cause the product to come off or move, which may result in a patient injury.
2. Important caution
  - 2-1. When working with an operating table, take care not to allow this product to make contact or interfere with the tabletop or with other tools and appliances used in combination with this product. Otherwise the product could break.
  - 2-2. For hygiene, be sure to use sterilized drapes on the areas on this product where the patient comes into contact with it.

## Storage/Life

1. Do not store the device in high temperatures or in areas with high humidity where the temperature has drastic variations.
2. Service life of this product: 7 years  
(Subject to the specified maintenance and inspection and is stored properly.)

## Maintenance/Inspection

<By the user>

1. Check before and after use  
Check that this product is not damaged or broken before and after each use.
2. Cleaning and disinfection  
Wipe off blood, chemicals, contaminants, and other stains with water, and clean the device with gauze or other materials soaked in disinfectants. In addition, use the same disinfectants as the authorized disinfectants on Mizuho's operating table described in the operating table operator's manual.
3. In case of a malfunction  
When this product is broken, clearly label the device as "Broken", "Do not use", "Need repair", etc., and contact your local distributor or Mizuho.

<By agents>

Maintenance and inspection can only be carried out by certified agents of Mizuho.

## Packing

1 piece per pack

## Warranty

MIZUHO Corporation will repair defective parts of this product without charge for one year from the date of delivery/installment except for cases of damage caused by a third party's repair, act of nature, improper use or intentional damage. All other warranty terms and conditions are subject to regulations of MIZUHO Corporation.

## Disposal

This device must be disposed of in accordance with local regulations. Please contact your local distributor for proper disposal.

## Notice

Any serious incident that has occurred in relation to the device should be reported to the manufacturer and the competent authority in which the user and/or patient is established.



MIZUHO Corporation  
3-30-13 Hongo, Bunkyo-ku, Tokyo 113-0033 Japan  
<https://www.mizuho.co.jp>



EMERGO EUROPE  
Westervoortsedijk 60  
6827 AT Arnhem, The Netherlands