

Be sure to read this instruction manual before using this product.
Keep this manual available for reference when needed.

Instruction for Use

Trade Name: Body Positioning Strap

Warning

When using operating table accessories, always pay close attention to the patient. Patients left in the same posture for an extended period of time are at risk for developing nerve paralysis and/or bedsores.

Contraindication/Prohibition

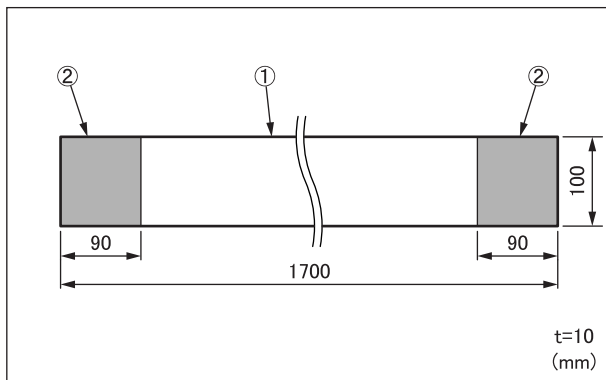
1. Do not wrap the strap around the patient too tightly. Doing so may result in injury to the patient.
2. Do not exceed the allowable load specified in **Specifications**, 2. Allowable load. Otherwise the product could break.

Symbol mark for labeling

MD : Medical Device

Specifications

1. Shape



| Code No. | Product Description | Weight |
|-----------|----------------------|--------|
| 08-084-02 | Body Strap (1700 mm) | 0.3 kg |

2. Allowable load
Unit: 14 kg
Maximum patient weight per strap: 44 kg
3. Material
 - ① Strap: Nylon
 - ② Fastener: Nylon

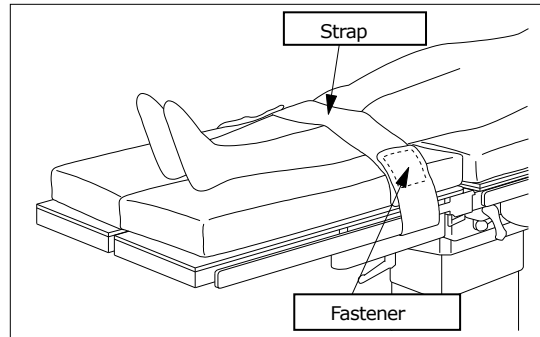
Intended purpose

This is an accessory for the operating table. This is a removable strap used for fixing a patient on the operating table.

Intended user

This product is to be used by health care professionals, including but not limited to surgeons, nurses and biomedical technicians.

Instructions for use



1. Position the patient on the operating table.
2. Attach the strap in the required position.
3. Attach the fastener at the end of the strap onto the strap surface to fix the patient.

Warning/Caution

1. Warning
Ensure all attaching parts are fixed. Loose condition can cause the product to come off or move, which may result in a patient injury.
2. Important caution
 - 2-1. When working with an operating table, take care not to allow this product to make contact or interfere with the tabletop or with other tools and appliances used in combination with this product. Otherwise the product could break.
 - 2-2. For hygiene, be sure to use sterilized drapes on the areas on this product where the patient comes into contact with it.

Storage/Life

1. Do not store the device in high temperatures or in areas with high humidity where the temperature has drastic variations.
2. This product is a consumable. Replace it with a new product when fixing force of the attachment is weakened.

Maintenance/Inspection

<By the user>

1. Check before and after use
Check that this product is not damaged or broken before and after each use.
2. Cleaning and disinfection
Hand wash this product with a neutral household or similar detergent and let it dry naturally. This product could shrink or fade due to washing. Remove lint attached on the Velcro tape as it may weaken the fixing force.

Packing

1 piece per pack

Warranty

MIZUHO Corporation will repair defective parts of this product without charge for one year from the date of delivery/installment except for cases of damage caused by a third party's repair, act of nature, improper use or intentional damage. All other warranty terms and conditions are subject to regulations of MIZUHO Corporation.

Disposal

This device must be disposed of in accordance with local regulations. Please contact your local distributor for proper disposal.

Notice

Any serious incident that has occurred in relation to the device should be reported to the manufacturer and the competent authority in which the user and/or patient is established.



MIZUHO Corporation
3-30-13 Hongo, Bunkyo-ku, Tokyo 113-0033, Japan
<https://www.mizuho.co.jp>



EMERGO EUROPE
Westervoortsedijk 60
6827 AT Arnhem, The Netherlands