

Be sure to read this instruction manual before using this product.
Keep this manual available for reference when needed.

Instruction for Use

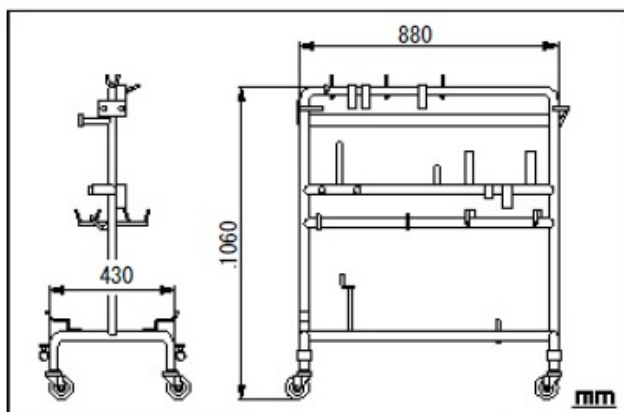
Trade Name: Cart

Contraindication/Prohibition

This product is only validated for use with Mizuho operating tables and accessories.

Specifications

1. Shape



Code No.	Product Description
08-081-07	Accessory Cart for Traction Device
08-081-07-R1	Accessory Cart for Traction Device (R1)
08-081-07-R2	Accessory Cart for Traction Device (R2)

Note: The size of mountable side rail is different.

2. Weight

18 kg

3. Material

Main unit: Rolled steel, stainless steel

Casters: Synthetic resin

Intended purpose

This is a cart for storing and transporting the Traction Device accessories.

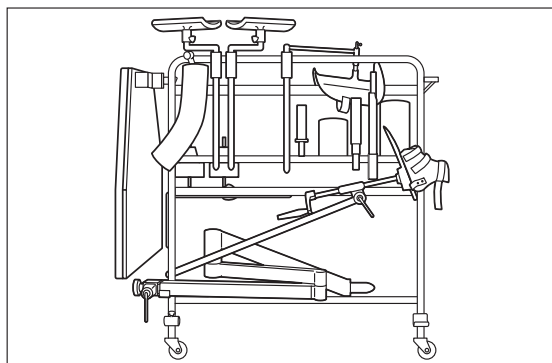
Intended user

This product is to be used by health care professionals, including but not limited to surgeons, nurses and biomedical technicians.

Instructions for use

1. Instructions for use

Attach, store and transport the accessories as shown in figure.



2. Applicable operating tables

Refer to the brochure "OPERATING TABLE ACCESSORIES" of Mizuho

Warning/Caution

Important caution

When working with an operating table, take care not to allow this product to make contact or interfere with the tabletop or with other tools and appliances used in combination with this product. Otherwise the product could break.

Storage/Life

- Do not store the device in high temperatures or in areas with high humidity where the temperature has drastic variations.
- Service life of this product: 7 years
(Subject to the specified maintenance and inspection and is stored properly.)

Maintenance/Inspection

<By the user>

- Check before and after use
Check that this product is not damaged or broken before and after each use.
- Cleaning and disinfection
Wipe off blood, chemicals, contaminants, and other stains with water, and clean the device with gauze or other materials soaked in disinfectants. In addition, use the same disinfectants as the authorized disinfectants on Mizuho's operating table described in the operating table operator's manual.
- In case of a malfunction
When this product is broken, clearly label the device as "Broken", "Do not use", "Need repair", etc., and contact your local distributor or Mizuho.

<By agents>

Maintenance and inspection can only be carried out by certified agents of Mizuho.

Packing

1 piece per pack

Warranty

MIZUHO Corporation will repair defective parts of this product without charge for one year from the date of delivery/installment except for cases of damage caused by a third party's repair, act of nature, improper use or intentional damage. All other warranty terms and conditions are subject to regulations of MIZUHO Corporation.

Disposal

This device must be disposed of in accordance with local regulations. Please contact your local distributor for proper disposal.

Notice

Any serious incident that has occurred in relation to the device should be reported to the manufacturer and the competent authority in which the user and/or patient is established.



MIZUHO Corporation
3-30-13 Hongo, Bunkyo-ku, Tokyo 113-0033, Japan
<https://www.mizuho.co.jp>