

Be sure to read this instruction manual before using this product.
Keep this manual available for reference when needed.

Instruction for Use

Trade Name: Leg-side Reversal Adapter

Warning

When using operating table accessories, always pay close attention to the patient. Patients left in the same posture for an extended period of time are at risk for developing nerve paralysis and/or bedsores.

Contraindication/Prohibition

1. This product is only validated for use with Mizuho operating tables.
2. Do not exceed the Maximum patient weight specified in **Specifications**, 3. Maximum patient weight. Doing so could cause the product to break.
3. Do not apply an unbalanced load to the tip of the board. The product may fall or be damaged.

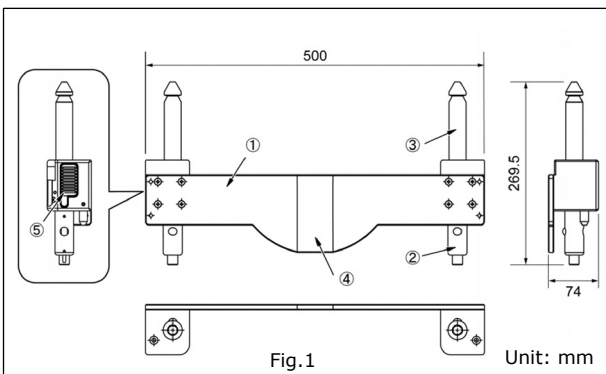
Symbol mark for labeling

MD : Medical Device

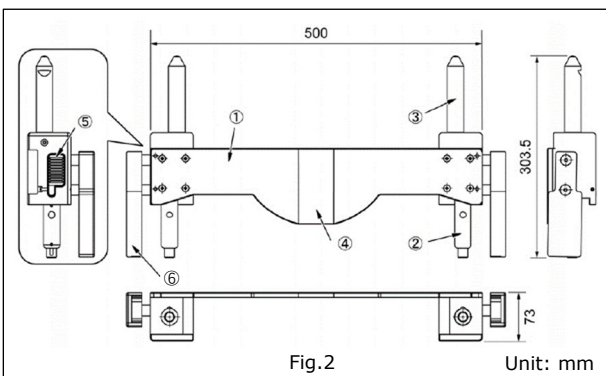
Specifications

1. Shape

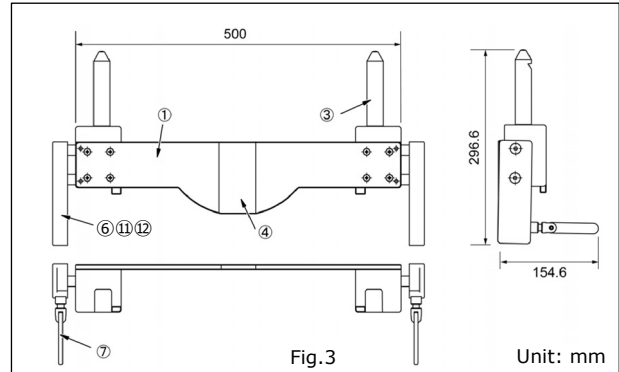
1-1. Leg-side Reversal Adapter A



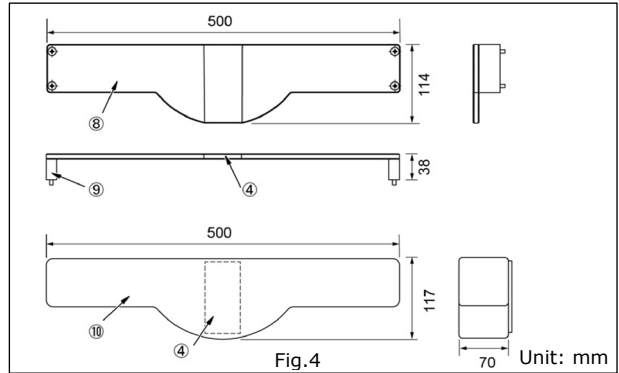
1-2. Leg-side Reversal Adapter B/B(R1)/B(R2)



1-3. Leg-side Reversal Adapter C/C(R1)/C(R2)



1-4. Digital Radiographic Table Top for Leg-side Reversal Adapter
Mizuho Original Pad for Leg-side Reversal Adapter



Code No.	Product Description	Components
08-077-70	Leg-side Reversal Adapter A	①②③④⑤
08-077-60	Leg-side Reversal Adapter B	①②③④⑤⑥
08-077-60-R1	Leg-side Reversal Adapter B (R1)	①②③④⑤⑪
08-077-60-R2	Leg-side Reversal Adapter B (R2)	①②③④⑤⑫
08-077-50	Leg-side Reversal Adapter C *1	①③④⑥⑦
08-077-50-R1	Leg-side Reversal Adapter C (R1) *2	①③④⑦⑪
08-077-50-R2	Leg-side Reversal Adapter C (R2) *3	①③④⑦⑫
18-097-00	Digital Radiographic Table Top for Leg-side Reversal Adapter	④⑧⑨
18-042-90	Mizuho Original Pad for Leg-side Reversal Adapter	④⑩

Note: The number corresponds to those used in 1. Shape.

*1,*2 and *3: The size of mountable side rail is different.

2. Weight
 - 08-077-70: 4.0 kg
 - 08-077-60/R1/R2: 5.8 kg
 - 08-077-50/R1/R2: 6.0 kg
 - 18-097-00: 0.5 kg
 - 18-042-90: 0.2 kg

3. Material

- ① Board: Thermosetting resin
- ② Insertion shaft A: Stainless steel
- ③ Insertion shaft B: Stainless steel
- ④ Velcro tape: Nylon
- ⑤ Unlock button: Polyacetal
- ⑥⑩⑫ Bracket: Stainless steel
- ⑦ Fixing handle: Stainless steel
- ⑧ Radiographic top: Thermosetting resin
- ⑨ Radiographic top leg: Polycarbonate
- ⑩ Pad: Polyurethane

Note: The number corresponds to those used in 1. Shape.

4. Maximum patient weight
 - 135 kg

Intended purpose

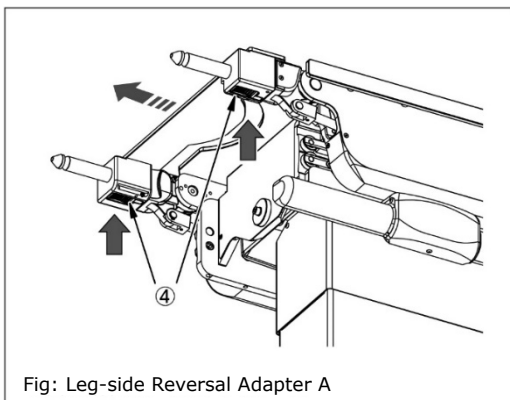
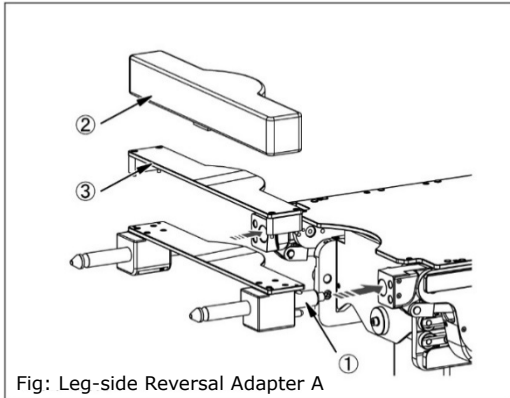
This is an accessory for the operating table. The adapter makes it possible to attach the back section side attaching accessories onto the leg section sides by attaching them onto the seat section with the leg section detached.

Intended user

This product is to be used by health care professionals, including but not limited to surgeons, nurses and biomedical technicians.

Instructions for use

1. Instructions for use (08-077-70/-60/-60-R1/-60-R2)

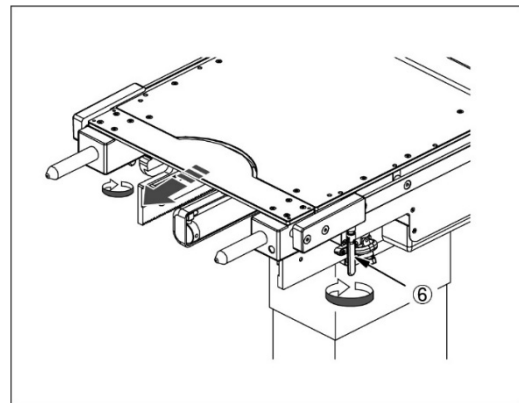
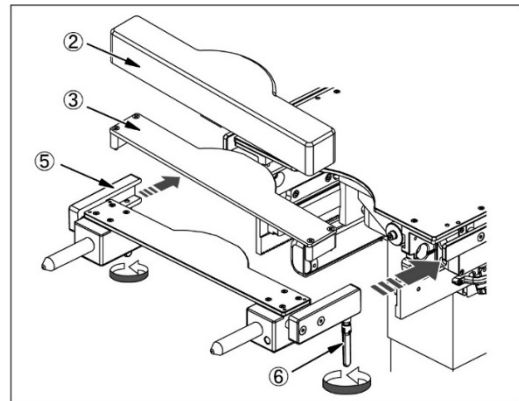


- ① Insertion shaft ③ Radiographic top
- ② Pad ④ Unlock button

- 1-1. Insert the Leg-side Reversal Adapter insertion shafts① into the leg section reception holes of the operating table.

- 1-2. Pull on the Leg-side Reversal Adapter to make sure it is fully inserted.
- 1-3. Attach the pad②.
- 1-4. If radiography is required, attach the radiographic top③ between the Leg-side Reversal Adapter and the pad②.
- 1-5. When detaching the Leg-side Reversal Adapter, pull the Leg-side Reversal Adapter straight out while pressing the unlock button④.

2. Instructions for use (08-077-50/-50-R1/-50-R2)



- ② Pad ⑤ Bracket
- ③ Radiographic top ⑥ Fixing handle

- 2-1. Insert the bracket⑤ of the Leg-side Reversal Adapter into the side rails of the seat section of the operating table.
- 2-2. Make sure that the Leg-side Reversal Adapter is fully inserted, and tighten the fixing handle⑥ to fix it.
- 2-3. Attach the pad②.
- 2-4. If radiography is required, attach the radiographic top③ between the Leg-side Reversal Adapter and the pad②.
- 2-5. When detaching the Leg-side Reversal Adapter, loosen the fixing handle⑥, and pull the Leg-side Reversal Adapter straight out.

Note: The number corresponds to those used in Fig. of "Instructions for use".

3. Applicable operating tables
 - Refer to the brochure "OPERATING TABLE ACCESSORIES" of Mizuho.

Warning/Caution

1. Warning
 - Ensure all fixing handles are tight. Loose condition can cause the product to come off or move, which may result in a patient injury.
2. Important caution
 - 2-1. When working with an operating table, take care not to allow this product to make contact or interfere with the tabletop or with other tools and appliances used in combination with this product. Otherwise the product could break.
 - 2-2. For hygiene, be sure to use sterilized drapes on the areas on this product where the patient comes into contact with it.

3. Interaction

[Precautions when using with other items]

If the operating table's slide is slid the maximum amount with this product and accessories attached to it, then the operating table's operations might be slowed down.

Storage/Life

1. Do not store the device in high temperatures or in areas with high humidity where the temperature has drastic variations.
2. Service life of this product: 7 years
(Subject to the specified maintenance and inspection and is stored properly.)

Maintenance/Inspection

<By the user>

1. Check before and after use
Check that this product is not damaged or broken before and after each use.
2. Cleaning and disinfection
Wipe off blood, chemicals, contaminants, and other stains with water, and clean the device with gauze or other materials soaked in disinfectants. In addition, use the same disinfectants as the authorized disinfectants on Mizuho's operating table described in the operating table operator's manual.
3. In case of a malfunction
When this product is broken, clearly label the device as "Broken", "Do not use", "Need repair", etc., and contact your local distributor or Mizuho.

<By agents>

Maintenance and inspection can only be carried out by certified agents of Mizuho.

Packing

1 piece per pack

Warranty

MIZUHO Corporation will repair defective parts of this product without charge for one year from the date of delivery/installment except for cases of damage caused by a third party's repair, act of nature, improper use or intentional damage. All other warranty terms and conditions are subject to regulations of MIZUHO Corporation.

Disposal

This device must be disposed of in accordance with local regulations. Please contact your local distributor for proper disposal.

Notice

Any serious incident that has occurred in relation to the device should be reported to the manufacturer and the competent authority in which the user and/or patient is established.



MIZUHO Corporation
3-30-13 Hongo, Bunkyo-ku, Tokyo 113-0033, Japan
<https://www.mizuho.co.jp>



EMERGO EUROPE
Westervoortsedijk 60
6827 AT Arnhem, The Netherlands