

Be sure to read this instruction manual before using this product.  
Keep this manual available for reference when needed.

## Instruction for Use

### Trade Name: Seat Extension

**Warning**

When using operating table accessories, always pay close attention to the patient. Patients left in the same posture for an extended period of time are at risk for developing nerve paralysis and/or bedsores

**Contraindication/Prohibition**

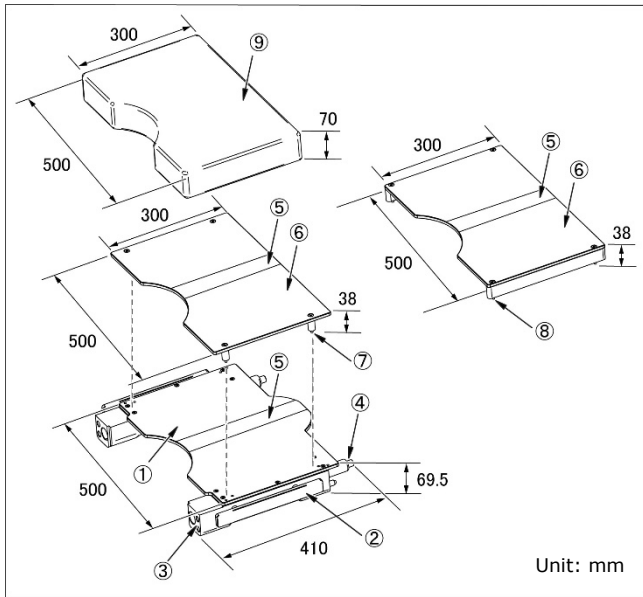
This product is only validated for use with Mizuho operating tables.

**Symbol mark for labeling**

**MD** : Medical Device

**Specifications**

1. Shape



2. Weight

- Main unit: 6.6 kg (08-075-52/R1/R2)
- Radiographic top: 2.0 kg (08-083-00/-20)
- Pad: 0.6 kg (08-083-60/18-042-82)

3. Material

- ① Board: Thermosetting resin
- ② Side rail: Stainless steel
- ③ Frame: Aluminum alloy
- ④ Insertion shaft: Stainless steel
- ⑤ Velcro tape: Nylon
- ⑥ Radiographic top: Thermosetting resin
- ⑦ Radiographic top leg: Carbon steel
- ⑧ Radiographic top leg: Polycarbonate
- ⑨ Pad: Polyurethane

Note: The number corresponds to those used in 1. Shape.

**Intended purpose**

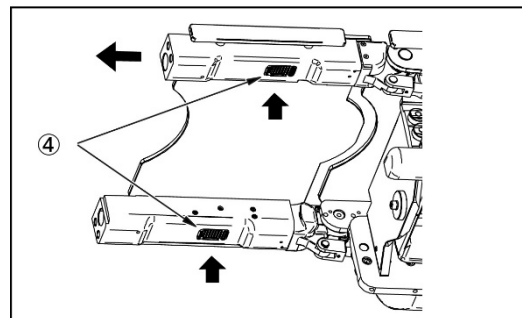
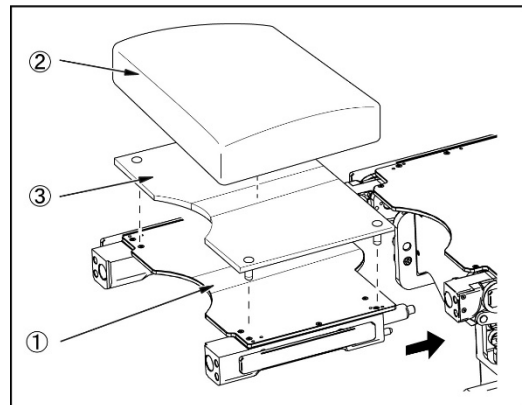
This is an accessory for the operating table. The seat extension is intended to be attached to the operating table seat section, with the leg section detached. It extends the seat section length to facilitate radiography of the kidneys in the lithotomy position.

**Intended user**

This product is to be used by health care professionals, including but not limited to surgeons, nurses and biomedical technicians.

**Instructions for use**

1. Instructions for use



- ① Seat Extension      ③ Radiographic top
- ② Pad                    ④ Unlock button

Code No.	Product Description	Components
08-075-52	Seat Extension II (300mm) *1	①②③④⑤
08-075-52-R1	Seat Extension II (300mm) (R1) *2	①②③④⑤
08-075-52-R2	Seat Extension II (300mm) (R2) *3	①②③④⑤
08-083-00	Radiographic Table Tops Fixed Type for Seat Extension (300mm)	⑤⑥⑦
08-083-20	Digital Radiographic Table Tops Fixed Type for Seat Extension (300mm)	⑤⑥⑧
08-083-60	Mizuho Original Pad for Seat Extension (300mm)	⑨
18-042-82	SUSANO Pad for Seat Extension (300mm)	⑨

Note: The number corresponds to those used in 1. Shape.

\*1,\*2 and \*3: The size of mountable side rail is different.

- 1-1. Insert the insertion shafts of the Seat Extension① into the leg section reception holes of the operating table.
- 1-2. Attach the pad②.
- 1-3. If radiography is required, attach the radiographic top③ between the Seat Extension① and the pad②.
- 1-4. When detaching the Seat Extension ①, pull the Seat Extension① straight out while pressing the unlock buttons ④.

## 2. Applicable operating tables

Refer to the brochure "OPERATING TABLE ACCESSORIES" of Mizuho.

### Warning/Caution

#### 1. Warning

Ensure all attaching parts are fixed. Loose condition can cause the product to come off or move, which may result in a patient injury.

#### 2. Important caution

- 2-1. When operating the operating table with the Seat Extension and the leg section attached, be careful of them coming into contact with the floor.
- 2-2. When working with an operating table, take care not to allow this product to make contact or interfere with the tabletop or with other tools and appliances used in combination with this product. Otherwise the product could break.
- 2-3. For hygiene, be sure to use sterilized drapes on the areas on this product where the patient comes into contact with it.

### Storage/Life

1. Do not store the device in high temperatures or in areas with high humidity where the temperature has drastic variations.
2. Service life of this product: 7 years  
(Subject to the specified maintenance and inspection and is stored properly.)

### Maintenance/Inspection

<By the user>

1. Check before and after use  
Check that this product is not damaged or broken before and after each use.
2. Cleaning and disinfection  
Wipe off blood, chemicals, contaminants, and other stains with water, and clean the device with gauze or other materials soaked in disinfectants. In addition, use the same disinfectants as the authorized disinfectants on Mizuho's operating table described in the operating table operator's manual.
3. In case of malfunction  
When this product is broken, clearly label the device as "Broken", "Do not use", "Need repair", etc., and contact your local distributor or Mizuho.

<By agents>

Maintenance and inspection can only be carried out by certified of Mizuho.

### Packing

1 piece per pack

### Warranty

MIZUHO Corporation will repair defective parts of this product without charge for one year from the date of delivery/installment except for cases of damage caused by a third party's repair, act of nature, improper use or intentional damage. All other warranty terms and conditions are subject to regulations of MIZUHO Corporation.

### Disposal

This device must be disposed of in accordance with local regulations. Please contact your local distributor for proper disposal.

### Notice

Any adverse incident that has occurred in relation to the device should be reported to the manufacturer and the competent authority in which the user and/or patient is established.



MIZUHO Corporation  
3-30-13 Hongo, Bunkyo-ku, Tokyo 113-0033, Japan  
<https://www.mizuho.co.jp>



EMERGO EUROPE  
Westervoortsedijk 60  
6827 AT Arnhem, The Netherlands