

## Instruction for Use

### Trade Name: Radiolucent Head Extension

#### Warning

When using operating table accessories, always pay close attention to the patient. Patients left in the same posture for an extended period of time are at risk for developing nerve paralysis and/or bedsores.

#### Contraindication/Prohibition

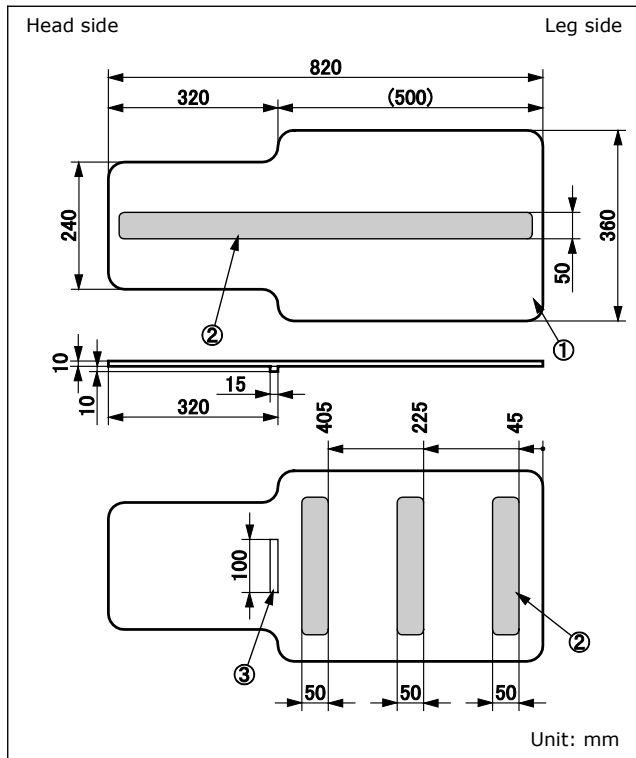
1. Use only on the models listed in **Instructions for use**, 2. Applicable operating tables.
2. Do not exceed the allowable load specified in **Specifications**, 3. Allowable load. Otherwise the product could break.
3. This product is only validated for use with Mizuho operating tables and accessories.

#### Symbol mark for labeling

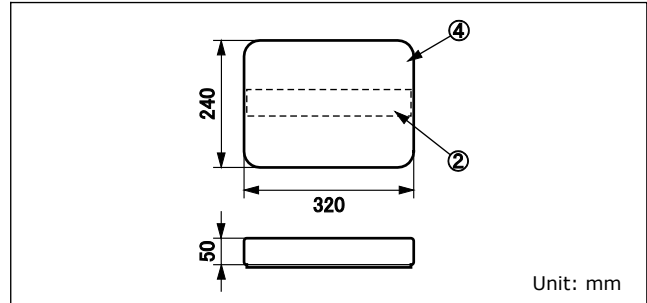
**MD** : Medical Device

#### Specifications

1. Shape



Radiolucent Head Extension



Pad

Code No.	Product Description	Components
08-075-47	Radiolucent Head Extension for VACB with Pad	①②③④
08-075-48	Radiolucent Head Extension for VACB	①②③
08-075-49	Pad for Radiolucent Head Extension for VACB	②④

Note: The number corresponds to those used in 1. Shape.

2. Weight

Main unit: 1.0 kg

Pad: 0.3 kg

3. Allowable load

20 kg

4. Material

① Board: Carbon fiber reinforced resin

② Velcro tape: Nylon

③ Stopper: Thermosetting resin

④ Pad: Polyurethane

Note: The number corresponds to those used in 1. Shape.

#### Intended purpose

This is an accessory for the VACB operating tables. It is used to support a patient's head.

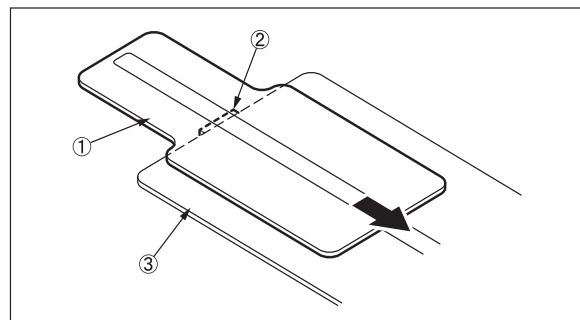
#### Intended user

This product is to be used by health care professionals, including but not limited to surgeons, nurses and biomedical technicians.

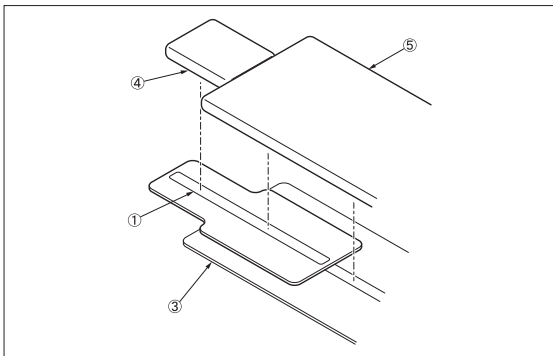
#### Instructions for use

1. Instructions for use

- 1-1. The stopper② on the back of the board① should be placed against the head end of the tabletop of VACB operating table③.



- 1-2. Attach the pad④ for this product and the pad for VACB operating table⑤ to the board① and the tabletop of VACB operating table③.



2. Applicable operating tables

- VACB-3001B
- VACB-3003
- VACB-3003FL
- VACB-3005B
- VACB-3005B TYPE S
- VACB-3006B
- VACB-3006B TYPE150S

**Warning/ Caution**

1. Warning
 

Ensure all attaching parts are fixed. Loose condition can cause the product to come off or move, which may result in a patient injury.
2. Important caution
  - 2-1. When working with an operating table, take care not to allow this product to make contact or interfere with the tabletop or with other tools and appliances used in combination with this product. Otherwise the product could break.
  - 2-2. For hygiene, be sure to use sterilized drapes on the areas on this product where the patient comes into contact with it.

**Storage/Life**

1. Do not store the device in high temperature or in areas with high humidity with drastic temperature or humidity variations.
2. Service life of this product: 7 years  
(Subject to the specified maintenance and inspection and is stored properly.)

**Maintenance/Inspection**

<By the user>

1. Check before and after use
 

Check that this product is not damaged or broken before and after each use.
2. Cleaning and disinfection
 

Wipe off blood, chemicals, contaminants, and other stains with water, and clean the device with gauze or other materials soaked in disinfectants. In addition, use the same disinfectants as the authorized disinfectants on Mizuho's operating table described in the operating table operator's manual.
3. In case of a malfunction
 

When this product is broken, clearly label the device as "Broken", "Do not use", "Need repair", etc., and contact your local distributor or Mizuho.

<By agents>

Maintenance and inspection can only be carried out by certified agents of Mizuho.

**Packing**

- 1 piece per pack

**Warranty**

MIZUHO Corporation will repair defective parts of this product without charge for one year from the date of delivery/installment except for cases of damage caused by a third party's repair, acts of nature, improper use or intentional damage. All other warranty terms and conditions are subject to regulations of MIZUHO Corporation.

**Disposal**

This device must be disposed of in accordance with local regulations. Please contact your local distributor for proper disposal.

**Notice**

Any serious incident that has occurred in relation to the device should be reported to the manufacturer and the competent authority in which the user and/or patient is established.



MIZUHO Corporation  
3-30-13 Hongo, Bunkyo-ku, Tokyo 113-0033, Japan  
<https://www.mizuho.co.jp>



EMERGO EUROPE  
Westervoortsedijk 60  
6827 AT Arnhem, The Netherlands