

Be sure to read this instruction manual before using this product.  
Keep this manual available for reference when needed.

## Instruction for Use

### Trade Name: Seat Extension

**Warning**

When using operating table accessories, always pay close attention to the patient. Patients left in the same posture for an extended period of time are at risk for developing nerve paralysis and/or bedsores

**Contraindication/Prohibition**

1. This product is only validated for use with Mizuho operating tables.
2. Use only on the models listed in **Instructions for use**, 3. Applicable operating tables.

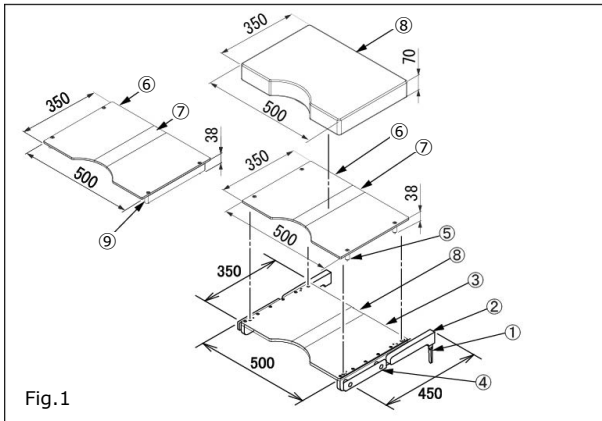
**Symbol mark for labeling**

**MD** : Medical Device

**Specifications**

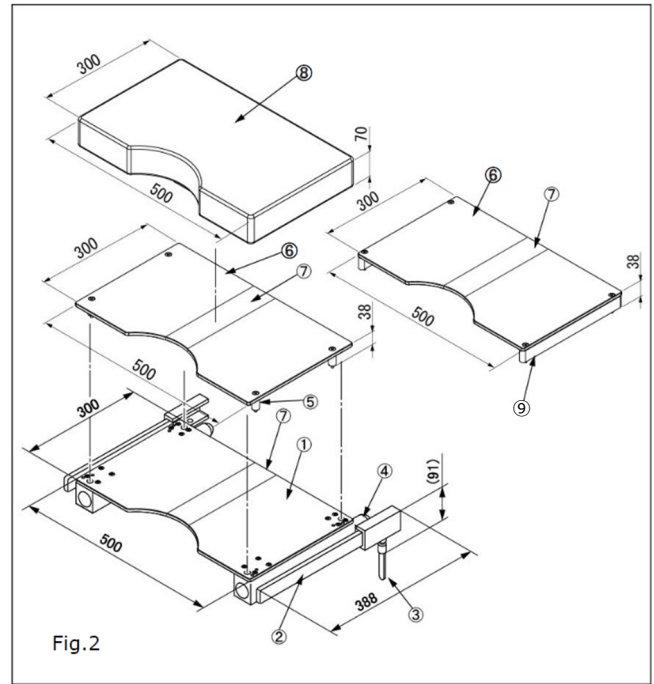
1. Shape

Unit: mm



Code No.	Product Description	Compo nents
18-042-83	SUSANO pad for Seat Extension (350mm)	⑧

Note: The number corresponds to those used in 1. Shape.  
\*1, \*2 and \*3: The size of mountable side rail is different.  
\*4: Pad thickness 50 mm.



Code No.	Product Description	Compo nents
08-075-42	Seat Extension for 5701 *5	①②③④⑦
08-075-42-R1	Seat Extension for 5701 (R1) *6	①②③④⑦
08-075-42-R2	Seat Extension for 5701 (R2) *7	①②③④⑦
08-075-43	Radiographic Top for Seat Extension for 5701	⑤⑥⑦
08-075-44	Pad for Seat Extension for 5701	⑧
08-083-00	Radiographic Table Tops Fixed Type for Seat Extension (300mm)	⑤⑥⑦
08-083-20	Digital Radiographic Table Tops Fixed Type for Seat Extension (300mm)	⑥⑦⑨
08-083-40	Phenolic Board for Radiographic and Digital Radiographic Table Tops Fixed Type for Seat Extension (300mm)	①⑦
08-083-60	Mizuho Original Pad for Seat Extension (300mm)	⑧
18-042-82	SUSANO Pad for Seat Extension (300mm)	⑧

Note: The number corresponds to those used in Fig 2.  
\*5, \*6 and \*7: The size of mountable side rail is different.

Code No.	Product Description	Compo nents
08-075-36	Seat Extension (350mm) *1	①②③④⑦
08-075-36-R1	Seat Extension (350mm) (R1) *2	①②③④⑦
08-075-36-R2	Seat Extension (350mm) (R2) *3	①②③④⑦
08-075-37	Pad for Seat Extension (350mm) *4	⑧
08-075-38	Radiographic Top for Seat Extension(350mm)	⑤⑥⑦
08-083-01	Radiographic Table Tops Fixed Type for Seat Extension (350mm)	⑤⑥⑦
08-083-21	Digital Radiographic Table Tops Fixed Type for Seat Extension (350mm)	⑥⑦⑨
08-083-41	Phenolic Board for Radiographic and Digital Radiographic Table Tops Fixed Type for Seat Extension (350mm)	③⑦
08-083-61	Mizuho Original Pad for Seat Extension (350mm)	⑧

2. Weight  
 Main unit: 7 kg (08-075-36/R1/R2)  
 10 kg (08-075-42/R1/R2)  
 Radiographic top: 2 kg (08-075-38/08-083-00/-01/-20/-21)  
 1.8 kg (08-075-43)  
 Phenolic board: 1.6 kg (08-083-40)  
 2.8 kg (08-083-41)  
 Pad: 1.0 kg (08-075-37/08-075-44/18-042-83)  
 0.6 kg (08-083-60/-61/18-042-82)

3. Material

- 3-1. 08-075-36/-36-R1/-36-R2/-37/-38  
 08-083-01/-21/-41/-61  
 18-042-83

- ① Fixing handle: Stainless steel
- ② Frame: Aluminum alloy
- ③ Board: Thermosetting resin
- ④ Side rail: Stainless steel
- ⑤ Radiographic top leg: Carbon steel
- ⑥ Radiographic top: Thermosetting resin
- ⑦ Velcro tape: Nylon
- ⑧ Pad: Polyurethane
- ⑨ Radiographic top leg: Polycarbonate

Note: The number corresponds to those used in 1. Shape, Fig 1.

- 3-2. 08-075-42/-42-R1/-42-R2/-43/-44  
 08-083-00/-20/-40/-60  
 18-042-82

- ① Board: Thermosetting resin
- ② Side rail: Stainless steel
- ③ Fixing handle: Stainless steel
- ④ Insertion shaft: Stainless steel
- ⑤ Radiographic top leg: Carbon steel
- ⑥ Radiographic top: Thermosetting resin
- ⑦ Velcro tape: Nylon
- ⑧ Pad: Polyurethane
- ⑨ Radiographic top leg: Polycarbonate

Note: The number corresponds to those used in 1. Shape, Fig 2.

**Intended purpose**

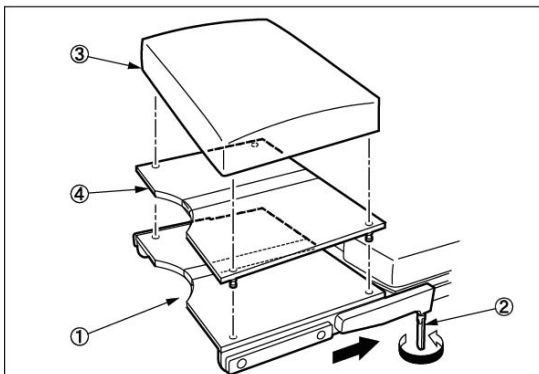
This is an accessory for the operating table. This product is intended to be attached to the operating table seat section, with the leg section detached. It extends the seat section length to facilitate radiography of the kidneys in lithotomy position.

**Intended user**

This product is to be used by health care professionals, including but not limited to surgeons, nurses and biomedical technicians.

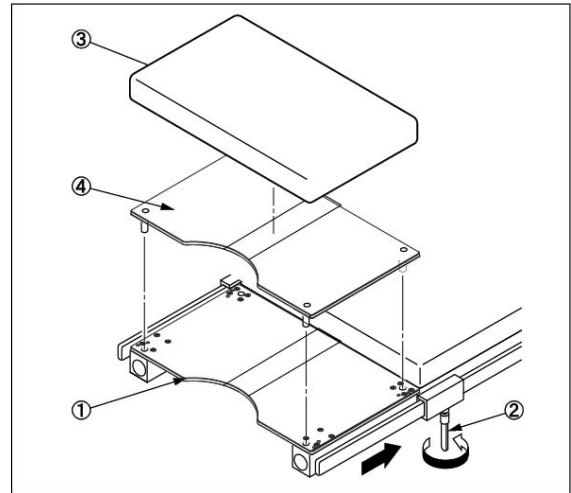
**Instructions for use**

1. Instructions for use  
 (08-075-36/-36-R1/-36-R2/-37/-38/08-083-01/-21/-41/-61/  
 18-042-83)



- 1-1. Attach the Seat Extension① to the side rails of the operating table seat section.  
 1-2. Fix the Seat Extension① with the fixing handle②.  
 1-3. Attach the pad③.  
 1-4. If radiography is required, attach the radiographic top④ between the Seat Extension① and the pad③.

2. Instructions for use  
 (08-075-42/-42-R1/-42-R2/-43/-44/08-083-00/-20/-40/-60/  
 18-042-82)



- 2-1. Detach the leg section from the operating table.  
 2-2. Insert the Seat Extension① into the leg section reception holes of the operating table.  
 2-3. Fix the Seat Extension① with the fixing handles② at both ends.  
 2-4. Attach the pad③.  
 2-5. If radiography is required, attach the radiographic top④ between the Seat Extension① and the pad③.

3. Applicable operating tables

Refer to the brochure "OPERATING TABLE ACCESSORIES" of Mizuho.

**Warning/Caution**

1. Warning  
 Ensure all attaching parts are fixed. Loose condition can cause the product to come off or move, which may result in a patient injury.
2. Important caution  
 2-1. When working with an operating table, take care not to allow this product to make contact or interfere with the tabletop or with other tools and appliances used in combination with this product. Otherwise the product could break.  
 2-2. For hygiene, be sure to use sterilized drapes on the areas on this product where the patient comes into contact with it.

**Storage/Life**

1. Do not store the device in high temperatures or in areas with high humidity where the temperature has drastic variations.  
 2. Service life of this product: 7 years  
 (Subject to the specified maintenance and inspection and is stored properly.)

**Maintenance/Inspection**

<By the user>

1. Check before and after use  
 Check that this product is not damaged or broken before and after each use.
2. Cleaning and disinfection  
 Wipe off blood, chemicals, contaminants, and other stains with water, and clean the device with gauze or other materials soaked in disinfectants. In addition, use the same disinfectants as the authorized disinfectants on Mizuho's operating table described in the operating table operator's manual.
3. In case of malfunction  
 When this product is broken, clearly label the device as "Broken", "Do not use", "Need repair", etc., and contact your local distributor or Mizuho.

<By agents>

Maintenance and inspection can only be carried out by certified of Mizuho.

**Packing**

1 piece per pack

**Warranty**

MIZUHO Corporation will repair defective parts of this product without charge for one year from the date of delivery/installment except for cases of damage caused by a third party's repair, act of nature, improper use or intentional damage. All other warranty terms and conditions are subject to regulations of MIZUHO Corporation.

**Disposal**

This device must be disposed of in accordance with local regulations. Please contact your local distributor for proper disposal.

**Notice**

Any adverse incident that has occurred in relation to the device should be reported to the manufacturer and the competent authority in which the user and/or patient is established.



MIZUHO Corporation  
3-30-13 Hongo, Bunkyo-ku, Tokyo 113-0033, Japan  
<https://www.mizuho.co.jp>



EMERGO EUROPE  
Westervoortsedijk 60  
6827 AT Arnhem, The Netherlands