

Be sure to read this instructions manual before using this product.  
Keep this manual available for reference when needed.



## Instruction for Use

### Trade Name: Leg Extension

**Warning**

When using operating table accessories, always pay close attention to the patient. Patients left in the same posture for an extended period of time are at risk for developing nerve paralysis and/or bedsores.

**Contraindication/Prohibition**

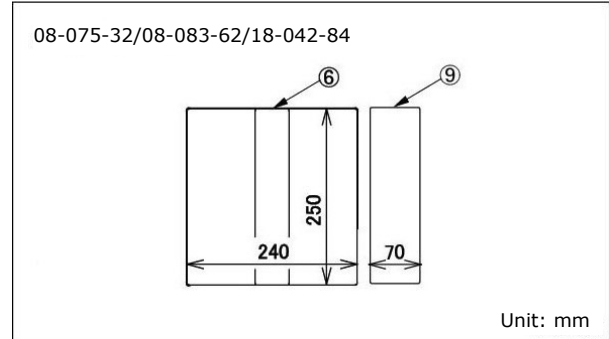
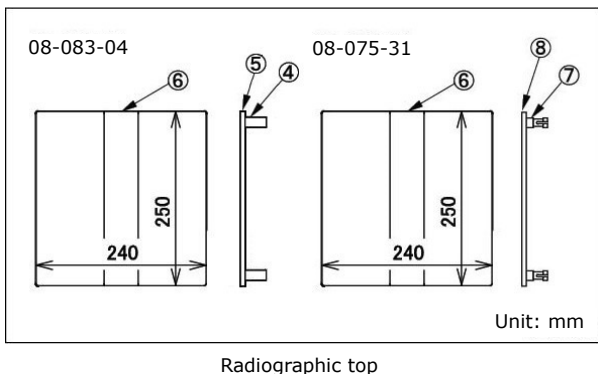
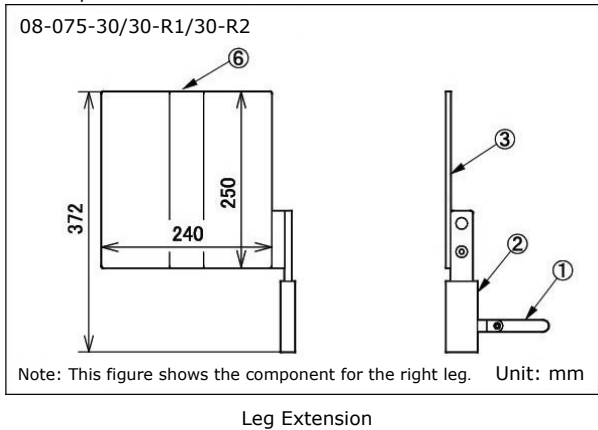
1. This product is only validated for use with Mizuho operating tables.
2. Use only on the models listed in **Instructions for use**, 2. Applicable operating tables.
3. Do not exceed the allowable load specified in **Specifications**, 2. Allowable load. Otherwise the product could break.

**Symbol mark for labeling**

MD : Medical Device

**Specifications**

1. Shape



Pad

Code No.	Product Description	Compo nents	Weight (per piece)
08-075-30	Leg Extension for 5700 Series *1	①②③ ⑥	2.3 kg
08-075-30-R1	Leg Extension for 5700 Series (R1) *2	①②③ ⑥	2.3 kg
08-075-30-R2	Leg Extension for 5700 Series (R2) *3	①②③ ⑥	2.3 kg
08-075-31	Radiographic Top for Leg Extension for 5700 Series	⑥⑦⑧	0.9 kg
08-075-32	Pad for Leg Extension for 5700 Series	⑥⑨	0.2 kg
08-083-04	Radiographic Table Tops Fixed Type for Leg Extension	④⑤⑥	0.9 kg
08-083-62	Mizuho Original Pad for Leg Extension	⑥⑨	0.2 kg
18-042-84	SUSANO Pad for Leg Extension	⑥⑨	0.3 kg

Note: The number corresponds to those used in 1. Shape.  
\*1,\*2 and \*3: The size of mountable side rail is different.

2. Allowable load: 20 kg (each for left and right)

3. Material

- ① Fixing handle/④ Cassette collar: Stainless steel
- ② Rail clamp: Stainless steel
- ③ Board: Aluminum alloy
- ⑤⑧ Radiographic top: Thermosetting resin
- ⑥ Velcro tape: Nylon
- ⑦ Radiographic top leg: Carbon tool steels
- ⑨ Pad: Polyurethane

Note: The number corresponds to those used in 1. Shape.

**Intended purpose**

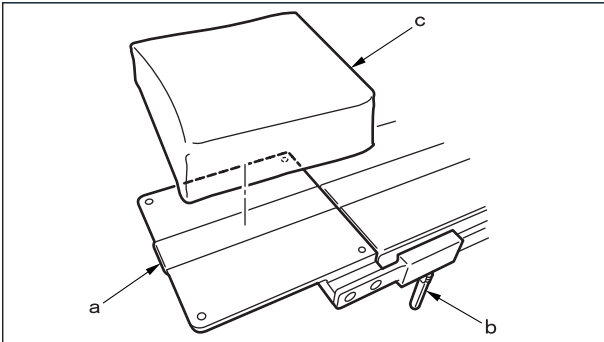
This is an accessory for the operating table. This product is intended to be attached to the leg section for double leg section and for single leg section to extend its length. When the patient is moved toward the foot end of the table during radiography, this product prevents the patient's leg from protruding past the end of the leg section.

## Intended user

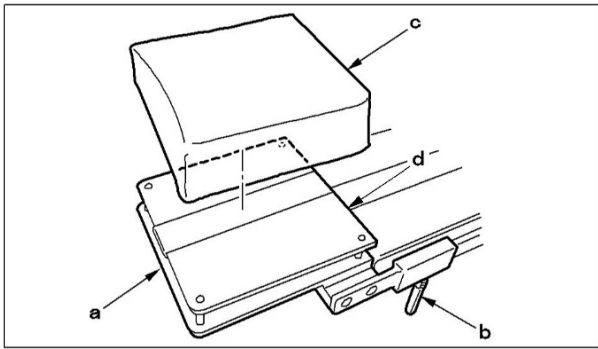
This product is to be used by health care professionals, including but not limited to surgeons, nurses and biomedical technicians.

## Instructions for use

### 1. Instructions for use



- 1-1. Attach this product (a) to the side rail of the operating table.
- 1-2. Fix this product (a) to the operating table with the fixing handle (b).
- 1-3. Attach the pad (c).



- 1-4. If the radiography is required, attach the radiographic top (d) between this product (a) and the pad (c).

### 2. Applicable operating tables

Refer to the brochure "OPERATING TABLE ACCESSORIES" of Mizuho.

## Warning/Caution

### 1. Warning

Ensure all fixing handles are tight. Loose condition can cause the product to come off or move, which may result in a patient injury.

### 2. Important caution

- 2-1. When working with an operating table, take care not to allow this product to make contact or interfere with the tabletop or with other tools and appliances used in combination with this product. Otherwise the product could break.
- 2-2. For hygiene, be sure to use sterilized drapes on the areas on this product where the patient comes into contact with it.

## Storage/Life

1. Do not store the device in high temperatures or in areas with high humidity where the temperature has drastic variations.
2. Service life of this product: 7 years  
(Subject to the specified maintenance and inspection and is stored properly.)

## Maintenance/Inspection

<By the user>

### 1. Check before and after use

Check that this product is not damaged or broken before and after each use.

### 2. Cleaning and disinfection

Wipe off blood, chemicals, contaminants, and other stains with water, and clean the device with gauze or other materials soaked in disinfectants. In addition, use the same disinfectants as the authorized disinfectants on Mizuho's operating table described in the operating table operator's manual.

### 3. In case of malfunction

When this product is broken, clearly label the device as "Broken", "Do not use", "Need repair", etc., and contact your local distributor or Mizuho.

<By agents>

Maintenance and inspection can only be carried out by certified agents of Mizuho.

## Packing

1 pair per package

## Warranty

MIZUHO Corporation will repair defective parts of this product without charge for one year from the date of delivery/installment except for cases of damage caused by a third party's repair, act of nature, improper use or intentional damage. All other warranty terms and conditions are subject to regulations of MIZUHO Corporation.

## Disposal

This device must be disposed of in accordance with local regulations. Please contact your local distributor for proper disposal.

## Notice

Any serious incident that has occurred in relation to the device should be reported to the manufacturer and the competent authority in which the user and/or patient is established.



MIZUHO Corporation  
3-30-13 Hongo, Bunkyo-ku, Tokyo 113-0033, Japan  
<https://www.mizuho.co.jp>



EMERGO EUROPE  
Westervoortsedijk 60  
6827 AT Arnhem, The Netherlands