

## Instruction for Use

### Trade Name: Adapter for Carbon Fiber Extension

#### Warning

When using operating table accessories, always pay close attention to the patient. Patients left in the same posture for an extended period of time are at risk for developing nerve paralysis and/or bedsores.

#### Contraindication/Prohibition

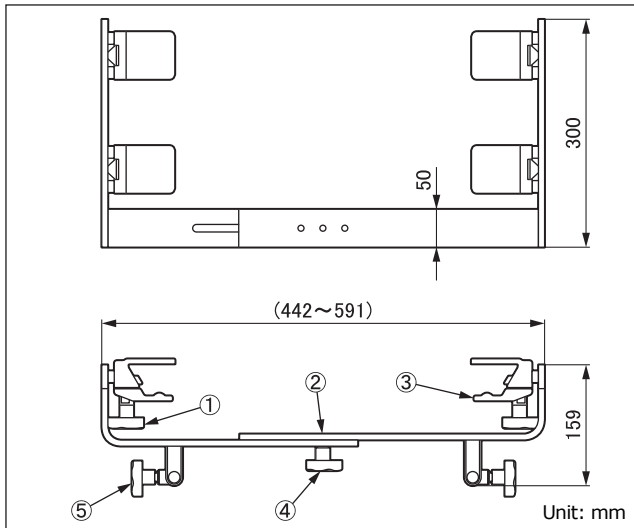
1. Use only on the models listed in **Instructions for use**, 2. Applicable operating tables, etc.
2. When using this product with "Carbon Fiber Extension", do not place the patient who weighs more than 135 kg on. Otherwise the operating table could fall down.

#### Symbol mark for labeling

**MD** : Medical Device

#### Specifications

##### 1. Shape



Code No.	Product Description
08-075-15	Adapter for Carbon fiber extension

##### 2. Weight

6.8 kg

##### 3. Material

- ① Fixing handle: Synthetic resin
- ② Frame: Stainless steel
- ③ Rail clamp: Aluminum alloy
- ④ Adjuster handle: Synthetic resin
- ⑤ Accessory fixing handle: Synthetic resin

Note: The number corresponds to those used in 1. Shape.

##### 4. Maximum extension

149 mm

#### Intended purpose

This is an accessory for the operating table. It is mounted on the operating table or "Carbon Fiber Extension" as an adapter to connect other operating table accessories which support the patient's head.

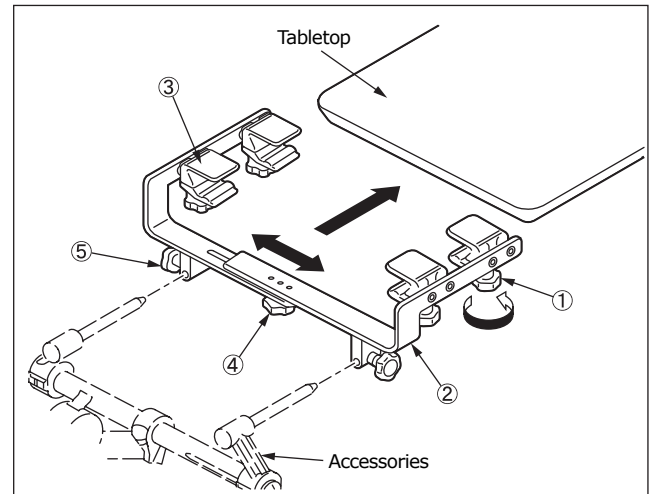
#### Intended user

This product is to be used by health care professionals, including but not limited to surgeons, nurses and biomedical technicians.

#### Instructions for use

1. Instructions for use
  - 1-1. Set the tabletop of the operating table or "Carbon Fiber Extension" in the horizontal position.
  - 1-2. Align the frame<sup>②</sup> to the width of the tabletop or "Carbon Fiber Extension" by operating the adjuster handle<sup>④</sup>.
  - 1-3. Insert the rail clamp<sup>③</sup> into the tabletop or "Carbon Fiber Extension".
  - 1-4. Tighten the fixing handle<sup>①</sup>.
  - 1-5. Attach the accessory to support the patient's head, and tighten the accessories fixing handle<sup>⑤</sup>.

Note: For details of accessory, etc. attached to this product, refer to the instruction manual for each accessory.



##### 2. Applicable operating tables, etc.

Operating tables: Refer to the brochure "OPERATING TABLE ACCESSORIES" of Mizuho.

Other products: 08-070-25 Carbon Fiber Extension

(Note 1 and Note 2)

Note 1: 08-070-35 122cm Carbon Fiber Extension is not applicable.

Note 2: The operating tables that can be used when attaching this product to "Carbon Fiber Extension" are as follows;

- MOT-5801S
- MOT-5701
- MOT-3502
- 3502 EZ Slide
- MOT-3502X

#### Warning/ Caution

##### 1. Warning

Ensure all fixing handles are tight. Loose condition can cause the product to come off or move, which may result in a patient injury.

##### 2. Important caution

- 2-1. When working with an operating table, take care not to allow this product to make contact or interfere with the tabletop or with other tools and appliances used in combination with this product. Otherwise the product could break.
- 2-2. For hygiene, be sure to use sterilized drapes on the areas on this product where the patient comes into contact with it.

##### 3. Precautions when using with other items

- 3-1. When using this product with "Carbon Fiber Extension", slide the tabletop of the operating table to the leg side maximum position prior to placing the patient on "Carbon Fiber Extension".
- 3-2. When using this product with "Carbon Fiber Extension", the operating table should be used in the range shown in the following table. Otherwise the operating table could fall down.



MIZUHO Corporation  
3-30-13 Hongo, Bunkyo-ku, Tokyo 113-0033, Japan  
<https://www.mizuho.co.jp>



EMERGO EUROPE  
Westervoortsedijk 60  
6827 AT Arnhem, The Netherlands

Applicable operating table (Note 3)	Slide range (Patient weight limit: 135 kg)		
	a: ← Head direction	b: Middle position	c: → Leg direction
MOT-5801S	▲Not usable	Usable	Usable
MOT-3502	▲Not usable	Usable	Usable
3502 EZ Slide	▲Not usable	Usable	Usable
MOT-3502X	▲Not usable	Usable	Usable
MOT-5701	Usable	Usable	Usable

Note 3: Applicable operating table when using this product with "Carbon Fiber Extension".

- a: State that the tabletop is slid to the head direction from the middle position
- b: Middle position
- c: State that the tabletop is slid to the leg direction from the middle position

### Storage/Life

1. Do not store the device in high temperatures or in areas with high humidity where the temperature has drastic variations.
2. Service life of this product: 7 years  
(Subject to the specified maintenance and inspection and is stored properly.)

### Maintenance/Inspection

<By the user>

1. Check before and after use  
Check that this product is not damaged or broken before and after each use.
2. Cleaning and disinfection  
Wipe off blood, chemicals, contaminants, and other stains with water, and clean the device with gauze or other materials soaked in disinfectants. In addition, use the same disinfectants as the authorized disinfectants on Mizuho's operating table described in the operating table operator's manual.
3. In case of a malfunction  
When this product is broken, clearly label the device as "Broken", "Do not use", "Need repair", etc., and contact your local dealer or Mizuho.

<By agents>

Maintenance and inspection can only be carried out by certified agents of Mizuho.

### Packing

1 piece per pack

### Warranty

MIZUHO Corporation will repair defective parts of this product without charge for one year from the date of delivery/installment except for cases of damage caused by a third party's repair, act of nature, improper use or intentional damage. All other warranty terms and conditions are subject to regulations of MIZUHO Corporation.

### Disposal

This device must be disposed of in accordance with local regulations. Please contact your local distributor for proper disposal.

### Notice

Any serious incident that has occurred in relation to the device should be reported to the manufacturer and the competent authority in which the user and/or patient is established.