

Instruction for Use

Trade Name: Base Unit Attachment

Warning
When using operating table accessories, always pay close attention to the patient. Patients left in the same posture for an extended period of time are at risk for developing nerve paralysis and/or bedsores.

Contraindication/Prohibition

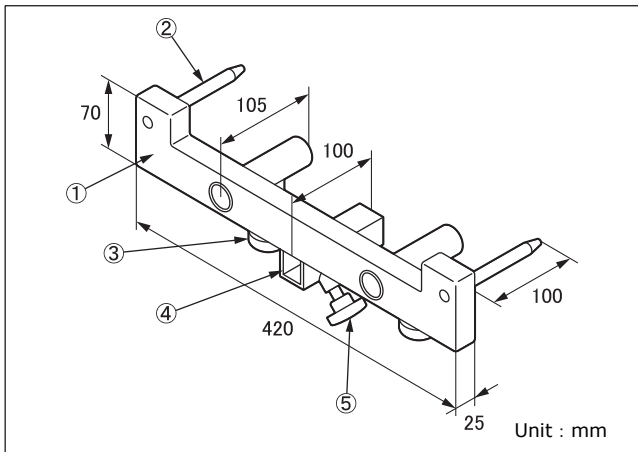
1. This product is only validated for use with Mizuho operating tables.
2. Use only appliances suitable for the intended use of this product. Incorrect use could cause breakage of this product as well as that of tools and appliances used in combination with it.

Symbol mark for labeling

MD : Medical Device

Specifications

1. Shape



- ① Frame
- ② Insertion shaft
- ③ Fixing handle
- ④ Reception hole of the Attachment
- ⑤ Fixing handle of the Attachment

Code No.	Product Description
08-075-11	Attachment for Mayfield Head Support

2. Weight

2.1 kg

3. Material

- ① Frame: Stainless steel
- ② Insertion shaft: Stainless steel
- ③ Fixing handle: Synthetic resin
- ④ Reception hole of the Attachment: Stainless steel
- ⑤ Fixing handle of the Attachment: Synthetic resin

Note: The numbers correspond to those used in 1. Shape.

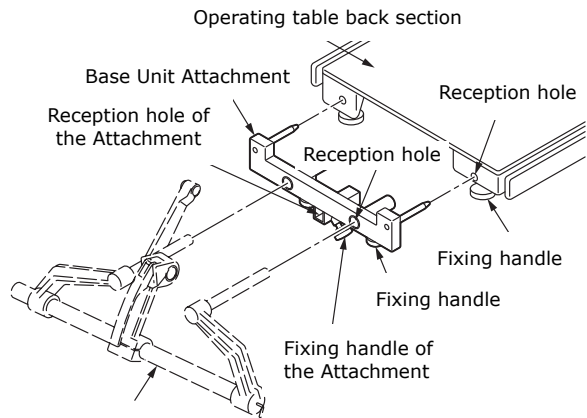
Intended purpose

This is an accessory for the operating table. This product is used to attach the base unit such as the Head Supporter.

Intended user

This product is to be used by health care professionals, including but not limited to surgeons, nurses and biomedical technicians.

Instructions for use



Base Unit

1. Detach the head section from the operating table.
 2. Attach the Base Unit Attachment to the back section reception holes of the operating table.
 3. Tighten the fixing handles of the back section.
 4. Attach the base unit to the reception holes of the Attachment.
 5. Tighten the fixing handles of the Attachment.
 6. Attach the component parts to the base unit according to the instructions for use of the base unit.
- Note: Refer to the instruction manual of the base unit for more usage information of the base unit.

Warning/ Caution

1. Warning
Ensure all fixing handles are tight. Loose condition can cause the products to come off or move, which may result in a patient injury.
2. Important caution
 - 2-1. When working with an operating table, take care not to allow this product to make contact or interfere with the tabletop or with other tools and appliances used in combination with this product. Otherwise the product could break.
 - 2-2. For hygiene, be sure to use sterilized drapes on the areas on this product where the patient comes into contact with it.

Storage/ Life

1. Do not store the device in high temperatures or in areas with high humidity where the temperature has drastic variations.
2. Service life of this product: 7 years
(Subject to the specified maintenance and inspection and is stored properly.)

Maintenance/Inspection

<By the user>

1. Check before and after use
Check that this product is not damaged or broken before and after each use.
2. Cleaning and disinfection
Wipe off blood, chemicals, contaminants, and other stains with water, and clean the device with gauze or other materials soaked in disinfectants. In addition, use the same disinfectants as the authorized disinfectants on Mizuho's operating table described in the operating table operator's manual.
3. In case of malfunction
When this product is broken, clearly label the device as "Broken", "Do not use", "Need repair", etc., and contact your local distributor or Mizuho.

<By agents>

Maintenance and inspection can only be carried out by certified agents of Mizuho.

Packing

1 piece per pack

Warranty

MIZUHO Corporation will repair defective parts of this product without charge for one year from the date of delivery/installment except for cases of damage caused by a third party's repair, acts of nature, improper use or intentional damage. All other warranty terms and conditions are subject to regulations of MIZUHO Corporation.

Disposal

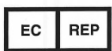
This device must be disposed of in accordance with local regulations. Please contact your local distributor for proper disposal.

Notice

Any serious incident that has occurred in relation to the device should be reported to the manufacturer and the competent authority in which the user and/or patient is established.



MIZUHO Corporation
3-30-13 Hongo, Bunkyo-ku, Tokyo 113-0033, Japan
<https://www.mizuho.co.jp>



EMERGO EUROPE
Westervoortsedijk 60
6827 AT Arnhem, The Netherlands