

## Instruction for Use

### Trade Name: Narrow Head Section

#### Warning

When using operating table accessories, always pay close attention to the patient. Patients left in the same posture for an extended period of time are at risk for developing nerve paralysis and/or bedsores.

#### Contraindication/Prohibition

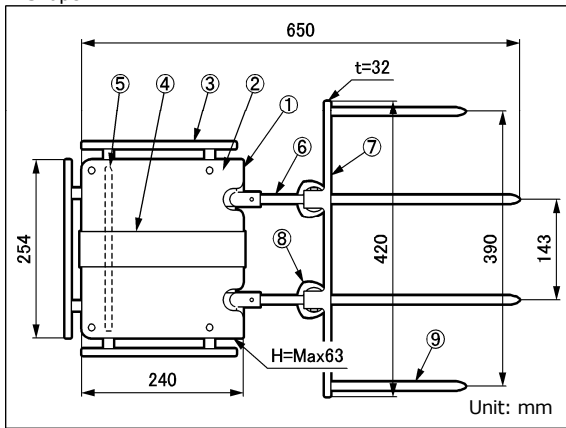
This product is only validated for use with Mizuho operating tables.

#### Symbol mark for labeling

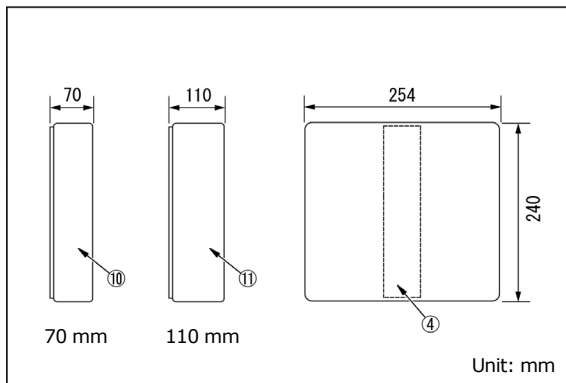
**MD** : Medical Device

#### Specifications

##### 1. Shape



Narrow Head Section



Pad

Code No.	Product Description	Components
08-075-00	Narrow Head Section *1	①~⑨
08-075-00-R1	Narrow Head Section (R1) *2	①~⑨
08-075-00-R2	Narrow Head Section (R2) *3	①~⑨
08-083-69	70 mm Pad for Narrow Head Section	④⑩
08-083-70	110 mm Pad for Narrow Head Section	④⑪

Note: The number corresponds to those used in 1. Shape.

\*1, \*2 and \*3: The size of mountable side rail is different.

##### 2. Weight

Narrow Head Section: 7.5 kg

Pad (70 mm): 0.2 kg

Pad (110 mm): 0.3 kg

##### 3. Material

① Head section frame: Aluminum alloy

② Board: Thermosetting resin

③ Side rail: Stainless steel

④ Velcro tape: Nylon

⑤ Head section flexing lever: Aluminum alloy

⑥ Head section insertion shaft: Stainless steel

⑦ Attachment frame: Stainless steel

⑧ Fixing handle: Stainless steel

⑨ Attachment insertion shaft: Stainless steel

⑩ Pad: Polyurethane

Note: The number corresponds to those used in 1. Shape.

##### 4. Function

Head section flexing range:

Upwards: 60°, Downwards: 90° (Manual)

#### Intended purpose

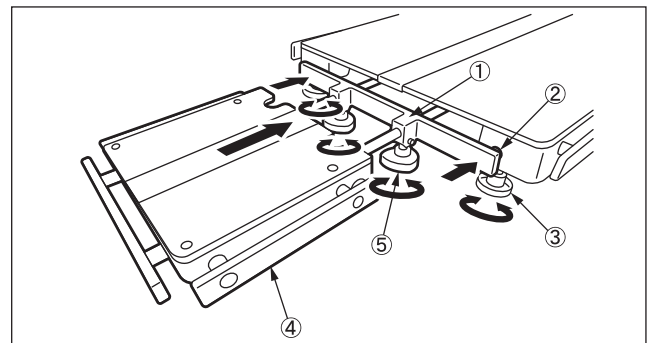
This is an accessory for the operating table. This product is narrower than the normal head section. It is attached to the main unit of the operating table via the attachment, to support the head.

#### Intended user

This product is to be used by health care professionals, including but not limited to surgeons, nurses and biomedical technicians.

#### Instructions for use

##### 1. Attachment



1-1. When this product is attached to the operating table with the sliding function, set the tabletop so that it is at the center position.

1-2. Detach the head section from the operating table.

1-3. Insert the attachment① into the head section reception hole②, and fix it by turning the head section fixing handle③.

1-4. Insert the Head Section④ into the attachment①, and fix it by turning the fixing handle⑤.

##### 2. Applicable operating tables

Refer to the brochure "OPERATING TABLE ACCESSORIES" of Mizuho.

## Warning/Caution

1. Warning  
Ensure all fixing handles are tight. Loose condition can cause the product to come off or move, which may result in a patient injury.
2. Important cautions
  - 2-1. After attaching this product to the operating table, do not use the sliding function and keep the tabletop in the center position.
  - 2-2. When working with an operating table, take care not to allow this product to make contact or interfere with the tabletop or with other tools and appliances used in combination with this product. Otherwise the product could break.
  - 2-3. For hygiene, be sure to use sterilized drapes on the areas on this product where the patient comes into contact with it.

## Storage/Life

1. Do not store the device in high temperatures or in areas with high humidity where the temperature has drastic variations.
2. Service life of this product: 7 years  
(Subject to the specified maintenance and inspection and is stored properly.)

## Maintenance/Inspection

<By the user>

1. Check before and after use  
Check that this product is not damaged or broken before and after each use.
2. Cleaning and disinfection  
Wipe off blood, chemicals, contaminants, and other stains with water, and clean the device with gauze or other materials soaked in disinfectants. In addition, use the same disinfectants as the authorized disinfectants on Mizuho's operating table described in the operating table operator's manual.
3. In case of a malfunction  
When this product is broken, clearly label the device as "Broken", "Do not use", "Need repair", etc., and contact your local distributor or Mizuho.

<By agents>

Maintenance and inspection can only be carried out by certified agents of Mizuho.

## Packing

1 piece per pack

## Warranty

MIZUHO Corporation will repair defective parts of this product without charge for one year from the date of delivery/installment except for cases of damage caused by a third party's repair, act of nature, improper use or intentional damage. All other warranty terms and conditions are subject to regulations of MIZUHO Corporation.

## Disposal

This device must be disposed of in accordance with local regulations. Please contact your local distributor for proper disposal.

## Notice

Any serious incident that has occurred in relation to the device should be reported to the manufacturer and the competent authority in which the user and/or patient is established.



MIZUHO Corporation  
3-30-13 Hongo, Bunkyo-ku, Tokyo 113-0033, Japan  
<https://www.mizuho.co.jp>



EMERGO EUROPE  
Westervoortsedijk 60  
6827 AT Arnhem, The Netherlands