

## Instruction for Use

### Trade Name: KUB Board

#### Warning

When using operating table accessories, always pay close attention to the patient. Patients left in the same posture for an extended period of time are at risk for developing nerve paralysis and/or bedsores.

#### Contraindication/Prohibition

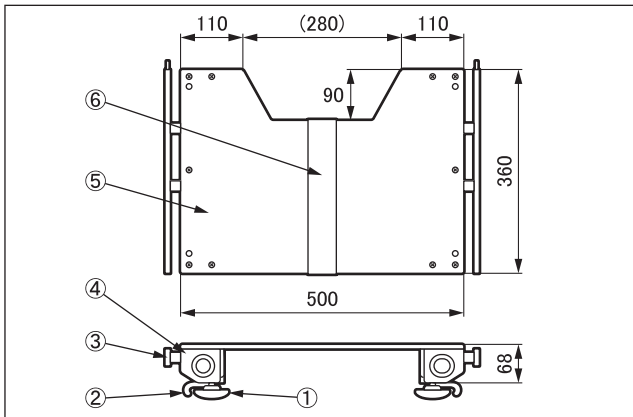
1. This product is only validated for use with Mizuho operating tables.
2. Use only on the models listed in **Instructions for use**, 2. Applicable operating tables.

#### Symbol mark for labeling

**MD** : Medical Device

#### Specifications

1. Shape Unit: mm



Code No.	Product Description	Side rail height	Side rail thickness
08-072-10-R1	KUB board (R1)	28.6 mm	9.4 mm
08-072-10-R2	KUB board (R2)	25 mm	10 mm

2. Weight  
6.7 kg
3. Material
  - ① Fixing handle: Stainless steel
  - ② Attaching/detaching lever: Carbon steel
  - ③ Side rail: Stainless steel
  - ④ Frame: Aluminum alloy
  - ⑤ Board: Thermosetting resin
  - ⑥ Velcro tape: Nylon

Note: The number corresponds to those used in 1. Shape.

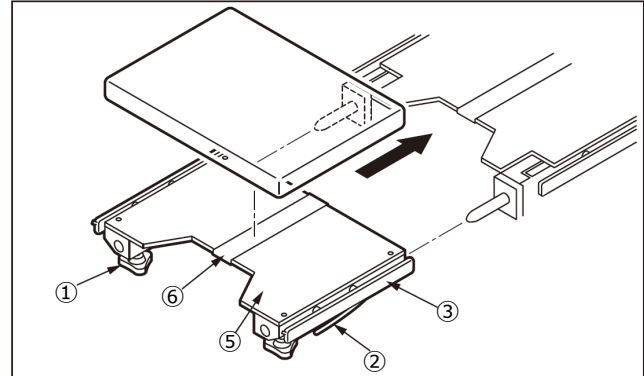
#### Intended purpose

This is an accessory for the operating table. This product is attached to the seat section of the operating table from which the leg section is detached. It is used as an attachment for surgery of urinary organ.

#### Intended user

This product is to be used by health care professionals, including but not limited to surgeons, nurses and biomedical technicians.

#### Instructions for use



1. Attachment
  - 1-1. While pressing the attaching/detaching levers②, insert the board⑤ into the insertion shafts of the seat section of the operating table.
  - 1-2. Attach the pad to the velcro tape⑥.
  - 1-3. When necessary, attach other accessories to the reception holes of the frame④ with the fixing handles① or to the side rails③.

Note: The pad is not included.
2. Applicable operating tables  
Refer to the brochure "OPERATING TABLE ACCESSORIES" of Mizuho.

#### Warning/ Caution

1. Warning  
Ensure all fixing handles are tight. Loose condition can cause the product to come off or move, which may result in a patient injury.
2. Important caution
  - 2-1. When working with an operating table, take care not to allow this product to make contact or interfere with the tabletop or with other tools and appliances used in combination with this product. Otherwise the product could break.
  - 2-2. For hygiene, be sure to use sterilized drapes on the areas on this product where the patient comes into contact with it.

#### Storage/Life

1. Do not store the device in high temperatures or in areas with high humidity where the temperature has drastic variations.
2. Service life of this product: 7 years  
(Subject to the specified maintenance and inspection and is stored properly.)

#### Maintenance/Inspection

<By the user>

1. Check before and after use  
Check that this product is not damaged or broken before and after each use.
2. Cleaning and disinfection  
Wipe off blood, chemicals, contaminants, and other stains with water, and clean the device with gauze or other materials soaked in disinfectants. In addition, use the same disinfectants as the authorized disinfectants on Mizuho's operating table described in the operating table operator's manual.
3. In case of a malfunction  
When this product is broken, clearly label the device as "Broken", "Do not use", "Need repair", etc., and contact your local distributor or Mizuho.

<By agents>

Maintenance and inspection can only be carried out by certified agents of Mizuho.

#### **Packing**

1 piece per pack

#### **Warranty**

MIZUHO Corporation will repair defective parts of this product without charge for one year from the date of delivery/installment except for cases of damage caused by a third party's repair, act of nature, improper use or intentional damage. All other warranty terms and conditions are subject to regulations of MIZUHO Corporation.

#### **Disposal**

This device must be disposed of in accordance with local regulations. Please contact your local distributor for proper disposal.

#### **Notice**

Any serious incident that has occurred in relation to the device should be reported to the manufacturer and the competent authority in which the user and/or patient is established.



MIZUHO Corporation  
3-30-13 Hongo, Bunkyo-ku, Tokyo 113-0033, Japan  
<https://www.mizuho.co.jp>



EMERGO EUROPE  
Westervoortsedijk 60  
6827 AT Arnhem, The Netherlands