

Instruction for Use

Trade Name: Foot Rests

Warning

When using operating table accessories, always pay close attention to the patient. Patients left in the same posture for an extended period of time are at risk for developing nerve paralysis and/or bedsores.

Contraindication/Prohibition

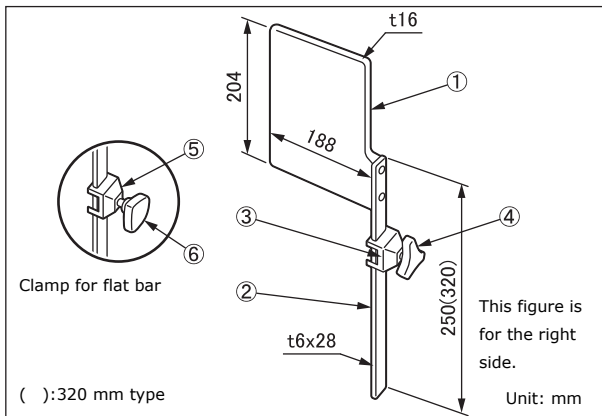
This product is only validated for use with Mizuho operating tables.

Symbol mark for labeling

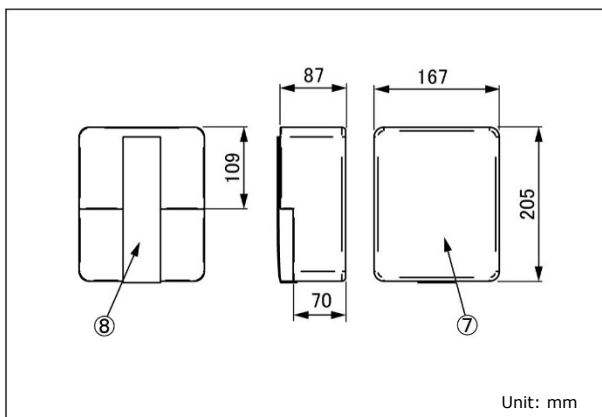
MD : Medical Device

Specifications

1. Shape



Foot Rests and Clamp for Flat Bar



Pad

Code No.	Product Description	Components
08-071-01	Foot Rests (250mm)	①②
08-071-02	Foot Rests with Clamps (320mm) *3	①②⑤⑥
08-071-03	Foot Rests (320mm)	①②
08-071-04	Foot Rests with Clamps Ver. 2 (320mm) *4	①②③④
08-111-00	Clamp for Flat Bar *5	⑤⑥
08-111-11	Clamp for Flat Bar Ver.2 *5	③④
08-117-02	Clamp for Flat Bar (R1) *6	⑤⑥
08-117-10	Clamp for Flat Bar Ver.2 (R1) *6	③④
08-117-12	Clamp for Flat Bar (R2) *7	⑤⑥
08-117-13	Clamp for Flat Bar Ver.2 (R2) *7	③④
08-071-05	Mizuho Original Pads for Foot Rests	⑦⑧

*1: The numbers correspond to those used in 1. Shape.

*2: 1 set (1 each for right and left)

*3: Accompanied by 08-111-00

*4: Accompanied by 08-111-11

*5, *6 and *7: The size of mountable side rail is different.

2. Weight (per piece)

Main unit

Foot Rests (250mm): 1.1 kg

Foot Rests (320mm): 1.2 kg

Clamp for flat bar

Clamp for Flat Bar: 0.2 kg

Clamp for Flat Bar Ver.2: 0.4 kg

Pad: 0.2 kg

3. Material

Main unit

① Foot rest: Aluminum alloy

② Support pole: Stainless steel

Clamp for flat bar

③ Clamp for Flat Bar Ver.2: Stainless steel

④ Fixing handle Ver.2: Aluminum alloy, Stainless steel

⑤ Clamp for Flat Bar: Stainless steel

⑥ Fixing handle: Synthetic resin, Stainless steel

⑦ Pad: Polyurethane

⑧ Velcro tape: Nylon

Note: The numbers correspond to those used in 1. Shape.

Intended purpose

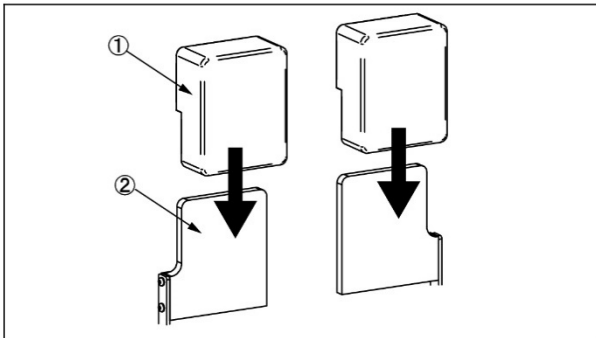
This is an accessory for the operating table.

This accessory is used for supporting a patient's foot in the reverse Trendelenburg position (tilted so that the foot is lower than the head).

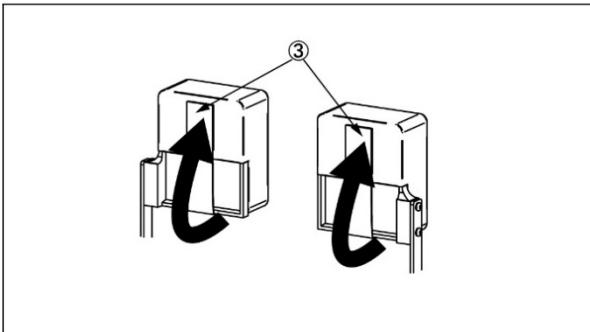
Intended user

This product is to be used by health care professionals, including but not limited to surgeons, nurses and biomedical technicians.

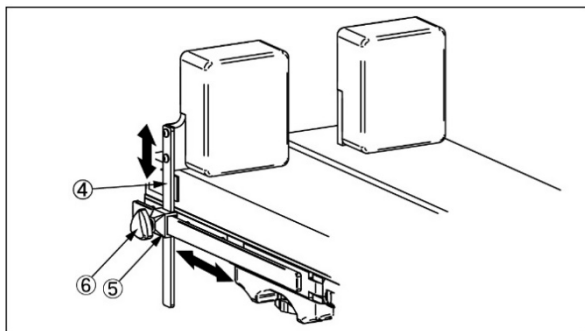
Instructions for use



1. Insert the pad① into the foot rest②.



2. Turn the velcro tape③ from the underside of the pad① to the back topside to fix the pad①.



3. Attach the rail clamp⑤ to the side rail of the operating table.
4. Insert the support pole④ into the rail clamp⑤ and tighten the fixing handle⑥.
5. Move the foot rest② to a position appropriate for the patient's posture.
6. After the adjustment, tighten the fixing handle⑥ to fix the rail clamp⑤ and the support pole④.
7. After use, check that the operating table is in the level position, loosen the fixing handle⑥ to put out the support pole④, then detach the rail clamp⑤ from the side rail.

Warning/Caution

1. Warning
Ensure all fixing handles are tight. Loose condition can cause the product to come off or move, which may result in a patient injury.
2. Important caution
 - 2-1. When working with an operating table, take care not to allow this product to make contact or interfere with the tabletop or with other tools and appliances used in combination with this product. Otherwise the product could break.
 - 2-2. For hygiene, be sure to use sterilized drapes on the areas on this product where the patient comes into contact with it.
 - 2-3. Use a pair of foot rests (right and left) to support the patient.

Storage/Life

1. Do not store the device in high temperatures or in areas with high humidity where the temperature has drastic variations.
2. Service life of this product: 7 years
(Subject to the specified maintenance and inspection and is stored properly.)

Maintenance/Inspection

<By the user>

1. Check before and after use

Check that this product is not damaged or broken before and after use.

2. Cleaning and disinfection

Wipe off blood, chemicals, contaminants, and other stains with water, and clean the device with gauze or other materials soaked in disinfectants. In addition, use the same disinfectants as the authorized disinfectants on Mizuho's operating table described in the operating table operator's manual.

3. In case of a malfunction

When this product is broken, clearly label the device as "Broken", "Do not use", "Need repair", etc., and contact your local distributor or Mizuho.

<By agents>

Maintenance and inspection can only be carried out by certified agents of Mizuho.

Packing

1 pair per package

Warranty

MIZUHO Corporation will repair defective parts of this product without charge for one year from the date of delivery/installment except for cases of damage caused by a third party's repair, act of nature, improper use or intentional damage. All other warranty terms and conditions are subject to regulations of MIZUHO Corporation

Disposal

This device must be disposed of in accordance with local regulations. Please contact your local distributor for proper disposal.

Notice

Any serious incident that has occurred in relation to the device should be reported to the manufacturer and the competent authority in which the user and/or patient is established.



MIZUHO Corporation
3-30-13 Hongo, Bunkyo-ku, Tokyo 113-0033, Japan
<https://www.mizuho.co.jp>



EMERGO EUROPE
Westervoortsedijk 60
6827 AT Arnhem, The Netherlands