

Instruction for Use

Trade Name: Carbon Fiber Extension

Warning

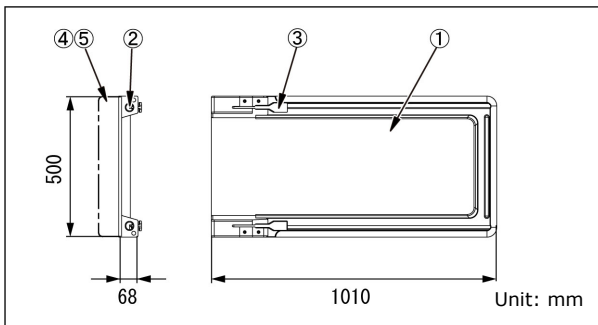
- When using operating table accessories, always pay close attention to the patient. Patients left in the same posture for an extended period of time are at risk for developing bedsores.
- Avoid sudden impacts and excessive vibrations to the device. Doing so may cause unintended movement of the device.

Contraindication/Prohibition

- This product is only validated for use with Mizuho operating tables.
- This product is only validated for use with operating tables shown in **Specification** 1. Applicable models.
- Do not apply impermissible load on this product. (Doing so may damage this product.)

Shape/Structure

- Shape/Structure



Carbon fiber extension

Code No.	Product Description
08-070-54	100cm Carbon Fiber Extension II
08-083-65	70mm Mizuho Original Pad for 100cm Carbon Fiber Extension
08-083-66	110mm Mizuho Original Pad for 100cm Carbon Fiber Extension

- Weight

Carbon fiber extension: 7.5kg

- Material

- ①Carbon fiber extension: Carbon fiber reinforced plastic
- ②Insertion holes: Aluminum alloy plate
- ③Handle: Stainless steel rod /Carbon fiber reinforced plastic
- ④Mattress: Urethane foam
- ⑤MOP Mattress: Urethane foam

Intended purpose

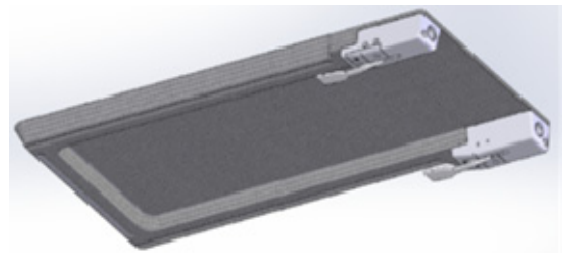
This is an accessory to an operating table. This tool is used for supporting the back, head or legs of a patient. It is made of a carbon-fiber reinforced plastic material with a high degree of radiolucency.

Specification

- Applicable models
 - MOT-5701
 - MOT-3502 (Leg section only.)
 - MOT-3602
 - MOT-6302
 - MOT-6702
 - MST-7300
 - MOT-VS600
- Admissible load of the device
Carbon fiber extension: 120 kg

Instructions for use

- When using for upper body remove the head board and the back board from the operating table.
- When using for lower body remove the leg section from the operating table.
- With the mounting pins of the operating table in the horizontal position, insert the carbon fiber extension completely over the pins.
- Pull the carbon fiber extension (main body) toward you to check that it is fully inserted and locked onto the operating table.
- Attach the specially-designed mattress.



100cm Carbon Fiber Extension II

Caution

Important Caution

- Be sure to check that the carbon fiber extension is fully inserted onto the extended pins of the operating table.
- When working with an operating table, take care not to allow this product to make contact or interfere with the table top or with other tools and appliances used in combination with this product.
- The attachment brackets of the device are made of a metallic material. Take the radiopaque brackets into consideration when using this product for X-ray photography.

Storage/Life

- Do not store the device in high temperatures or in areas with high humidity where the temperature has drastic variations.
- Serve life of this product: 7 years². Service (subject to the specified maintenance and inspection and is stored properly)

Maintenance/Inspection

<By the user>

- Check that this product is not damaged or broken before and after use.

2. Cleaning and disinfection

Wipe off blood, chemicals, contaminants, and other stains with water, and clean the device and pad with gauze or other material moistened with alcohol to disinfect it.

3. If you need to have this product repaired, consult your local dealer or Mizuho.

<By suppliers>

Maintenance and inspection can only be carried out by certified suppliers of Mizuho.

Packing

Main body: 1 piece per pack

Mattress: 1 piece per pack

Name and address of manufacturer



MIZUHO Corporation
3-30-13 Hongo, Bunkyo-ku, Tokyo 113-0033, Japan
<http://www.mizuho.co.jp>

Authorized Representative Europe



Emergo Europe B.V.
Prinsessegracht 20, 2514 AP, The Hague
The Netherlands