

## Instruction for Use

### Trade Name: Pediatric Knee Crutches

#### Warning

When using operating table accessories, always pay close attention to the patient. Patients left in the same posture for an extended period of time are at risk for developing nerve paralysis and/or bedsores.

#### Contraindication/Prohibition

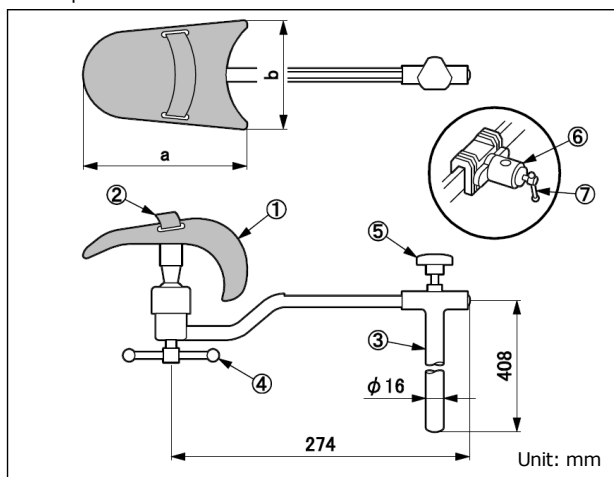
1. This product is only validated for use with Mizuho operating tables.
2. Do not exceed weight capacity specified in **Specifications**, 4. Allowable load. Otherwise the product could break.

#### Symbol mark for labeling

**MD** : Medical Device

#### Specifications

##### 1. Shape



Code No.	Product Description	a	b
08-070-16	Pediatric Knee Crutches with Clamps, Large *1	150	100
08-070-16-NC	Pediatric Knee Crutches, Large (NC) *2	150	100
08-070-17	Pediatric Knee Crutches with Clamps, Middle *1	120	80
08-070-17-NC	Pediatric Knee Crutches, Middle (NC) *2	120	80
08-070-18	Pediatric Knee Crutches with Clamps, Small *1	85	50
08-070-18-NC	Pediatric Knee Crutches, Small (NC) *2	85	50

Code No.	Product Description
08-110-01	Clamp for Round Bar *3
08-117-09	Clamp for Round Bar (R1) *4
08-117-11	Clamp for Round Bar (R2) *5

\*1: \*3 is included.

\*2: Select \*4 or \*5 to use \*2.

\*3, \*4 and \*5: The size of mountable side rail is different.

##### 2. Weight

08-070-16	: 2.9 kg
08-070-16-NC	: 2.0 kg
08-070-17	: 2.7 kg
08-070-17-NC	: 1.8 kg
08-070-18	: 2.5 kg
08-070-18-NC	: 1.6 kg
08-110-01, 08-117-09, 08-117-11:	0.9 kg

##### 3. Material

- ① Thigh receiver: Stainless steel, Polyurethane
- ② Fixing band: Nylon
- ③ Support pole: Stainless steel
- ④ Thigh receiver fixing handle: Stainless steel
- ⑤ Thigh receiver adjustment handle: Stainless steel
- ⑥ Rail clamp: Stainless steel
- ⑦ Fixing handle: Stainless steel

Note: The numbers correspond to those in 1. Shape.

##### 4. Allowable load

Unit: 17 kg  
Maximum patient weight: 95 kg

#### Intended purpose

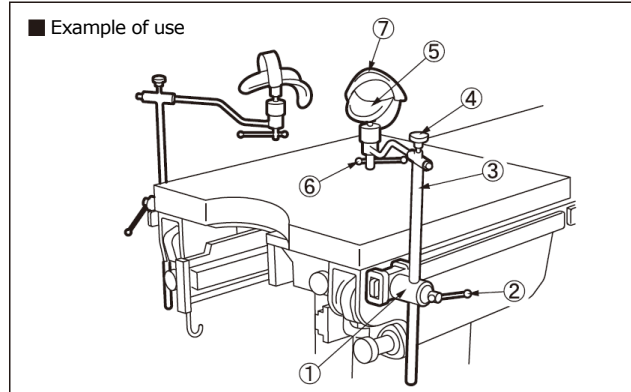
This is an accessory for the operating table.

This product is mainly for supporting the legs in lithotomy position for pediatric patients.

#### Intended user

This product is to be used by health care professionals, including but not limited to surgeons, nurses and biomedical technicians.

#### Instructions for use



##### 1. Attach the Knee Crutches symmetrically.

- 1-1. Attach the rail clamp ① to the side rail of the operating table.
- 1-2. Insert the support pole ③ into the rail ①, and then tighten the fixing handle ②.
- 1-3. Adjust the position of the support pole ③ and the thigh receiver ⑤ according to the posture of the patient.
- 1-4. After the adjustment, turn the fixing handle ② to fix the rail clamp ① and the support pole ③.

2. Move the patient in a way that the pubic bone comes at the place where the Knee Crutches is attached, and place the patient on the Knee Crutches.
- 2-1. Adjust the position of the thigh receiver<sup>⑤</sup> by loosening the thigh receiver adjustment handle<sup>④</sup> and the thigh receiver fixing handle<sup>⑥</sup>.
- 2-2. After the adjustment, tighten the thigh receiver adjustment handle<sup>④</sup> and the thigh receiver fixing handle<sup>⑥</sup> to fix the thigh receiver<sup>⑤</sup>.
- 2-3. Fix the thigh of the patient with the fixing band<sup>⑦</sup>.

### Warning/Caution

1. Warning
 

Ensure all fixing handles are tight. Loose condition can cause the product to come off or move, which may result in a patient injury.
2. Important cautions
  - 2-1. When working with an operating table, take care not to allow this product to make contact or interfere with the tabletop or with other tools and appliances used in combination with this product. Otherwise the product could break.
  - 2-2. Set this product in symmetrical positions.
  - 2-3. For hygiene, be sure to use sterilized drapes on the areas on this product where the patient comes into contact with it.

### Storage/Life

1. Do not store the device in high temperatures or in areas with high humidity where the temperature has drastic variations.
2. Service life of this product: 7 years  
(Subject to the specified maintenance and inspection and is stored properly.)

### Maintenance/Inspection

<By the user>

1. Check before and after use
 

Check that this product is not damaged or broken before and after each use.
2. Cleaning and disinfection
 

Wipe off blood, chemicals, contaminants, and other stains with water, and clean the device with gauze or other materials soaked in disinfectants. In addition, use the same disinfectants as the authorized disinfectants on Mizuho's operating table described in the operating table operator's manual.
3. In case of a malfunction
 

When this product is broken, clearly label the device as "Broken", "Do not use", "Need repair", etc., and contact your local distributor or Mizuho.

<By agents>

Maintenance and inspection can only be carried out by certified agents of Mizuho.

### Packing

1 pair per package

### Warranty

MIZUHO Corporation will repair defective parts of this product without charge for one year from the date of delivery/installment except for cases of damage caused by a third party's repair, act of nature, improper use or intentional damage. All other warranty terms and conditions are subject to regulations of MIZUHO Corporation.

### Disposal

This device must be disposed of in accordance with local regulations. Please contact your local distributor for proper disposal.

### Notice

Any serious incident that has occurred in relation to the device should be reported to the manufacturer and the competent authority in which the user and/or patient is established.



MIZUHO Corporation  
3-30-13 Hongo, Bunkyo-ku, Tokyo 113-0033, Japan  
<https://www.mizuho.co.jp>



EMERGO EUROPE  
Westervoortsedijk 60  
6827 AT Arnhem, The Netherlands