

## Instruction for Use

Trade Name: Knee Crutches

### Warning

- When using operating table accessories, always pay close attention to the patient. Patients left in the same posture for an extended period of time are at risk for developing compartment syndrome, neuropathy, nerve paralysis, bedsores and/or redness.
- Set this product symmetrically for both legs. If it is displaced at one side, a serious neuropathy, circulatory disturbance or interruption in the blood circulation could occur on the hip joint of patient.
- When adjusting the position of the Thigh rest, always operate the Thigh rest fixing handle while holding the patient's leg. Otherwise the Thigh rest may move suddenly, causing a serious neuropathy, circulatory disturbance or interruption in the blood circulation.
- Adjust the height and the angle of open legs slowly. Abrupt movement could cause a serious neuropathy, circulatory disturbance or interruption in the blood circulation.
- Avoid compression of the lateral aspect of the peroneal nerve. Failure to do so could cause paralysis.

### Contraindication/Prohibition

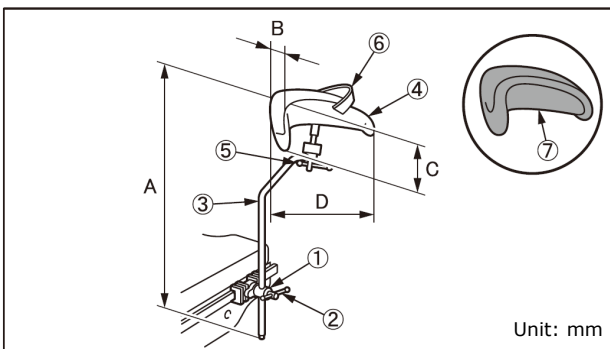
- This product is only validated for use with Mizuho operating tables.
- Do not place the patient's leg directly on this product. Doing so could result in a burn due to a contact with an electrosurgical knife or nerve paralysis.

### Symbol mark for labeling

**MD** : Medical Device

### Specifications

#### 1. Shape



Code No.	Product Description
08-070-00	Knee Crutches with Clamps *1
08-070-00-UE	Knee Crutches (UE)
08-070-13	Urethane Pad for Knee Crutches
08-110-01	Clamp for Round Bar *2
08-117-09	Clamp for Round Bar (R1) *3
08-117-11	Clamp for Round Bar (R2) *4

\*1: \*2 is included.

\*2, \*3, and \*4: The size of mountable side rail is different.

#### 2. Dimension (A x B x C x D)

770 x 170 x 160 x 220 (mm): 08-070-00

970 x 170 x 160 x 220 (mm): 08-070-00-UE

#### 3. Weight (per piece)

Main unit: 2.1 kg (08-070-00), 2.4 kg (08-070-00-UE)

Rail clamp: 0.9 kg (including R1/R2)

#### 4. Material

- Rail clamp: Stainless steel
- Fixing handle: Stainless steel
- Support pole: Stainless steel
- Thigh rest: Stainless steel
- Thigh rest fixing handle: Stainless steel
- Thigh strap: Nylon
- Pad: Polyurethane

Note: The number corresponds to those used in 1. Shape.

### Intended purpose

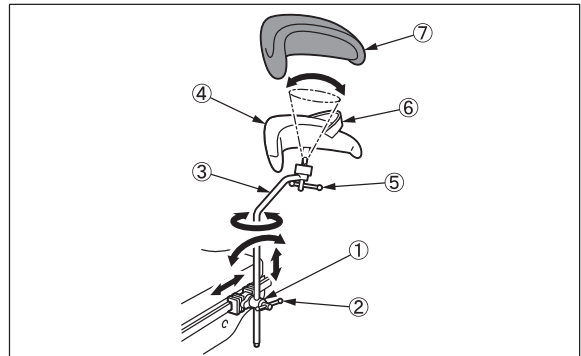
This is an accessory for the operating table.

This tool is used for supporting the patient's legs mainly in the lithotomy position for a urological, gynecological or similar operation or examination.

### Intended user

This product is to be used by health care professionals, including but not limited to surgeons, nurses and biomedical technicians.

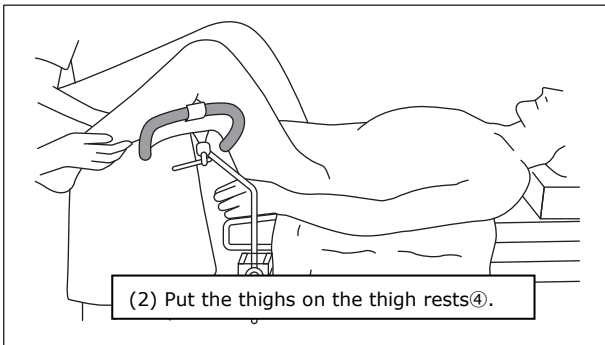
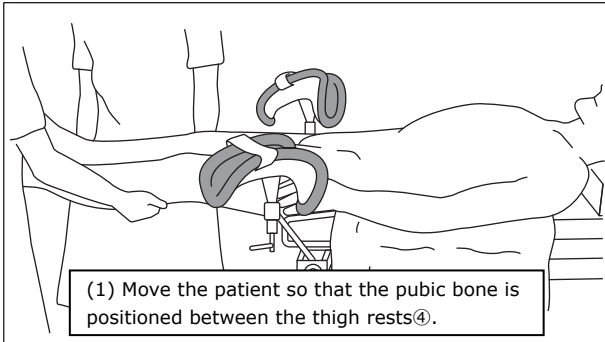
### Instructions for use



- |                 |                            |
|-----------------|----------------------------|
| ① Rail clamp    | ④ Thigh rest               |
| ② Fixing handle | ⑤ Thigh rest fixing handle |
| ③ Support pole  | ⑥ Thigh strap              |
|                 | ⑦ Pad                      |

- Attach this product in bilaterally symmetrical positions.
  - Attach the pads⑦ to the thigh rests④.
  - Attach the rail clamps① to the side rails of the operating table.
  - Insert the support poles③ into the rail clamps① and tighten the fixing handles② to temporarily fix the support poles③.
  - Move the support poles③ to a position appropriate for the patient's posture.
  - After the adjustment, tighten the fixing handles② to fix the rail clamps① and the support poles③.

2. Move the patient so that the pubic bone is positioned between the thigh rests④, and then put the thighs on the thigh rests④.



- 2-1. Put the thighs on the thigh rests④ with pads⑦ specifically designed for this product or appropriate padding.
- 2-2. Loosen the thigh rest fixing handles⑤ and adjust the angles of the thigh rests④ as required.
- 2-3. After the adjustment, tighten the thigh rest fixing handles⑤ to fix the thigh rests④.
- 2-4. Fix the patient's legs with the thigh straps⑥.

#### Warning / Caution

1. Warning
  - Ensure all fixing handles are tight. Loose condition can cause the product to come off or move, which may result in a patient injury.
2. Important caution
  - 2-1. When working with an operating table, take care not to allow this product to make contact or interfere with the tabletop or with other tools and appliances used in combination with this product. Otherwise the product could break.
  - 2-2. Protect the legs by covering the Urethane Pad for Knee Crutches specifically designed for this product or appropriate padding.
  - 2-3. For hygiene, be sure to use sterilized drapes on the areas on this product where the patient comes into contact with it.
3. Defect/Adverse event
 

[Following defects or adverse events could be encountered during the use of this product (not limited to these). If any of such anomaly is discovered, take necessary action.]

  - 3-1. Defect
    - Malfunction
    - Failure
    - Damage
  - 3-2. Adverse event
    - Injury
    - Redness
    - Neuro paralysis or neuropathy
    - Peroneal nerve paralysis
    - Compartment syndrome
    - Muscle crush syndrome
    - Crush syndrome
    - Circulatory disturbance
    - Interruption in the blood circulation
    - Bedsore

#### 4. Important caution

- 4-1. Users should be trained to get used to the usage of the product before using it to the patient.
- 4-2. The patient may inform the medical staff of the postural limits before being anesthetized. Confirm the posture with the patient before fixing.
- 4-3. When using this product, palpate the dorsalis pedis artery, check the skin color and temperature of the legs to see if there is no impaired blood flow.

#### Storage/Life

1. Do not store the device in high temperatures or in areas with high humidity where the temperature has drastic variations.
2. Service life of this product: 7 years  
(Subject to the specified maintenance and inspection and is stored properly.)

#### Maintenance/Inspection

<By the user>

1. Check before and after use
  - Check that this product is not damaged or broken before and after each use.
2. Cleaning and disinfection
  - Wipe off blood, chemicals, contaminants, and other stains with water, and clean the device with gauze or other materials soaked in disinfectants. In addition, use the same disinfectants as the authorized disinfectants on Mizuho's operating table described in the operating table operator's manual.
3. In case of a malfunction
  - When this product is broken, clearly label the device as "Broken", "Do not use", "Need repair", etc., and contact your local distributor or Mizuho.

<By agents>

Maintenance and inspection can only be carried out by certified agents of Mizuho.

#### Packing

1 pair per package

#### Warranty

MIZUHO Corporation will repair defective parts of this product without charge for one year from the date of delivery/installment except for cases of damage caused by a third party's repair, act of nature, improper use or intentional damage. All other warranty terms and conditions are subject to regulations of MIZUHO Corporation.

#### Disposal

This device must be disposed of in accordance with local regulations. Please contact your local distributor for proper disposal.

#### Notice

Any serious incident that has occurred in relation to the device should be reported to the manufacturer and the competent authority in which the user and/or patient is established.



MIZUHO Corporation  
3-30-13 Hongo, Bunkyo-ku, Tokyo 113-0033, Japan  
<https://www.mizuho.co.jp>



EMERGO EUROPE  
Westervoortsedijk 60  
6827 AT Arnhem, The Netherlands