

## Instruction for Use

Trade Name: Chest & Waist Support

### Warning

When using operating table accessories, always pay close attention to the patient. Patients left in the same posture for an extended period of time are at risk for developing nerve paralysis and/or bedsores.

### Contraindication/Prohibition

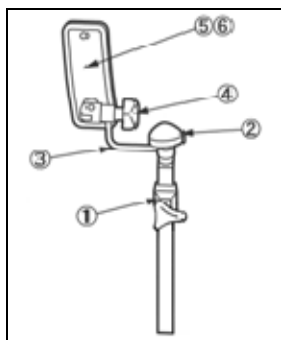
1. This product is only validated for use with Mizuho operating tables.
2. Ensure all fixing handles are tight. Loose condition can cause the product to come off or move, which may result in a patient injury.

### Symbol mark for labeling

**MD** : Medical Device

### Specifications

1. Shape



- ① Clamp for flat bar Ver.2
- ② Arm clamp handle
- ③ Arm
- ④ Pad clamp handle
- ⑤ Pad (Standard type)
- ⑥ Pad (Radiographic type)

Code No.	Product Description	Composition	Weight
08-069-42	Radiographic Chest & Waist Support with Clamp Ver.2	①②③④⑥	1.6 kg*
08-069-44	Chest & Waist Support with Clamps Ver. 2	①②③④⑤	1.9 kg*
08-111-11	Clamp for Flat Bar Ver.2	①	0.4kg

\* Gross weight includes Chest & waist support with clamps Ver. 2

2. Material

#### Main Body

Support pole, arm: Stainless steel rod

Pad (Standard type):

Urethane Foam / Stainless steel plate

Pad (Radiographic type):

Urethane Foam / Polyethylene terephthalate

Clamp handle: Stainless steel / Plastic molding

#### Clamp

Clamp for flat bar Ver.2: Stainless steel / Aluminum alloy

### Intended purpose

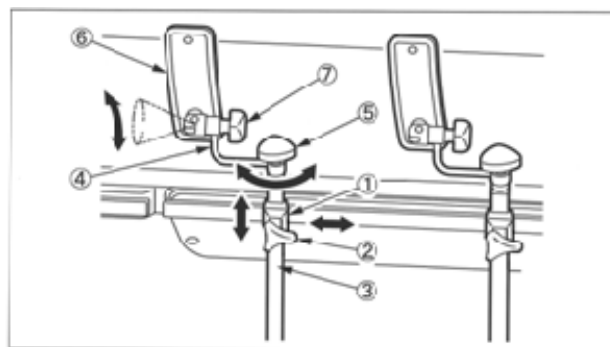
This is an accessory to an operating table.

This tool is used for supporting a patient to keep him/her in the lateral recumbent position.

### Intended user

This product is to be used by health care professionals, including but not limited to surgeons, nurses and biomedical technicians.

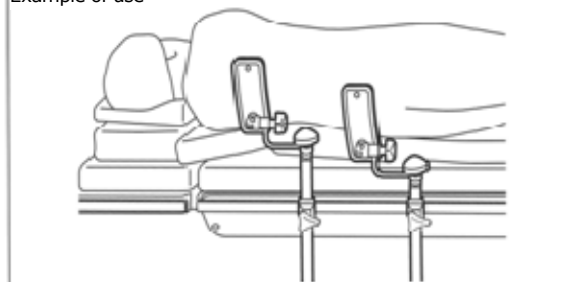
### Instructions for use



- ① Clamp for flat bar Ver.2
- ② Fixing handle
- ③ Support pole
- ④ Arm
- ⑤ Arm clamp handle
- ⑥ Pad
- ⑦ Pad clamp handle

1. Attach the clamp① to the side rail of the operating table.
2. Insert the support pole③ into the clamp① and tighten the fixing handle② to temporarily secure the support pole.
3. Move the arm④ to a position appropriate for the patient's posture.
4. After the adjustment, rotate the fixing handle② and the arm clamp handle⑤ to secure the clamp ① and the arm④.
5. Loosen the pad clamp handle⑦ to adjust the angle of the pad⑥.
6. After adjustment, tighten the pad clamp handle⑦ to secure the pad⑥.

### Example of use



### Warning / Caution

#### Important cautions

1. When working with an operating table, take care not to allow this product to make contact or interfere with the table top or with other tools and appliances used in combination with this product.
2. Use two or more chest & waist supports to support the patient.
3. For hygiene, be sure to use sterilized drapes on the areas on this product where the patient comes into contact with it.

### Storage/Life

1. Do not store the device in high temperatures or in areas with high humidity where the temperature has drastic variations.
2. Service life of this product: 7 years  
(subject to the specified maintenance and inspection and is stored properly)

## Maintenance / Inspection

<By the user>

1. Inspection before and after use  
Check that this product is not damaged or broken before and after use.
2. Cleaning and disinfection  
Wipe off blood, chemicals, contaminants, and other stains with water, and clean the device with gauze or other material moistened with alcohol to disinfect.
3. In case of a malfunction  
If you need to have this product repaired, clearly label the device as "Broken", "Need repair" etc. and contact your local dealer or Mizuho.

<By agents>

Maintenance and inspection can only be carried out by certified agents of Mizuho.

## Packing

1 piece per pack

## Warranty

MIZUHO Corporation will repair defective parts of this product without charge for one year from the date of delivery/installment except for cases of damage caused by a third party's repair, act of nature, improper use or intentional purpose. All other warranty terms and conditions are subject to regulations of MIZUHO Corporation.

## Disposal

This device must be disposed of in accordance with local regulations. Please contact your local distributor for proper disposal.

## Notice

Any serious incident that has occurred in relation to the device should be reported to the manufacturer and the competent authority in which the user and / or patient is established.

## Manufacturer



MIZUHO Corporation  
3-30-13 Hongo, Bunkyo-ku, Tokyo 113-0033, Japan  
<http://www.mizuho.co.jp>

## European authorized representative



Emergo Europe B.V.  
Prinsessegracht 20, 2514 AP, The Hague  
The Netherlands