

Instruction for Use

Trade Name: Lateral Support

Warning

When using operating table accessories, always pay close attention to the patient. Patients left in the same posture for an extended period of time are at risk for developing nerve paralysis and/or bedsores.

Contraindication/Prohibition

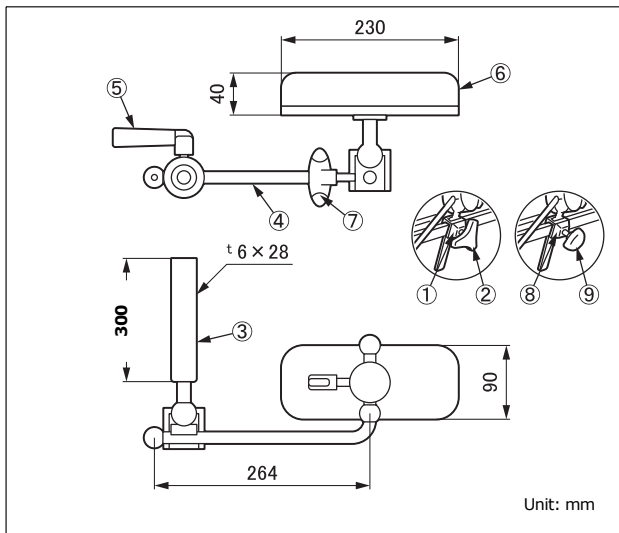
1. This product is only validated for use with Mizuho operating tables.
2. Do not exceed the allowable load specified in **Specifications**, 4. Allowable load. Otherwise the product could break.

Symbol mark for labeling

MD : Medical Device

Specifications

1. Shape



| Code No. | Product Description | Components |
|--------------|-------------------------------------|------------|
| 08-069-24 | Lateral support with clamp *1 | ③-⑨ |
| 08-069-24-NC | Lateral support (NC) *2 | ③-⑦ |
| 08-069-41 | Lateral support with clamp Ver.2 *3 | ①-⑦ |
| 08-111-00 | Clamp for flat bar *4 | ⑧⑨ |
| 08-111-11 | Clamp for flat bar Ver.2 *5 | ①② |
| 08-117-02 | Clamp for flat bar (R1) *6 | ⑧⑨ |
| 08-117-10 | Clamp for flat bar Ver.2 (R1) *7 | ①② |
| 08-117-12 | Clamp for flat bar (R2) *8 | ⑧⑨ |
| 08-117-13 | Clamp for flat bar Ver.2 (R2) *9 | ①② |

Note: The number corresponds to those used in 1. Shape.

*1: *4 is included.

*2: Select *6, *7, *8 or *9 to use *2.

*3: *5 is included.

*4, *5, *6, *7, *8 and *9: The size of mountable side rail is different.

2. Weight

Main unit: 2.2 kg

Clamp for flat bar: 0.2 kg (including R1/R2)

Clamp for flat bar Ver.2: 0.4 kg (including R1/R2)

3. Material

- ① Rail clamp: Stainless steel
- ② Fixing handle: Synthetic resin
- ③ Support pole: Stainless steel
- ④ Arm: Stainless steel
- ⑤ Arm lever: Synthetic resin
- ⑥ Pad: Polyurethane
- ⑦ Pad lever: Synthetic resin
- ⑧ Rail clamp: Stainless steel
- ⑨ Fixing handle: Aluminum alloy

Note: The number corresponds to those used in 1. Shape.

4. Allowable load

Unit: 16 kg

Maximum patient weight: 95 kg

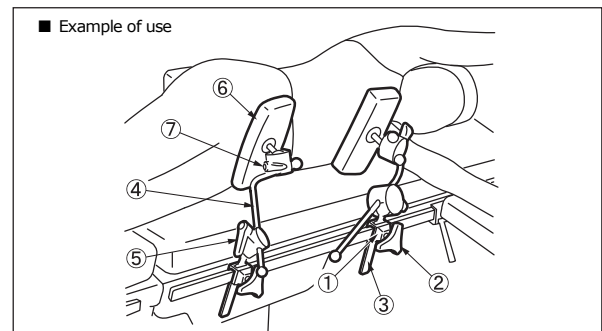
Intended purpose

This is an accessory for the operating table. This is a tool for supporting a patient lying in the lateral recumbent position.

Intended user

This product is to be used by health care professionals, including but not limited to surgeons, nurses and biomedical technicians.

Instructions for use



- ① Rail clamp
- ② Fixing handle
- ③ Support pole
- ④ Arm
- ⑤ Arm lever
- ⑥ Pad
- ⑦ Pad lever

1. Attach the rail clamp① to the side rail of the operating table.
2. Insert the support pole③ into the rail clamp① and tighten the fixing handle② to temporarily fix the support pole③.
3. Move the arm④ to a position appropriate for the patient's posture.
4. After the adjustment, tighten the fixing handle② and the arm lever⑤ to fix the rail clamp① and the support pole④.
5. Use the pad lever⑦ to adjust the position and the angle of the pad⑥.
6. After the adjustment, tighten the pad lever⑦ to fix the pad⑥.

Note: The rail clamp shown above is the Clamp for flat bar Ver.2.

Warning/Caution

1. Warning

Ensure all fixing handles are tight. Loose condition can cause the product to come off or move, which may result in a patient injury.

2. Important caution

- 2-1. When working with an operating table, take care not to allow this product to make contact or interfere with the tabletop or with other tools and appliances used in combination with this product. Otherwise the product could break.

2-2. For hygiene, be sure to use sterilized drapes on the areas on this product where the patient comes into contact with it.

Storage/Life

1. Do not store the device in high temperatures or in areas with high humidity where the temperature has drastic variations.
2. Service life of this product: 7 years
(Subject to the specified maintenance and inspection and is stored properly.)

Maintenance/Inspection

<By the user>

1. Check before and after use
Check that this product is not damaged or broken before and after each use.
2. Cleaning and disinfection
Wipe off blood, chemicals, contaminants, and other stains with water, and clean the device with gauze or other materials soaked in disinfectants. In addition, use the same disinfectants as the authorized disinfectants on Mizuho's operating table described in the operating table operator's manual.
3. In case of malfunction
When this product is broken, clearly label the device as "Broken", "Do not use", "Need repair", etc., and contact your local distributor or Mizuho.

<By agents>

Maintenance and inspection can only be carried out certified agents of Mizuho.

Packing

1 piece per pack

Warranty

MIZUHO Corporation will repair defective parts of this product without charge for one year from the date of delivery/installment except for cases of damage caused by a third party's repair, act of nature, improper use or intentional damage. All other warranty terms and conditions are subject to regulations of MIZUHO Corporation.

Disposal

This device must be disposed of in accordance with local regulations. Please contact your local distributor for proper disposal.

Notice

Any serious incident that has occurred in relation to the device should be reported to the manufacturer and the competent authority in which the user and/or patient is established.



MIZUHO Corporation
3-30-13 Hongo, Bunkyo-ku, Tokyo 113-0033, Japan
<https://www.mizuho.co.jp>



EMERGO EUROPE
Westervoortsedijk 60
6827 AT Arnhem, The Netherlands