

## Instruction for Use

### Trade Name: Head End Uro Tray Bracket Only

#### Contraindication/Prohibition

Use only on the models listed in **Instructions for use**, 2. Applicable operating tables.

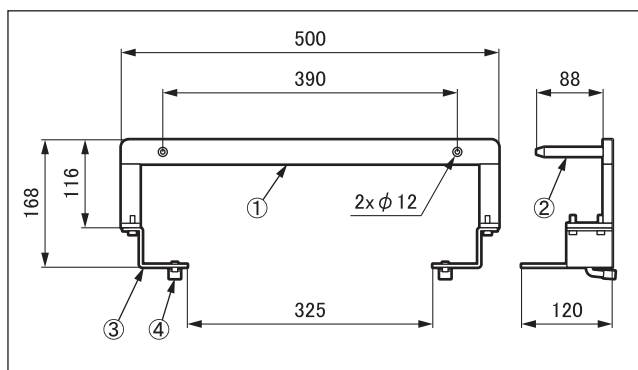
#### Symbol mark for labeling

**MD** : Medical Device

#### Specifications

##### 1. Shape

Unit: mm



Code No.	Product Description
08-068-40-UE	Head End Uro Tray Bracket Only (UE)

##### 2. Weight

2.5 kg

##### 3. Material

- ① Frame: Stainless steel
- ② Insertion shaft: Stainless steel
- ③ Rail plate: Stainless steel
- ④ Stopper: Stainless steel

Note: The number corresponds to those used in 1. Shape.

#### Intended purpose

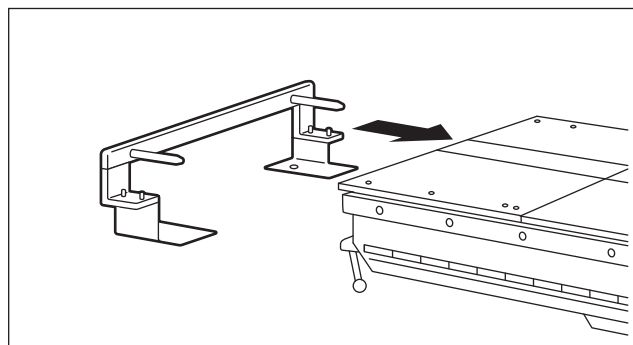
This is an accessory for the operating table. This is an attachment to install the funnel for 3100S.

#### Intended user

This product is to be used by health care professionals, including but not limited to surgeons, nurses and biomedical technicians.

#### Instructions for use

1. Attachment
  - 1-1. Detach the leg section from the operating table.
  - 1-2. Insert the insertion shaft② of this product into the reception hole of the operating table.
  - 1-3. Tighten the fixing lever of the operating table, and confirm that this product is fixed securely.
  - 1-4. Attach and fix the funnel.



#### 2. Applicable operating tables

Product name
SKYTRON ELITE-3100A Electro-hydraulic surgical table
SKYTRON ELITE-3100S Electro-hydraulic surgical table

#### Warning/Caution

1. Warning
  - Ensure all fixing levers are tight. Loose condition can cause the product to come off or move, which may result in a patient injury.
2. Important caution
  - 2-1. When working with an operating table, take care not to allow this product to make contact or interfere with the tabletop or with other tools and appliances used in combination with this product. Otherwise the product could break.
  - 2-2. For hygiene, be sure to use sterilized drapes on the areas on this product where the patient comes into contact with it.

#### Storage/Life

1. Do not store the device in high temperatures or in areas with high humidity where the temperature has drastic variations.
2. Service life of this product: 7 years  
(Subject to the specified maintenance and inspection and is stored properly.)

#### Maintenance/Inspection

<By the user>

1. Check before and after use
  - Check that this product is not damaged or broken before and after each use.
2. Cleaning and disinfection
  - Wipe off blood, chemicals, contaminants, and other stains with water, and clean the device with gauze or other materials soaked in disinfectants. In addition, use the same disinfectants as the authorized disinfectants on Mizuho's operating table described in the operating table operator's manual.
3. In case of malfunction
  - When this product is broken, clearly label the device as "Broken", "Do not use", "Need repair", etc., and contact your local distributor or Mizuho.

<By agents>

Maintenance and inspection can only be carried out certified agents of Mizuho.

**Packing**

1 piece per pack

**Warranty**

MIZUHO Corporation will repair defective parts of this product without charge for one year from the date of delivery/installment except for cases of damage caused by a third party's repair, act of nature, improper use or intentional damage. All other warranty terms and conditions are subject to regulations of MIZUHO Corporation.

**Disposal**

This device must be disposed of in accordance with local regulations. Please contact your local distributor for proper disposal.

**Notice**

Any serious incident that has occurred in relation to the device should be reported to the manufacturer and the competent authority in which the user and/or patient is established.



MIZUHO Corporation  
3-30-13 Hongo, Bunkyo-ku, Tokyo 113-0033, Japan  
<https://www.mizuho.co.jp>



EMERGO EUROPE  
Westervoortsedijk 60  
6827 AT Arnhem, The Netherlands