

## Instruction for Use

### Trade Name: Back Section Board Attachment for Pediatric

#### Warning

- When using operating table accessories, always pay close attention to the patient. Patients left in the same posture for an extended period of time are at risk of developing nerve paralysis and/or bedsores.
- Avoid sudden impacts or excessive vibrations to the device. Otherwise, the device may unintentionally rebound and vibrate that may harm the patient.

#### Contraindication/Prohibition

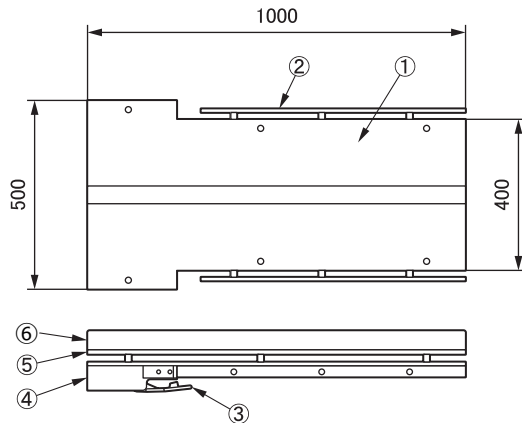
- Do not exceed weight capacity specified in **Specifications**, 3 Allowable load. Otherwise, the product could break.
- This product is only validated for use with Mizuho operating tables.

#### Symbol mark for labeling

**MD** : Medical Device

#### Specifications

- Shape Unit: mm



\*Pad thickness: 08-068-32/08-083-63/18-042-81 70 mm

Code No.	Product Description
08-068-31	Back Section Board Attachment for Pediatric *1
08-068-31-R1	Back Section Board Attachment for Pediatric (R1) *2
08-068-31-R2	Back Section Board Attachment for Pediatric (R2) *3
08-068-32	Pad for Back Section Board Attachment for Pediatric
08-068-33	Radiolucent Top for Back Section Board Attachment for Pediatric
08-083-06	Radiographic Table Tops Fixed Type for Back Section Board Attachment for Pediatric
08-083-45	Phenolic Board for Radiographic Table Tops Fixed Type for Back Section Board Attachment for Pediatric
08-083-63	Mizuho Original Pad for Back Section Board Attachment for Pediatric
18-042-81	SUSANO Pad for Back Section Board Attachment for Pediatric

\*1,\*2 and \*3: The size of mountable side rail is different.

- Weight  
Main unit: 20 kg (Phenolic Board: 5.0 kg)/Radiolucent Top: 5.0 kg/  
Pad: 1.8 kg
- Allowable load  
50 kg

#### 4. Material

- Board: Thermosetting resin
- Side rail: Stainless steel
- Lever: Carbon steel
- Frame: Aluminum alloy
- Radiolucent top: Thermosetting resin
- Pad: Polyurethane

Note: The number corresponds to those used in 1. Shape.

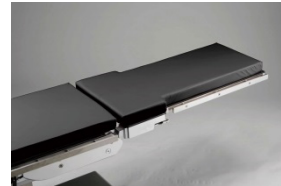
#### Intended purpose

This is an accessory for the operating table. It is used for supporting a pediatric patient.

#### Intended user

This product is to be used by health care professionals, including but not limited to surgeons, nurses and biomedical technicians.

#### Instructions for use



Pad is attached to the Back Section Board Attachment for Pediatric.

#### 1. Attachment

- 1-1. Detach the head section and the back section from the operating table.
- 1-2. Check that the pins of the back section are in a horizontal position, and insert the Back Section Board Attachment for Pediatric.
- 1-3. Pull the Back Section Board Attachment for Pediatric toward you to check whether it is fully inserted.
- 1-4. Attach the Radiolucent tops as needed.
- 1-5. Attach the dedicated pad.

#### 2. Applicable operating tables

Refer to the brochure "OPERATING TABLE ACCESSORIES" of Mizuho.

#### Warning/Caution

- Warning  
Ensure the attaching parts are fixed. Loose condition can cause the product to come off or move, which may result in a patient injury.
- Important caution
  - 2-1. When working with an operating table, take care not to allow this product to make contact or interfere with the tabletop or with other tools and appliances used in combination with this product. Otherwise the product could break.
  - 2-2. For hygiene, be sure to use sterilized drapes on the areas on this product where the patient comes into contact with it.

#### Storage/Life

- Do not store the device in high temperatures or in areas with high humidity where the temperature has drastic variations.
- Service life of this product: 7 years  
(Subject to the specified maintenance and inspection and is stored properly.)

## Maintenance/Inspection

<By the user>

### 1. Check before and after use

Check that this product is not damaged or broken before and after each use.

### 2. Cleaning and disinfection

Wipe off blood, chemicals, contaminants, and other stains with water, and clean the device with gauze or other materials soaked in disinfectants. In addition, use the same disinfectants as the authorized disinfectants on Mizuho's operating table described in the operating table operator's manual.

### 3. In case of malfunction

When this product is broken, clearly label the device as "Broken", "Do not use", "Need repair", etc., and contact your local distributor or Mizuho.

<By agents>

Maintenance and inspection can only be carried out certified agents of Mizuho.

## Packing

1 piece per pack

## Warranty

MIZUHO Corporation will repair defective parts of this product without charge for one year from the date of delivery/installment except for cases of damage caused by a third party's repair, act of nature, improper use or intentional damage. All other warranty terms and conditions are subject to regulations of MIZUHO Corporation

## Disposal

This device must be disposed of in accordance with local regulations. Please contact your local distributor for proper disposal.

## Notice

Any serious incident that has occurred in relation to the device should be reported to the manufacturer and the competent authority in which the user and/or patient is established.



MIZUHO Corporation  
3-30-13 Hongo, Bunkyo-ku, Tokyo 113-0033, Japan  
<https://www.mizuho.co.jp>



EMERGO EUROPE  
Westervoortsedijk 60  
6827 AT Arnhem, The Netherlands