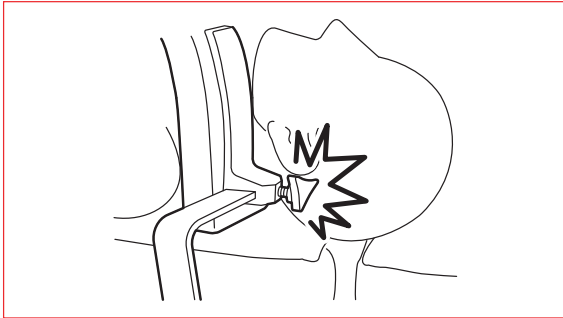


Instruction for Use

Trade Name: Shoulder Support

Warning

- When using operating table accessories, always pay close attention to the patient. Patients left in the same posture for an extended period of time are at risk for developing nerve paralysis and/or bedsores.
- When tilting an operating table laterally with a patient in the Trendelenburg position (laid flat on the back with the feet higher than the head), always pay close attention to the state of the patient. Otherwise, the patient's head could tilt and the back of the head could be pressed by the slide bar and the pad fixing handle.



Contraindication/Prohibition

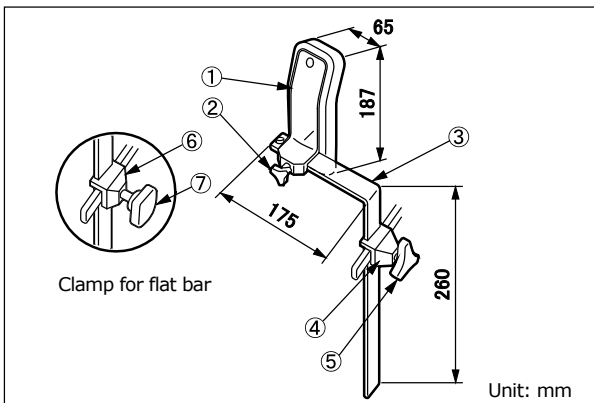
This product is only validated for use with Mizuho operating tables.

Symbol mark for labeling

MD : Medical Device

Specifications

1. Shape



The rail clamp④ and the fixing handle⑤ shown above are the Clamp for flat bar Ver. 2.

Code No.	Product Description	Components
08-068-03	Shoulder Supports with Clamps *1	①②③⑥⑦
08-068-04	Shoulder Supports	①②③
08-068-05	Shoulder Supports with Clamps Ver. 2 *2	①②③④⑤
08-111-00	Clamp for flat bar *3	⑥⑦
08-117-02	Clamp for flat bar (R1) *4	⑥⑦
08-117-12	Clamp for flat bar (R2) *5	⑥⑦
08-111-11	Clamp for flat bar Ver.2 *3	④⑤
08-117-10	Clamp for flat bar Ver.2 (R1) *4	④⑤
08-117-13	Clamp for flat bar Ver.2 (R2) *5	④⑤

Note: The number corresponds to those used in 1. Shape.

*1: Accompanied by 08-111-00.

*2: Accompanied by 08-111-11.

*3, *4 and *5: The size of mountable side rail is different.

- Operating range
Slide range: Max 105 mm
- Weight (per piece)
08-068-03, 08-068-04,
08-068-05 excluding ④, ⑤, ⑥ and ⑦ : 1.1 kg
08-111-00, 08-117-02, 08-117-12: 0.2 kg
08-111-11, 08-117-10, 08-117-13: 0.4 kg
- Material
Main unit
① Pad: Polyurethane
② Pad fixing handle: Synthetic resin
③ Slide bar: Stainless steel
Rail clamp
④ Rail clamp: Stainless steel
⑤ Fixing handle: Aluminum alloy, stainless steel
⑥ Rail clamp: Stainless steel
⑦ Fixing handle: Synthetic resin, stainless steel
Note: The number corresponds to those used in 1. Shape.

Intended purpose

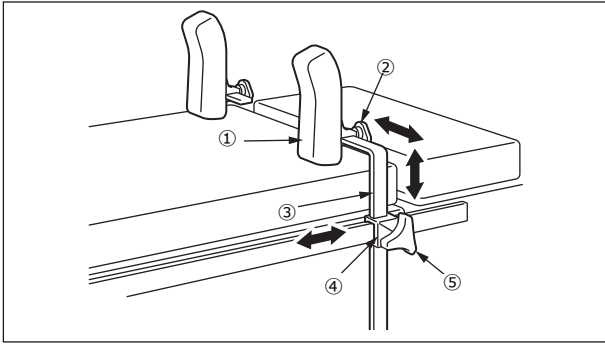
This is an accessory for the operating table.

This tool is used for supporting the shoulders of a patient to keep his/her position on the operating table when it is tilted so that the feet are higher than the head.

Intended user

This product is to be used by health care professionals, including but not limited to surgeons, nurses and biomedical technicians.

Instructions for use



The rail clamp shown above is the Clamp for flat bar Ver. 2.

- | | |
|---------------------|-----------------|
| ① Pad | ④ Rail clamp |
| ② Pad fixing handle | ⑤ Fixing handle |
| ③ Slide bar | |

1. Attach the rail clamp④ to the side rail of the operating table.
2. Insert the slide bar③ into the rail clamp④ and tighten the fixing handle⑤ to fix the slide bar③.
3. Move the slide bar③ to a position appropriate for the patient's posture.
4. After the adjustment, tighten the fixing handle⑤ to fix the rail clamp④ and the slide bar③.
5. Loosen the pad fixing handle② to adjust the position of the pad①.
6. After the adjustment, tighten the pad fixing handle② to fix the pad①.

Warning/Caution

1. Warning
Ensure all fixing handles are tight. Loose condition can cause the product to come off or move, which may result in a patient injury.
2. Important caution
 - 2-1. When working with an operating table, take care not to allow this product to make contact or interfere with the tabletop or with other tools and appliances used in combination with this product. Otherwise the product could break.
 - 2-2. For hygiene, be sure to use sterilized drapes on the areas on this product where the patient comes into contact with it.

Storage/Life

1. Do not store the device in high temperatures or in areas with high humidity where the temperature has drastic variations.
2. Service life of this product: 7 years
(Subject to the specified maintenance and inspection and is stored properly.)

Maintenance/Inspection

<By the user>

1. Check before and after use
Check that this product is not damaged or broken before and after each use.
2. Cleaning and disinfection
Wipe off blood, chemicals, contaminants, and other stains with water, and clean the device with gauze or other materials soaked in disinfectants. In addition, use the same disinfectants as the authorized disinfectants on Mizuho's operating table described in the operating table operator's manual.
3. In case of a malfunction
When this product is broken, clearly label the device as "Broken", "Do not use", "Need repair", etc., and contact your local distributor or Mizuho.

<By agents>

Maintenance and inspection can only be carried out by certified agents of Mizuho.

Packing

2 pieces per pack

Warranty

MIZUHO Corporation will repair defective parts of this product without charge for one year from the date of delivery/installment except for cases of damage caused by a third party's repair, act of nature, improper use or intentional damage. All other warranty terms and conditions are subject to regulations of MIZUHO Corporation.

Disposal

This device must be disposed of in accordance with local regulations. Please contact your local distributor for proper disposal.

Notice

Any serious incident that has occurred in relation to the device should be reported to the manufacturer and the competent authority in which the user and/or patient is established.



MIZUHO Corporation
3-30-13 Hongo, Bunkyo-ku, Tokyo 113-0033, Japan
<https://www.mizuho.co.jp>



EMERGO EUROPE
Westervoortsedijk 60
6827 AT Arnhem, The Netherlands