

Instruction for Use

Trade Name: Armboard for Prone Position

Warning

When using operating table accessories, always pay close attention to the patient. Patients left in the same posture for an extended period of time are at risk for developing nerve paralysis and/or bedsores.

Contraindication/Prohibition

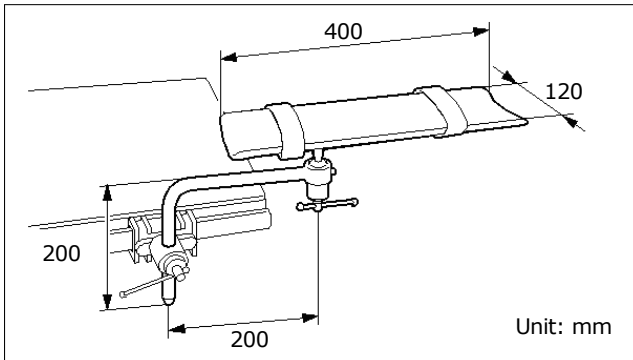
1. This product is only validated for use with Mizuho operating tables.
2. Ensure all fixing handles are tight. Loose condition can cause the product to come off or move, which may result in a patient injury.

Symbol mark for labeling

:Medical Device

Specifications

1. Shape



Code No.	Product Description	Weight (kg)
08-066-05	Armboard for prone position with clamp *1	2.5
08-066-05-NC	Armboard for prone position (NC) *2	1.6

Code No.	Product Description	Weight (kg)
08-110-01	Clamp for Round Bar *3	0.9
08-117-09	Clamp for Round Bar (R1) *4	0.9
08-117-11	Clamp for Round Bar (R2) *5	0.9

*3 is included in *1. Select *4 or *5 to use *2.

*3, *4, and *5: The size of mountable side rail is different.

2. Material

(1) Main body

Armboard: Urethane foam
Support pole: Stainless steel rod

(2) Rail clamp: Stainless cast steel

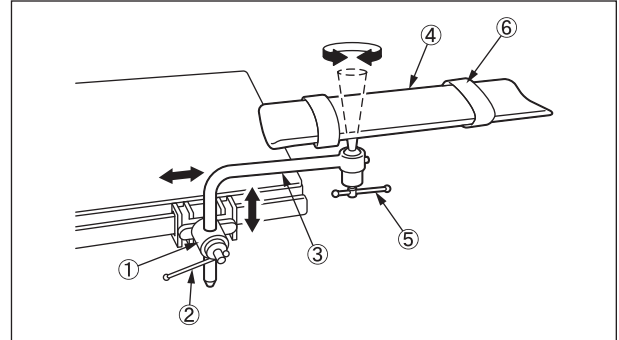
Intended purpose

This is an accessory to an operating table and is used to support the upper arm of a patient.

Intended user

This product is to be used by health care professionals, including but not limited to surgeons, nurses and biomedical technicians.

Instructions for use



- ① Rail clamp
- ② Fixing handle
- ③ Support pole
- ④ Armboard
- ⑤ Armboard fixing handle
- ⑥ Arm strap

1. Attach the Rail clamp① to the side rail of an operating table.
2. Insert the Support pole③ into the Rail clamp① and tighten the Fixing handle② to temporarily secure the Support pole③.
3. Move the Support pole③ to a position appropriate for the patient's posture.
4. After the adjustment, rotate the Fixing handle② to secure the Rail clamp① and the Support pole③.
5. Loosen the Armboard fixing handle⑤ and adjust the angle of the Armboard④.
6. After the adjustment, tighten the Armboard fixing handle⑤ to secure the Armboard④.
7. Secure the patient's arm with the Arm strap⑥.

Warning/Caution

1. When working with an operating table, take care not to allow this product to make contact or interfere with the table top or with other tools and appliances used in combination with this product. Otherwise the product could break.
2. For hygiene, be sure to use sterilized drapes on the areas on this product where the patient comes into contact with it.

Storage/Life

1. Do not store the device in high temperatures or in areas with high humidity where the temperature has drastic variations.
2. Service life of this product: 7 years
(Subject to the specified maintenance and inspection and is stored properly.)

Maintenance/Inspection

<By the user>

1. Inspection before and after use
Check that this product is not damaged or broken before and after each use.
2. Cleaning and disinfection
Wipe off blood, chemicals, contaminants, and other stains with water, and clean the device with gauze or other material moistened with alcohol to disinfect.
3. In case of a malfunction
When this product is broken, clearly label the device as "Broken", "Do not use", "Need repair", etc., and contact your local dealer or Mizuho.

<By agents>

Maintenance and inspection can only be carried out by certified agents of Mizuho.

Packing

1 piece per pack

Warranty

MIZUHO Corporation will repair defective parts of this product without charge for one year from the date of delivery/installment except for cases of damage caused by a third party's repair, act of nature, improper use or intentional damage. All other warranty terms and conditions are subject to regulations of MIZUHO Corporation.

Disposal

This device must be disposed of in accordance with local regulations. Please contact your local distributor for proper disposal.

Notice

Any serious incident that has occurred in relation to the device should be reported to the manufacturer and the competent authority in which the user and/or patient is established.



MIZUHO Corporation
3-30-13 Hongo, Bunkyo-ku, Tokyo 113-0033, Japan
<https://www.mizuho.co.jp>



EMERGO EUROPE
Westervoortsedijk 60, 6827 AT Arnhem
The Netherlands