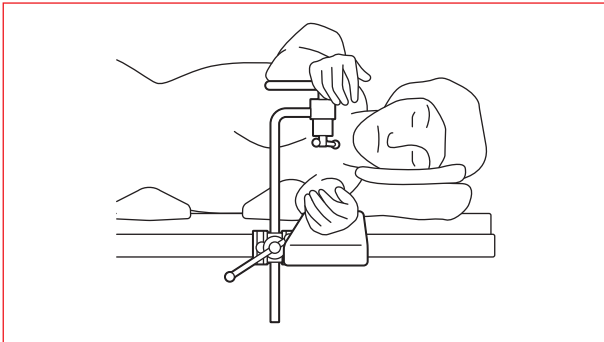


## Instruction for Use

Trade Name: Raised Armboard

### Warning

1. When using operating table accessories, always pay close attention to the patient. Patients left in the same posture for an extended period of time are at risk for developing nerve paralysis.
2. When using this product for a patient in the lateral recumbent position, secure the arm on the lower side onto the Armboard. Failure to secure the arm to the Armboard may lead to a patient injury.



Code No.	Product Description	A (mm)	Weights (kg)
08-066-06	Raised Armboard with Clamp (730 mm)	730	3.3
08-066-10	Raised Armboard with Clamp	500	3.0
08-066-10-UE	Raised Armboard (UE)	450	2.0
08-110-01	Clamp for Round Bar	—	0.9
08-117-09	Clamp for Round Bar (R1)	—	0.9
08-117-11	Clamp for Round Bar (R2)	—	0.9
08-110-20	Universal Clamp for Round Bar	—	1.0

### 2. Material

#### (1) Main Body

Armboard : Steel plate, Urethane foam  
Support pole : Stainless steel rod  
Arm strap : Nylon resin

#### (2) Rail clamp, Fixing handle: Stainless steel

### 3. Allowable load

Unit: 16kg

Maximum patient weight: 225kg

### Intended purpose

This is an accessory to an operating table.

This is a tool for supporting the arm on the upper side of a patient lying in the lateral recumbent position for a thoracotomy or similar procedure.

### Intended user

This product is to be used by health care professionals, including but not limited to surgeons, nurses and biomedical technicians.

### Contraindication/Prohibition

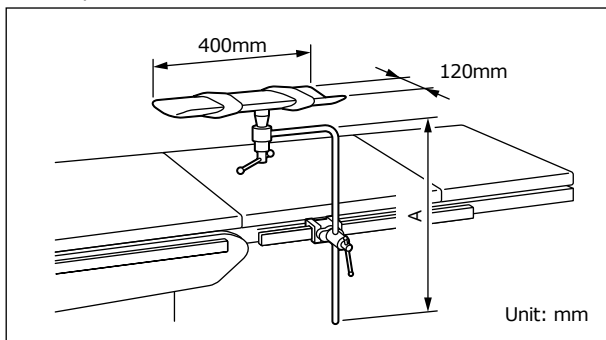
1. This product is only validated for use with Mizuho operating tables.
2. Ensure all fixing handles are tight. Loose condition can cause the product to come off or move, which may result in a patient injury.
3. Do not exceed the allowable load specified in Specifications, 3. Allowable load. Otherwise the product could break.

### Symbol mark for labeling

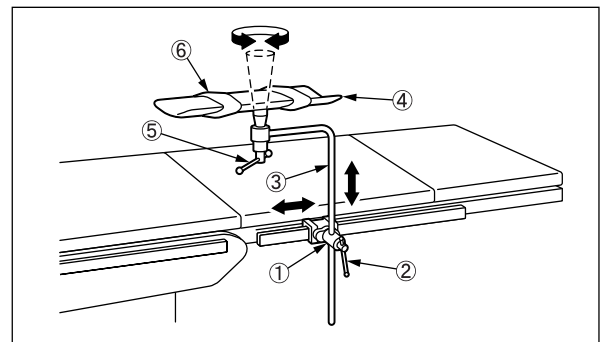
**MD**: Medical Device

### Specifications

#### 1. Shape



### Instructions for use



- ① Rail clamp
- ② Fixing handle
- ③ Support pole
- ④ Armboard
- ⑤ Armboard fixing handle
- ⑥ Arm strap

1. Attach the Rail clamp ① to the side rail of the operating table.
2. Insert the Support pole ③ into the Rail clamp ① and tighten the Fixing handle ② to temporarily secure the Support pole ③.
3. Move the Support pole ③ to a position appropriate for the patient's posture.
4. After the adjustment, rotate the Fixing handle ② to secure the Rail clamp ① and the Support pole ③.
5. Loosen the Armboard fixing handle ⑤ and adjust the angle of the Armboard ④.

6. After the adjustment, tighten the Armboard fixing handle<sup>⑤</sup> to secure the Armboard<sup>④</sup>.
7. Secure the patient's arm with the Arm strap<sup>⑥</sup>.

### **Warning/Caution**

#### Important caution

1. When working with an operating table, take care not to allow this product to make contact or interfere with the table top or with other tools and appliances used in combination with this product. Otherwise the product could break.
2. For hygiene, be sure to use sterilized drapes on the areas on this product where the patient comes into contact with it.

### **Storage/Life**

1. Do not store the device in high temperatures or in areas with high humidity where the temperature has drastic variations.
2. Service life of this product: 7 years  
(Subject to the specified maintenance and inspection and is stored properly.)

### **Maintenance/Inspection**

<By the user>

1. Inspection before and after use  
Check that this product is not damaged or broken before and after each use.
2. Cleaning and disinfection  
Wipe off blood, chemicals, contaminants, and other stains with water, and clean the device with gauze or other material moistened with alcohol to disinfect.
3. In case of a malfunction  
When this product is broken, clearly label the device as "Broken", "Do not use", "Need repair", etc., and contact your local dealer or Mizuho.

<By agents>

Maintenance and inspection can only be carried out by certified agents of Mizuho.

### **Packing**

1 piece per pack

### **Warranty**

MIZUHO Corporation will repair defective parts of this product without charge for one year from the date of delivery/installment except for cases of damage caused by a third party's repair, act of nature, improper use or intentional damage. All other warranty terms and conditions are subject to regulations of MIZUHO Corporation.

### **Disposal**

This device must be disposed of in accordance with local regulations. Please contact your local distributor for proper disposal.

### **Notice**

Any serious incident that has occurred in relation to the device should be reported to the manufacturer and the competent authority in which the user and/or patient is established.



MIZUHO Corporation  
3-30-13 Hongo, Bunkyo-ku, Tokyo 113-0033, Japan  
<https://www.mizuho.co.jp>



EMERGO EUROPE  
Westervoortsedijk 60, 6827 AT Arnhem  
The Netherlands