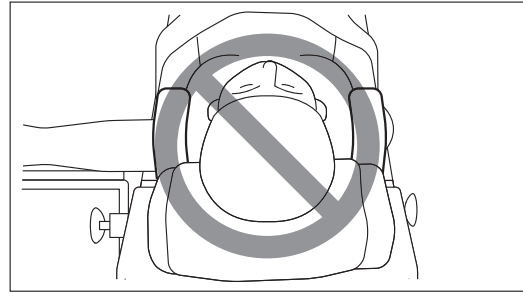
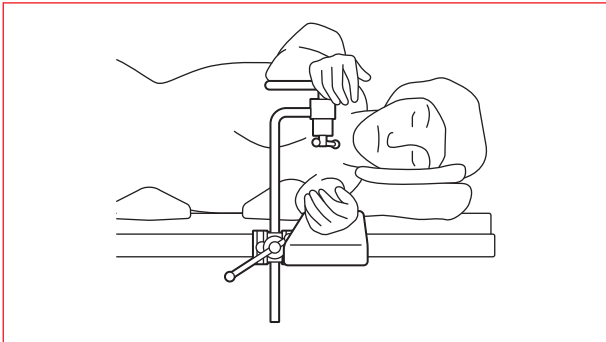


Instruction for Use

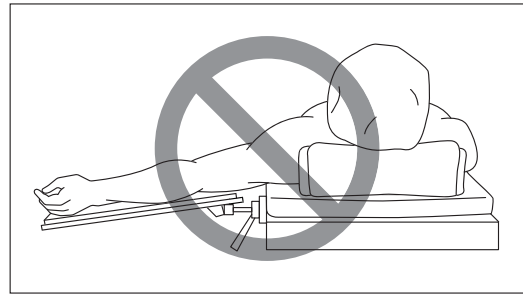
Trade Name: Locking type armboard

Warning

1. When using operating table accessories, always pay close attention to the patient. Patients left in the same posture for an extended period of time are at risk for developing bedsores.
2. When using this product for a patient in the lateral recumbent position, secure the arm on the lower side onto the Armboard. Failure to secure the arm to the Armboard may lead to a patient injury.



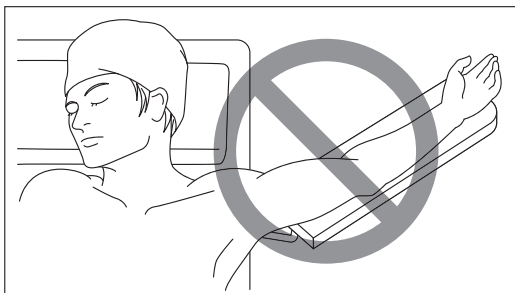
Do not use this product together with the shoulder support for a patient in the Trendelenburg position (laid flat on the back with the feet higher than the head). (Refer to the Interactions section.)



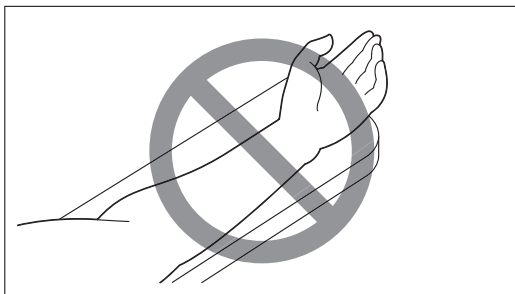
Do not use this product if its upper surface is lower than the surface of the operating table.

Contraindication/Prohibition

1. This product is only validated for use with Mizuho operating tables.
2. Avoid putting a patient's arm in any of the positions shown below, in order to prevent nerve paralysis in the arm.

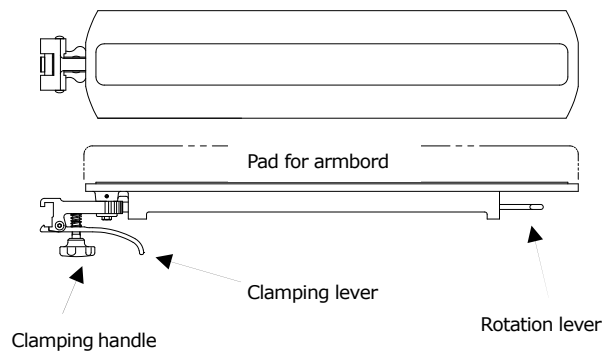


Do not allow the arm to be positioned at an angle of more than 90 degrees with respect to the longitudinal direction of the operating table.



Do not turn up the inside of the arm (except for patients in the lateral recumbent position).

Shape/Structure



Code No.	Product Description
08-065-85	Locking type armboard (C2)

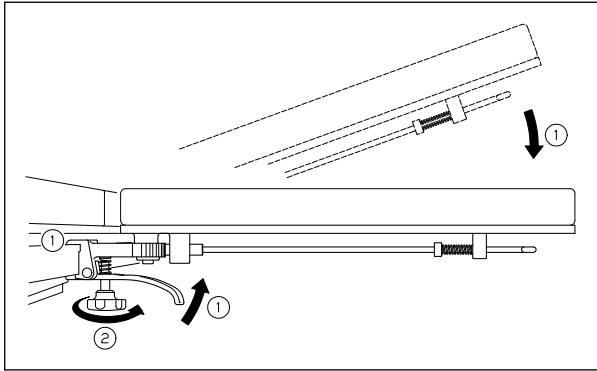
Material : Stainless steel, Aluminum alloy, Synthetic resin

Intended purpose

This is an accessory to an operating table and is used to support the arm of a patient.

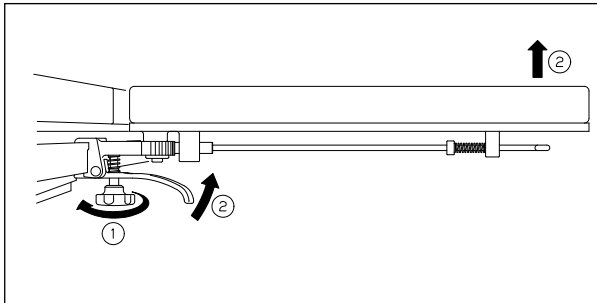
Instructions for use

1) Attached and fixed



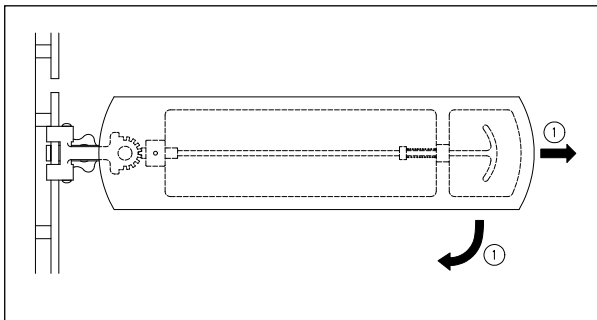
- ① While engaging the clamping lever, elevate the distal end and place the clamp onto the side rail. Lower the armboard to level and release the clamping lever.
- ② Tighten the clamping handle to secure the armboard.
*Make sure that the armboard is fixed well and it does not sideslip.

2) Removed



- ① Loosen the Clamping handle until it stops.
- ② While pulling the clamping lever toward you, lift the distal end of the armboard .
Remove the armboard from the side rail.

3) Movement



- ① Pull the rotation lever to rotate the armboard up to 90 degrees.

Caution

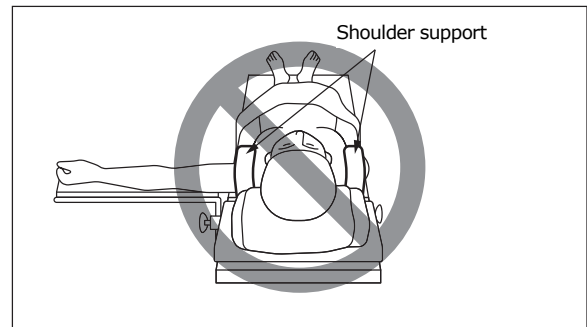
1) Important caution

- When working with an operating table, take care not to allow this product to make contact or interfere with the table top or with other tools and appliances used in combination with this product.

2) Interaction

(Cautions on use of other tools in combination with this product)

Product	Clinical episode
Shoulder support	nerve paralysis in the upper arm



When shoulder supports are used, do not secure the arm in an abducted position on a standard armboard. Doing so may result in nerve paralysis in the upper arm.

Storage/Life

1. Do not store the device in high temperatures or in areas with high humidity where the temperature has drastic variations.
2. Service life of this product: Seven (7) years (subject to the specified maintenance and inspection and is stored properly)

Handling instructions

1. Use this product for its intended purpose only.
Incorrect use could cause damage to this product and the operating table.
2. Cleaning and disinfection
To disinfect, wipe off blood, chemicals, contaminants, and other stains with water, and clean the armboard with gauze or other material moistened with alcohol.

Maintenance/Inspection

1. Check that this product is not damaged or broken before and after use.
2. If you need to have this product repaired, consult your local dealer or Mizuho.

Packing

1 piece per pack

Matters related to warranty period

MIZUHO Corporation will repair defective parts of this product without charge for one year from the date of delivery/installment except for cases of damage caused by a third party's repair, act of nature, improper use or damage on purpose. All other warranty terms and conditions are subject to regulations of MIZUHO Corporation.

* Name and address of manufacturer



MIZUHO Corporation
3-30-13 Hongo, Bunkyo-ku, Tokyo 113-0033, Japan
<http://www.mizuho.co.jp>

* Authorized Representative in Europe



Emergo Europe B.V.
Prinsessegracht 20, 2514 AP, The Hague
The Netherlands