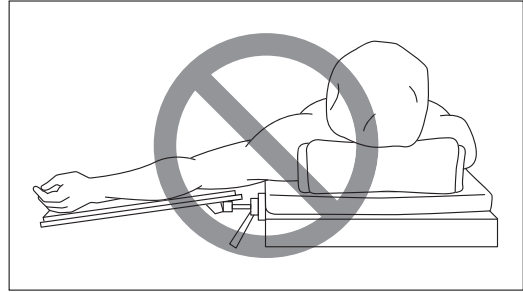
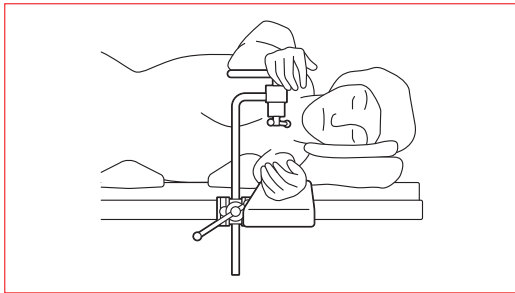


# Instruction for Use

Trade Name: Angle Adjustable Arm Board

### Warning

- When using operating table accessories, always pay close attention to the patient. Patients left in the same posture for an extended period of time are at risk for developing nerve paralysis and/or bedsores.
- When using this product for a patient in the lateral recumbent position, secure the arm on the lower side onto the arm board.  
Failure to secure the arm to the arm board may lead to a patient injury.



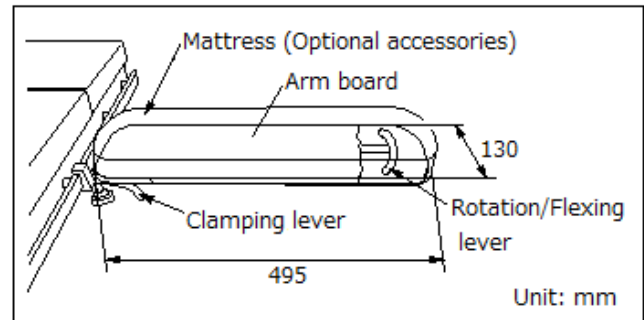
Do not use this product if its upper surface is lower than the surface of the operating table.

### Symbol mark for labeling

**MD** : Medical Device

### Specifications

Shape



Weight: 2.5 kg

Code No.	Product Description
08-065-25	Angle Adjustable Arm Board with Built-in Clamp without Pad

Material: Arm board: Aluminium alloy casting  
Clamping lever: Stainless steel rod  
Rotation/Flexing lever: Stainless cast steel

### Intended purpose

This is an accessory to an operating table and is used for supporting the arm of a patient.

### Intended user

This product is to be used by health care professionals, including but not limited to surgeons, nurses and biomedical technicians.

### Instructions for use

Use the optional mattress listed below.

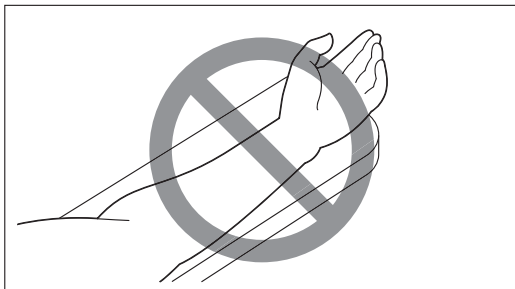
Code No.	Product Description
08-065-08	40 mm Pad for Armboard
08-065-09	80 mm Pad for Armboard
08-065-40	60 mm Pad for Armboard
08-065-45	100 mm Pad for Armboard

### Contraindication/Prohibition

- This product is only validated for use with Mizuho operating tables.
- Avoid putting a patient's arm in any of the positions shown below, in order to prevent nerve paralysis in the arm.

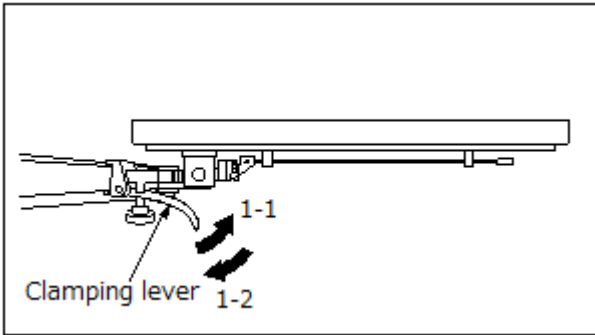


Do not allow the arm to be positioned at an angle of more than 90 degrees with respect to the longitudinal direction of the operating table.



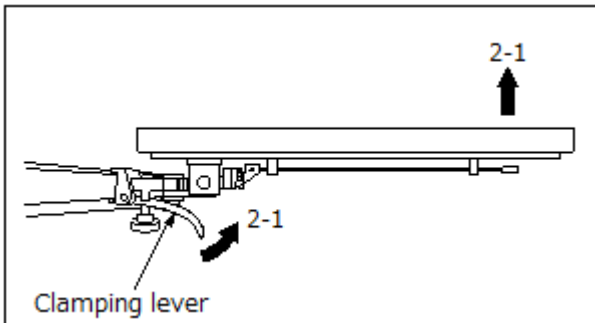
Do not turn up the inside of the arm (except for patients in the lateral recumbent position).

## 1. Attachment



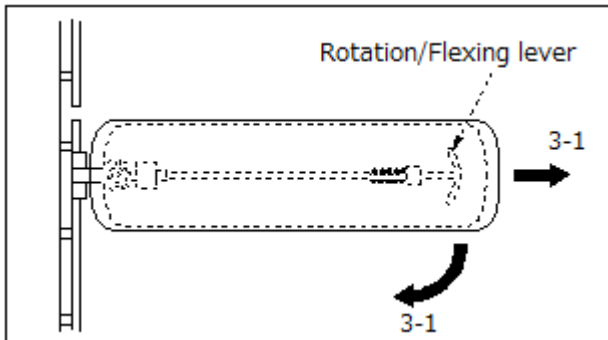
- 1-1 While pulling the clamping lever toward you, attach the arm board to a side rail of an operating table.
- 1-2 Release the clamping lever.

## 2. Removal



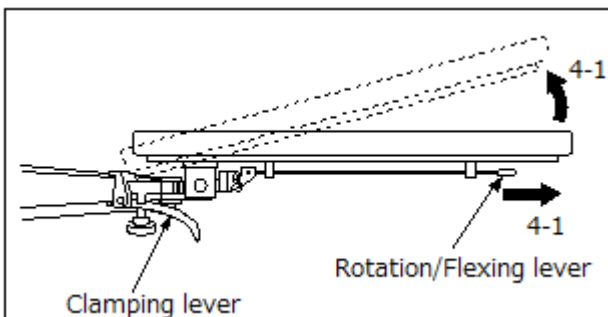
- 2-1 While pulling the clamping lever toward you, lift up the edge of the arm board.
- 2-2 Remove the arm board from the side rail.

## 3. Rotation



- 3-1 After pulling the rotation/flexing lever, the arm board can be rotated up to 90 degrees.

## 4. Flexing



- 4-1 After pulling the rotation/flexing lever, the arm board can be flexed up to 15 degrees.

## Warning/Caution

### 1. Warning

Make sure that the clamping lever is fixed to the side rail. If the spring of the clamping lever is damaged, the clamping lever may come off or move, which may result in a patient injury.

## 2. Important caution

- 2-1 When working with an operating table, take care not to allow this product to make contact or interfere with the table top or with other tools and appliances used in combination with this product. Otherwise the product could break.
- 2-2 After adjusting the rotation/flexing angle, be sure to check that the catch at the end of the rotation/flexing lever fully engages with the gear below the board.
- 2-3 When using the operating table at Trendelenburg/Reverse Trendelenburg position, the arm board may slip. Make sure to fix the arm board to the side rail and pay close attention to the patient during the surgery.
- 2-4 Do not exceed the allowable load of 15 kg.
- 2-5 For hygiene, be sure to use sterile drapes on the areas on this product where the patient comes into contact with it.

## Storage/Life

- 1. Do not store the device in high temperatures or in areas with high humidity where the temperature has drastic variations.
- 2. Service life of this product: 7 years  
(Subject to the specified maintenance and inspection and is stored properly.)

## Maintenance/Inspection

<By users>

### 1. Check before and after use

Check that this product is not damaged or broken before and after each use.

### 2. Cleaning and disinfection

Wipe off blood, chemicals, contaminants, and other stains with water, and clean the device with gauze or other material moistened with alcohol to disinfect.

### 3. In case of a malfunction

When this product is broken, clearly label the device as "Broken", "Do not use", "Need repair", etc., and contact your local dealer or Mizuho.

<By agents>

Maintenance and inspection can only be carried out by certified agents of Mizuho.

## Packing

1 piece per pack

## Warranty

MIZUHO Corporation will repair defective parts of this product without charge for one year from the date of delivery/installment except for cases of damage caused by a third party's repair, act of nature, improper use or intentional damage. All other warranty terms and conditions are subject to regulations of MIZUHO Corporation.

## Disposal

This device must be disposed of in accordance with local regulations. Please contact your local distributor for proper disposal.

## Notice

Any serious incident that has occurred in relation to the device should be reported to the manufacturer and the competent authority in which the user and/or patient is established.



MIZUHO Corporation  
3-30-13 Hongo, Bunkyo-ku, Tokyo 113-0033, Japan  
<https://www.mizuho.co.jp>



EMERGO EUROPE  
Westervoortsedijk 60, 6827 AT Arnhem  
The Netherlands