

## Instruction for Use

Trade Name: Non-adjustable Lateral Arm Support with Side Rail Clamp and Joint B

### Warning

1. When using operating table accessories, always pay close attention to the patient. Patients left in the same posture for an extended period of time are at risk for developing nerve paralysis and/or bedsores.
2. When using this product for a patient in the lateral recumbent position, fix the arm on the lower side onto the Armboard. Failure to fix the arm to the Armboard may lead to a patient injury.

### Contraindication/Prohibition

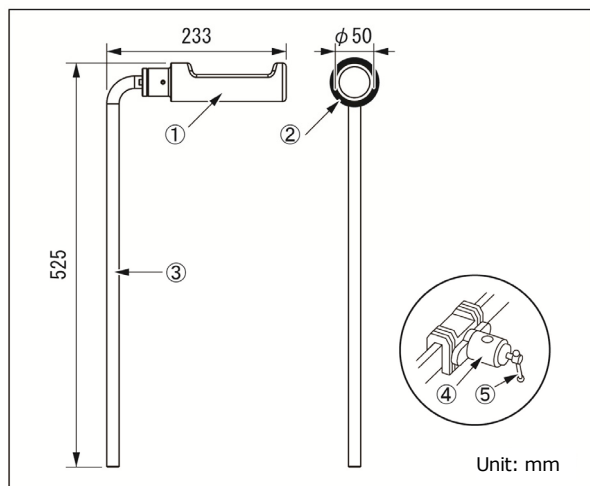
This product is only validated for use with Mizuho operating tables.

### Symbol mark for labeling

**MD** : Medical Device

### Specifications

#### 1. Shape



Code No.	Product Description	Components
08-064-22	Upper Arm Support II with Clamp	①②③④⑤
08-064-22-NC	Upper Arm Support II (NC)	①②③
08-110-20	Universal Clamp for Round Bar	④⑤

Note: The number corresponds to those used in 1. Shape.

#### 2. Weight

Main unit: 1.2 kg  
Rail clamp: 1.0 kg

#### 3. Patient's weight: 135 kg or less

#### 4. Material

Main unit

- ① Support base: Nylon
- ② Pad: Nylon
- ③ Support pole: Stainless steel

Rail clamp

- ④ Rail clamp: Stainless steel
- ⑤ Fixing handle: Stainless steel

Note: The number corresponds to those used in 1. Shape.

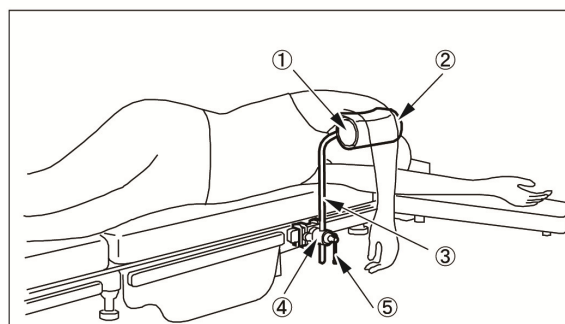
### Intended purpose

This is an accessory for the operating table. This product is a tool for supporting the patient's upper arm, primarily in the lateral recumbent position.

### Intended user

This product is to be used by health care professionals, including but not limited to surgeons, nurses and biomedical technicians.

### Instructions for use



#### 1. Attachment

- 1-1. Attach the rail clamp④ to the side rail of the operating table.
- 1-2. Insert the support pole③ in the rail clamp④, and then tighten the fixing handle⑤.
- 1-3. Place the patient's upper limb on the pad② on the support base①, and move the support pole③ to adjust the position.
- 1-4. After the adjustment, tighten the fixing handle⑤ to fix the support pole③ and the rail clamp④.

#### 2. Applicable operating tables

Refer to the brochure "OPERATING TABLE ACCESSORIES" of Mizuho.

### Warning/Caution

#### 1. Warning

Ensure all fixing handles are tight. Loose condition can cause the product to come off or move, which may result in a patient injury.

#### 2. Important caution

- 2-1. When working with an operating table, take care not to allow this product to make contact or interfere with the tabletop or with other tools and appliances used in combination with this product. Otherwise the product could break.
- 2-2. For hygiene, be sure to use sterilized drapes on the areas on this product where the patient comes into contact with it.

### Storage/Life

1. Do not store the device in high temperatures or in areas with high humidity where the temperature has drastic variations.
2. Service life of this product: 7 years  
(Subject to the specified maintenance and inspection and is stored properly.)

## Maintenance/Inspection

<By the user>

1. Check before and after use  
Check that this product is not damaged or broken before and after each use.
2. Cleaning and disinfection  
Wipe off blood, chemicals, contaminants, and other stains with water, and clean the device with gauze or other materials soaked in disinfectants. In addition, use the same disinfectants as the authorized disinfectants on Mizuho's operating table described in the operating table operator's manual.
3. In case of a malfunction  
When this product is broken, clearly label the device as "Broken", "Do not use", "Need repair", etc., and contact your local distributor or Mizuho.

<By agents>

Maintenance and inspection can only be carried out by certified agents of Mizuho.

## Packing

1 piece per pack

## Warranty

MIZUHO Corporation will repair defective parts of this product without charge for one year from the date of delivery/installment except for cases of damage caused by a third party's repair, act of nature, improper use or intentional damage. All other warranty terms and conditions are subject to regulations of MIZUHO Corporation.

## Disposal

This device must be disposed of in accordance with local regulations. Please contact your local distributor for proper disposal.

## Notice

Any serious incident that has occurred in relation to the device should be reported to the manufacturer and the competent authority in which the user and/or patient is established.



MIZUHO Corporation  
3-30-13 Hongo, Bunkyo-ku, Tokyo 113-0033, Japan  
<https://www.mizuho.co.jp>



EMERGO EUROPE  
Westervoortsedijk 60  
6827 AT Arnhem, The Netherlands