

MES-CK08-061-40EN-0

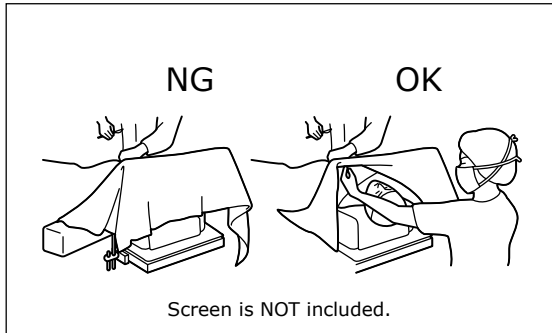
PREPARED: (2023-07-20) (Version 4)

## Instruction for Use

Trade Name: Anesthesia Screen Extension

### Contraindication/Prohibition

1. This product is only validated for use with Mizuho operating tables.
2. Do not cover the patient's face with a screen. Remove the screen immediately, when it covers the patient's face.



### 2. Weight

Main unit: 2.0 kg  
Rail clamp: 0.9 kg

### 3. Material

Main unit: Stainless steel  
Rail clamp: Stainless steel

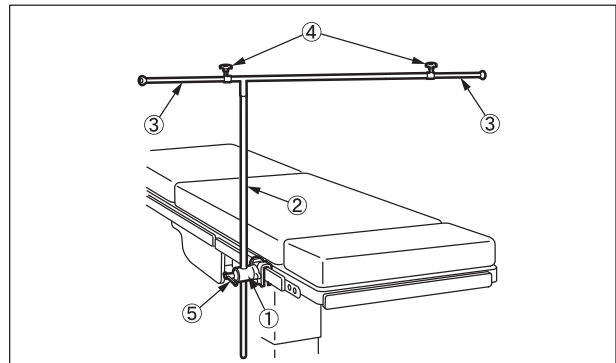
### Intended purpose

This is an accessory for the operating table. This accessory is a T-shaped, telescopic anesthesia screen frame. This frame is to be attached to an angle-adjustable clamp mounted on one of the side rails of the operating table.

### Intended user

This product is to be used by health care professionals, including but not limited to surgeons, nurses and biomedical technicians.

### Instructions for use



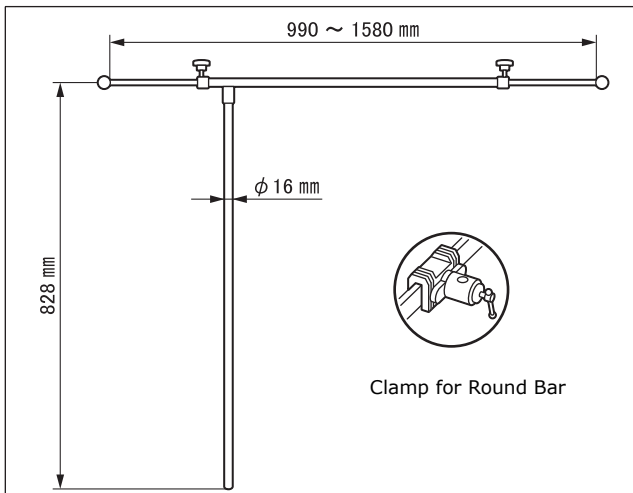
1. Attach the rail clamp① to the side rail of the operating table.
2. Insert the support pole② into the rail clamp① and tighten the fixing handle⑤ to temporarily fix the support pole.
3. Move the support pole② to a position appropriate for the patient's posture.
4. After the adjustment, tighten the fixing handle⑤ to fix the rail clamp① and the Support pole②.
5. Adjust the length of the telescopic crossbar③ with the fixing handle④ as needed.
6. Slide back the telescopic crossbar at one side and tighten the fixing handle④ at each side.

### Symbol mark for labeling

**MD** : Medical Device

### Specifications

#### 1. Shape



Code No.	Product Description
08-061-40	Anesthesia Screen Extension with Clamp *1
08-061-40-R1	Anesthesia Screen Extension with Clamp (R1) *2
08-061-40-R2	Anesthesia Screen Extension with Clamp (R2) *3
08-110-01	Clamp for Round Bar *4
08-117-09	Clamp for Round Bar (R1) *5
08-117-11	Clamp for Round Bar (R2) *6

\*1 comes with \*4, \*2 comes with \*5, \*3 comes with \*6.

\*4, \*5, and \*6: The size of mountable side rail is different.

### Warning/ Caution

#### 1. Warning

Ensure all fixing handles are tight. Loose condition can cause the product to come off or move, which may result in a patient injury.

#### 2. Important caution

2-1. When working with an operating table, take care not to allow this product to make contact or interfere with the tabletop or with other tools and appliances used in combination with this product. Otherwise the product could break.

2-2. Care must be taken when moving with the crossbar extended.

2-3. For hygiene, be sure to use sterilized drapes on the areas on this product where the patient comes into contact with it.

### Storage/Life

1. Do not store the device in high temperatures or in areas with high humidity where the temperature has drastic variations.
2. Service life of this product: 7 years  
(Subject to the specified maintenance and inspection and is stored properly.)

### **Maintenance/Inspection**

<By the user>

1. Check before and after use  
Check that this product is not damaged or broken before and after each use.
2. Cleaning and disinfection  
Wipe off blood, chemicals, contaminants, and other stains with water, and clean the device with gauze or other materials soaked in disinfectants. In addition, use the same disinfectants as the authorized disinfectants on Mizuho's operating table described in the operating table operator's manual.
3. In case of a malfunction  
When this product is broken, clearly label the device as "Broken", "Do not use", "Need repair", etc., and contact your local distributor or Mizuho.

<By agents>

Maintenance and inspection can only be carried out certified agents of Mizuho.

### **Packing**

1 piece per pack

### **Warranty**

MIZUHO Corporation will repair defective parts of this product without charge for one year from the date of delivery/installment except for cases of damage caused by a third party's repair, act of nature, improper use or intentional damage. All other warranty terms and conditions are subject to regulations of MIZUHO Corporation.

### **Disposal**

This device must be disposed of in accordance with local regulations. Please contact your local distributor for proper disposal.

### **Notice**

Any serious incident that has occurred in relation to the device should be reported to the manufacturer and the competent authority in which the user and/or patient is established.



MIZUHO Corporation  
3-30-13 Hongo, Bunkyo-ku, Tokyo 113-0033, Japan  
<https://www.mizuho.co.jp>



EMERGO EUROPE  
Westervoortsedijk 60  
6827 AT Arnhem, The Netherlands