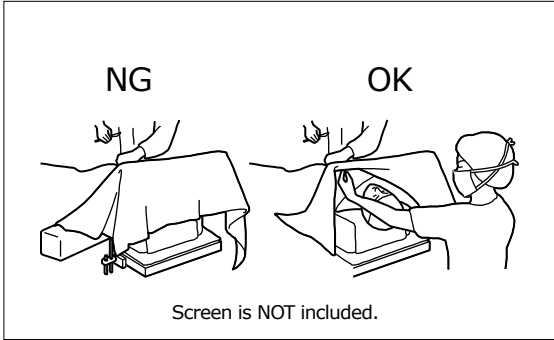


Instruction for Use

Trade Name: Anesthesia Screen Wing Type

Contraindication/Prohibition

1. This product is only validated for use with Mizuho operating tables.
2. Do not cover the patient's face with a screen. Remove the screen immediately, when it covers the patient's face.

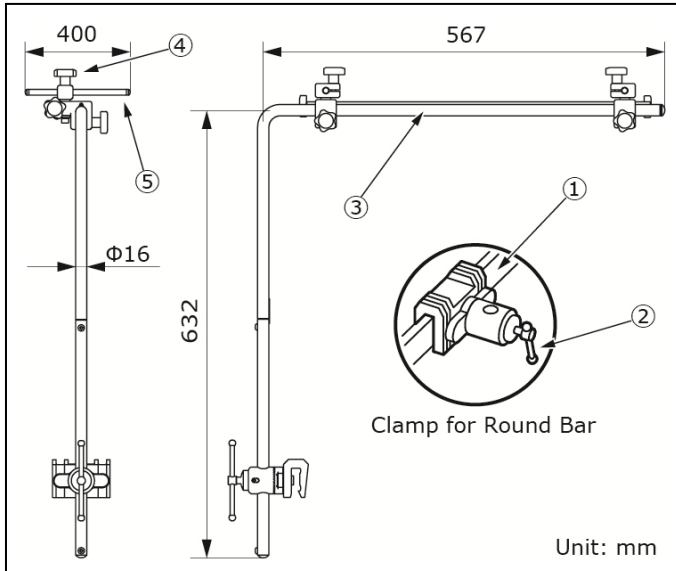


Symbol mark for labeling

MD : Medical Device

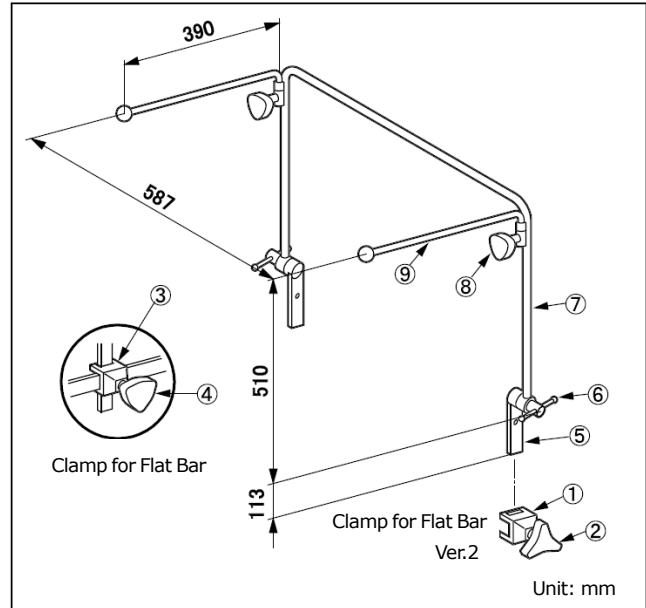
Specifications

1. Shape
Standard Type



Code No.	Product Description
08-061-20	Anesthesia Screen Wing Type with Clamp
08-110-01	Clamp for Round Bar

UE Type



Code No.	Product Description
08-061-20-UE	Anesthesia Screen Wing Type (UE)*1
08-117-02	Clamp for Flat Bar (R1)*2
08-117-10	Clamp for Flat Bar Ver.2 (R1)*3
08-117-12	Clamp for Flat Bar (R2)*4
08-117-13	Clamp for Flat Bar Ver.2 (R2)*5

*1: Select *2, *3, *4 or *5 to use *1.

*2 and *4: The size of mountable side rail is different.

*3 and *5: The size of mountable side rail is different.

2. Weight (per piece)

Main unit: 2.0 kg (08-061-20), 2.8 kg (08-061-20-UE)

Clamp for Round Bar: 0.9 kg

Clamp for Flat Bar (R1/R2): 0.2 kg

Clamp for Flat Bar Ver.2 (R1/R2): 0.4 kg

3. Material

3-1. Standard type

Rail clamp

① Clamp for Round Bar: Stainless steel

② Fixing handle: Stainless steel

Main unit

③ Screen frame: Stainless steel

④ Fixing handle: Synthetic resin

⑤ Wing: Stainless steel

3-2. UE type

Rail clamp

① Clamp for Flat Bar Ver.2: Stainless steel

② Fixing handle: Stainless steel

③ Clamp for Flat Bar: Stainless steel

④ Fixing handle: Synthetic resin, stainless steel

Main unit

⑤ Insertion plate: Stainless steel

⑥ Fixing handle: Stainless steel

⑦ Screen frame: Stainless steel

⑧ Fixing handle: Synthetic resin

⑨ Wing: Stainless steel

Note: The number corresponds to those used in 1. Shape.

Intended purpose

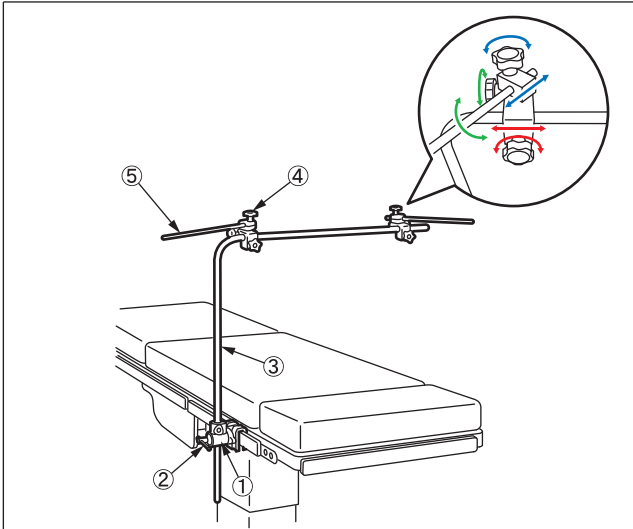
This is an accessory for the operating table. This is the anesthetic screen frame with adjustable wings. This frame is to be attached to an angle-adjustable clamp mounted on one of the side rails of the operating table.

Intended user

This product is to be used by health care professionals, including but not limited to surgeons, nurses and biomedical technicians.

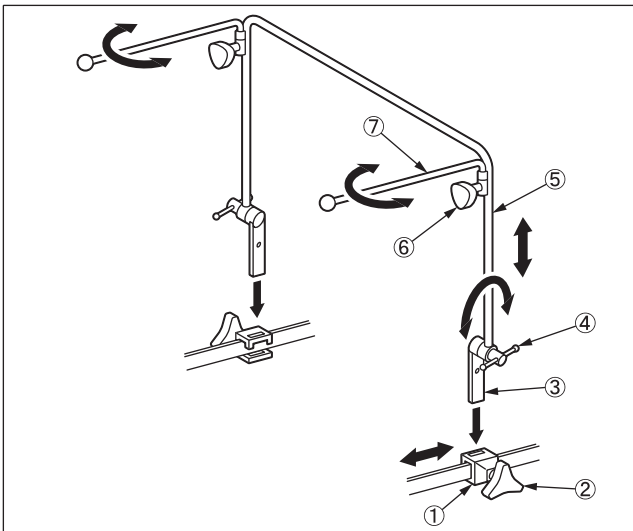
Instructions for use

1. Standard Type



- 1-1. Attach the Rail clamp① to the side rail of the operating table.
- 1-2. Insert the Screen frame③ into the Rail clamp① and tighten the Fixing handle② to temporarily fix the Screen frame③.
- 1-3. Move the Screen frame③ to a position appropriate for the patient's posture.
- 1-4. After the adjustment, tighten the Fixing handle② to fix the Rail clamp ① and the Screen frame③.
- 1-5. Adjust the position of the Wing⑤ with the Fixing handle④ as needed.

2. UE Type



- 2-1. Attach the Rail clamp① to the side rail of the operating table.
- 2-2. Insert the Insertion plate③ on the end of the Screen frame⑤ into the Rail clamp①, and tighten the Fixing handle② to temporarily fix the Screen frame⑤.
- 2-3. Move the Screen frame⑤ to a position appropriate for the patient's posture.
- 2-4. After the adjustment, tighten the Fixing handle④ to fix Rail clamp and the Screen frame⑤.
- 2-5. Adjust the position of the Wing⑦ with the Fixing handle⑥ as needed.

Warning/Caution

Important caution

1. Ensure all fixing handles are tight. Loose condition can cause the product to come off or move, which may result in a patient injury.
2. When working with an operating table, take care not to allow this product to make contact or interfere with the tabletop or with other tools and appliances used in combination with this product. Otherwise the product could break.
3. For hygiene, be sure to use sterilized drapes on the areas on this product where the patient comes into contact with it.

Storage/Life

1. Do not store the device in high temperatures or in areas with high humidity where the temperature has drastic variations.
2. Service life of this product: 7 years
(Subject to the specified maintenance and inspection and is stored properly.)

Maintenance/Inspection

<By the user>

1. Check before and after use
Check that this product is not damaged or broken before and after each use.
2. Cleaning and disinfection
Wipe off blood, chemicals, contaminants, and other stains with water, and clean the device with gauze or other materials soaked in disinfectants. In addition, use the same disinfectants as the authorized disinfectants on Mizuho's operating table described in the operating table operator's manual.
3. In case of malfunction
When this product is broken, clearly label the device as "Broken", "Do not use", "Need repair", etc., and contact your local distributor or Mizuho.

<By agents>

Maintenance and inspection can only be carried out certified agents of Mizuho.

Packing

1 piece per pack

Warranty

MIZUHO Corporation will repair defective parts of this product without charge for one year from the date of delivery/installment except for cases of damage caused by a third party's repair, act of nature, improper use or intentional damage. All other warranty terms and conditions are subject to regulations of MIZUHO Corporation.

Disposal

This device must be disposed of in accordance with local regulations. Please contact your local distributor for proper disposal.

Notice

Any serious incident that has occurred in relation to the device should be reported to the manufacturer and the competent authority in which the user and/or patient is established.



MIZUHO Corporation
3-30-13 Hongo, Bunkyo-ku, Tokyo 113-0033, Japan
<https://www.mizuho.co.jp>



EMERGO EUROPE
Westervoortsedijk 60
6827 AT Arnhem, The Netherlands