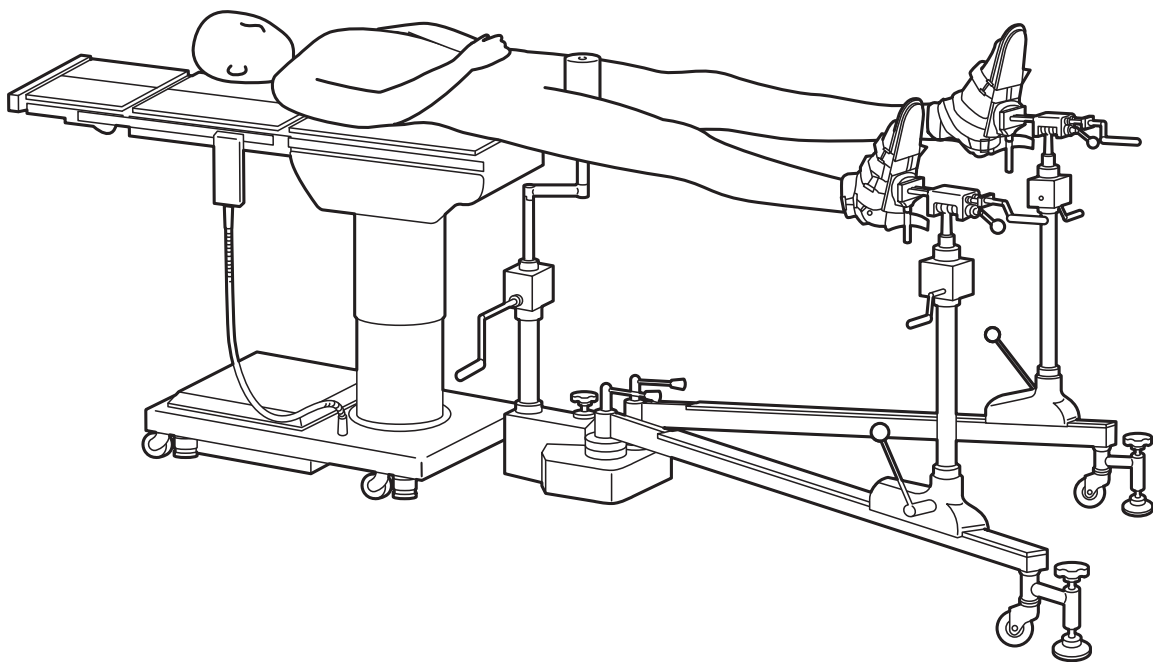




Operator's Manual

Trade Name: Leg Traction Device MOC-142



Introduction	1
Introduction	2
Intended Purpose	3
Warning / Contraindication / Prohibition	3
Structure	5
Main Unit	6
Components	7
Operation	9
Instructions for Use	10
Base / Guide Rail	10
Traction Device	12
Knee Rest	14
Lateral posture support	15
Knee Joint Rest	16
Examples of Combination of Device	17
Femoral Neck Fracture Surgery Position	17
Traction in Lateral Posture	18
Lower Limb Traction	19
Principles of Operation	21
Storage	22
Maintenance and Inspection	22
Specifications	23
Specifications	24
Matters Related to Warranty Period	24



Introduction

Introduction

This document is the Instruction Manual intended for safe and effective use of this leg traction device. Read this document and adequately understand the procedures for operation/inspection/adjustment/repairs before using this leg traction device.

Failure to follow these instructions could lead to a serious accident.

Safety information is classified as follows in order for readers to understand warnings and cautions described herein.



WARNING

A WARNING notice indicates a situation which can result in death or serious injury to a person if the notice is ignored and the table is handled improperly.



CAUTION

A CAUTION notice indicates a situation which can result in injury to a person and/or damage to property if the notice is ignored and the table is handled improperly.

SUPPLEMENT

This indication corresponds to supplementary information on the functions of the product.

We cannot predict all risks in all environments.

Accordingly, the cautions given in this manual do not cover all possible risks.

The cautions relating to operation given in this manual apply to the use of the lower limb traction device for the purpose of traction.

If it is used for any purpose other than traction, or any operation not described in this manual is performed, the responsibility for safety shall rest entirely with the user.

Intended Purpose

This is an accessory to an operating table.

The device is designed to support the patient's lower limbs and apply traction.

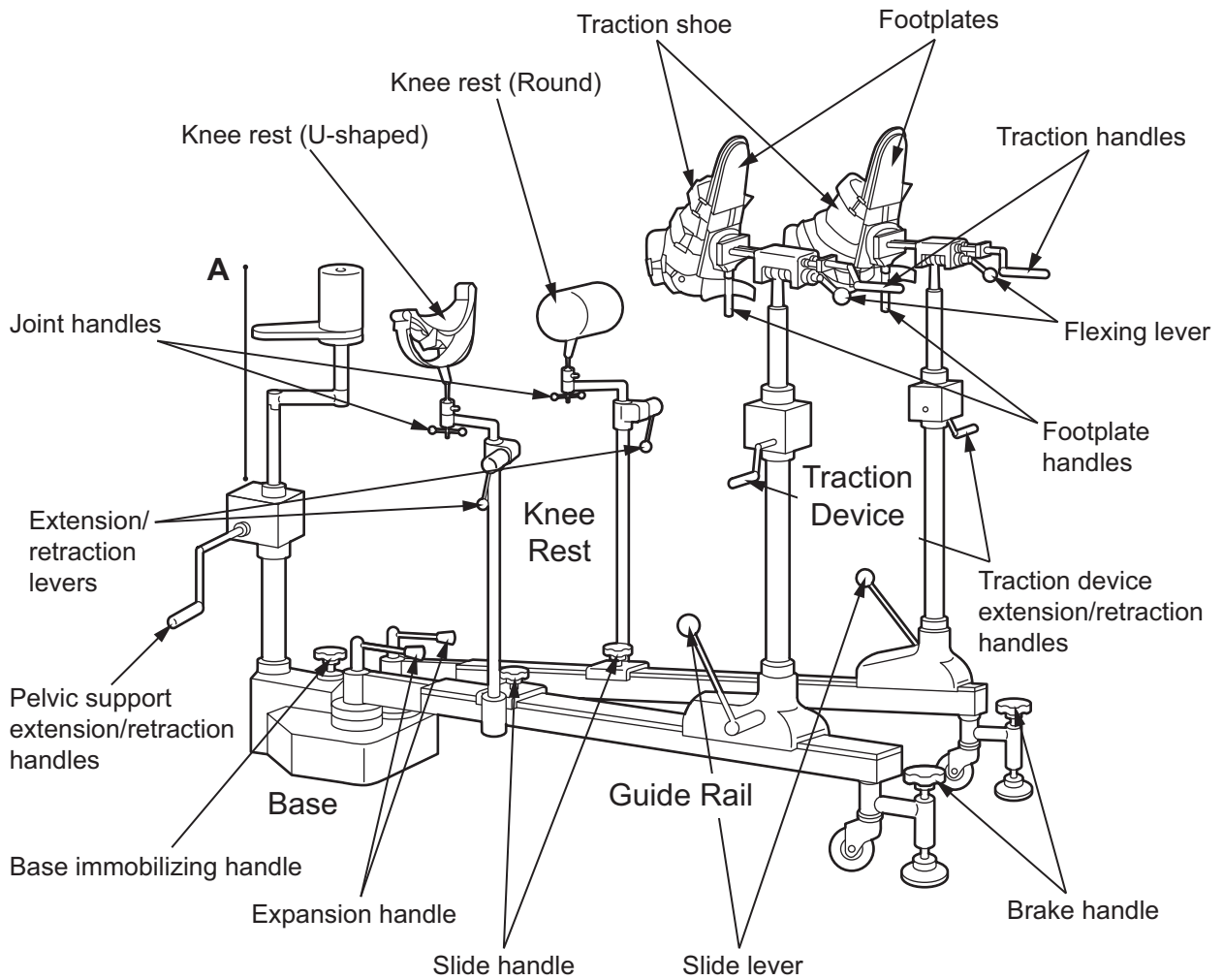
Warning / Contraindication / Prohibition

1. When using operating table accessories, always pay close attention to the patient. Patients left in the same posture for an extended period of time are at risk for developing bedsores.
2. This product is only validated for use with Mizuho operating tables.
3. Ensure clamping handle is tight. Failure to do so may result in a patient injury.

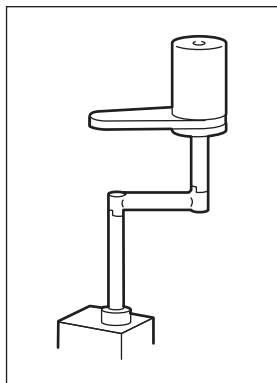


Structure

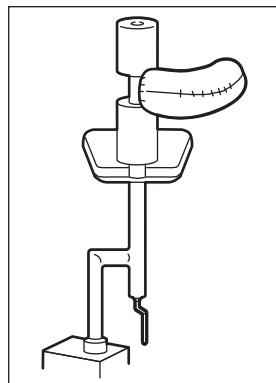
Main Unit



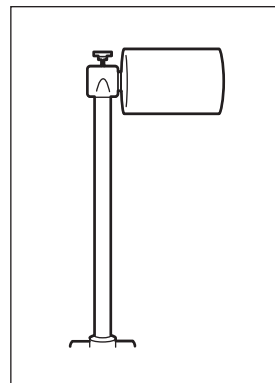
Details A



Pelvic support

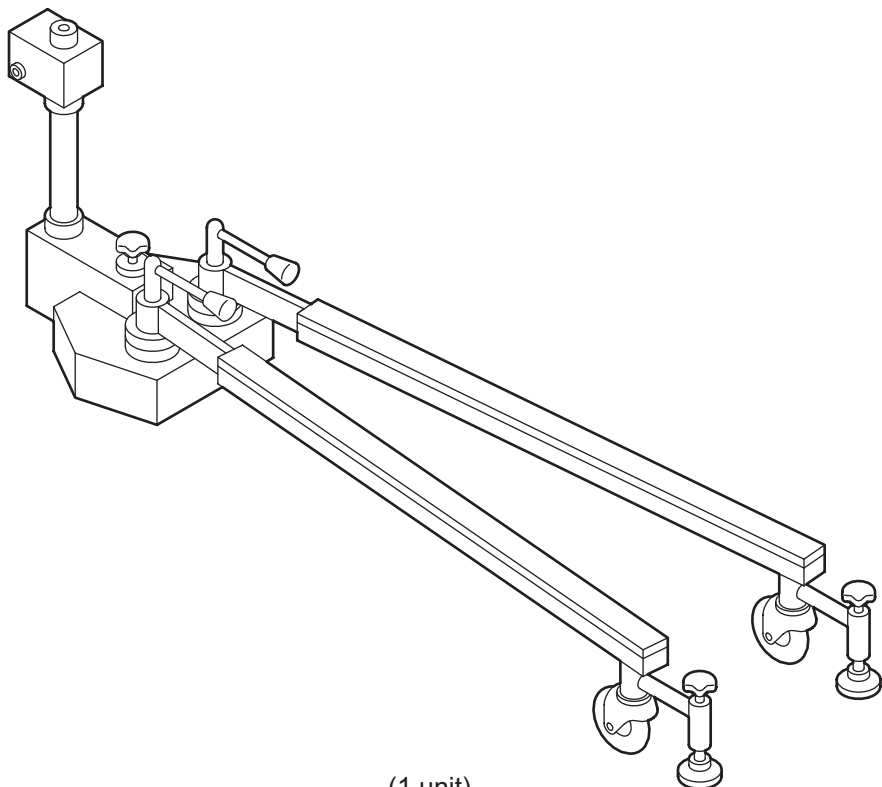

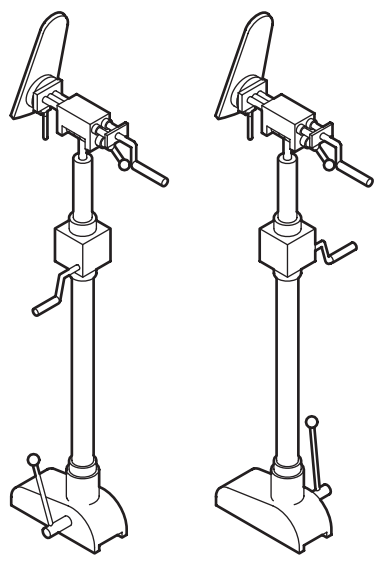
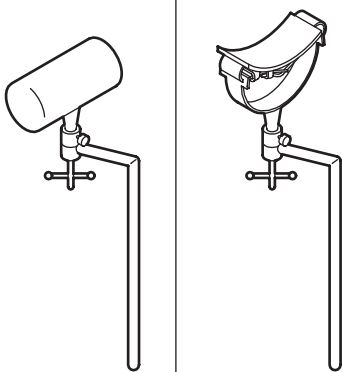


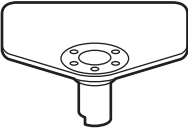
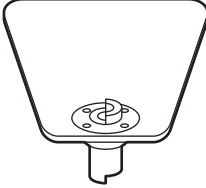
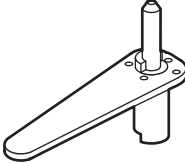
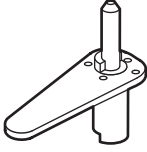
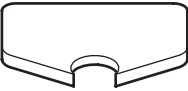
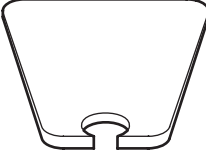
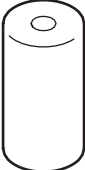

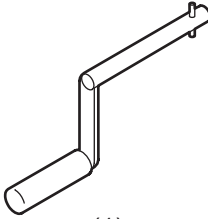
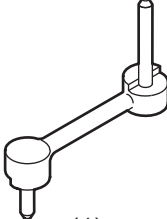


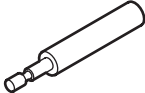
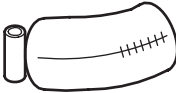


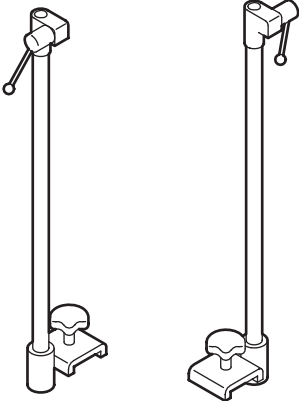
Lateral posture support



Knee joint rest

Components

Base / Guide Rail			
 <p>(1 unit)</p>			
Traction Shoe	Traction Device		Knee Rest
 <p>(1 each left and right)</p>	 <p>(1 unit each left and right)</p>		 <p>Round (1 unit)</p> <p>U-shaped (1 unit)</p>

Pelvic support			
 For lateral posture (1)	 Large (1)	 Medium (1)	 Small (1)
Pad			
 For lateral posture (1)	 Large (1)	 Large (1)	 Small (1)
Pelvic support extension/retraction handles		L-shaped support	
 (1)		 (1)	
Inner thigh support		Insertion shaft	Lateral posture groin rest
 Large (1)	 Small (1)	 (1)	 (1)
Knee joint rest		Support for lateral posture	Knee rest (stand)
 (1)		 (1)	 (1 unit each left and right)

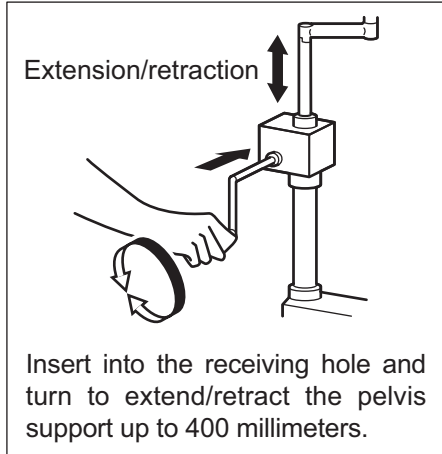


Operation

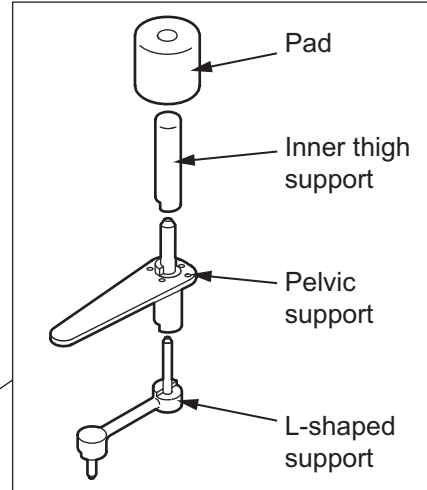
Instructions for Use

Base / Guide Rail

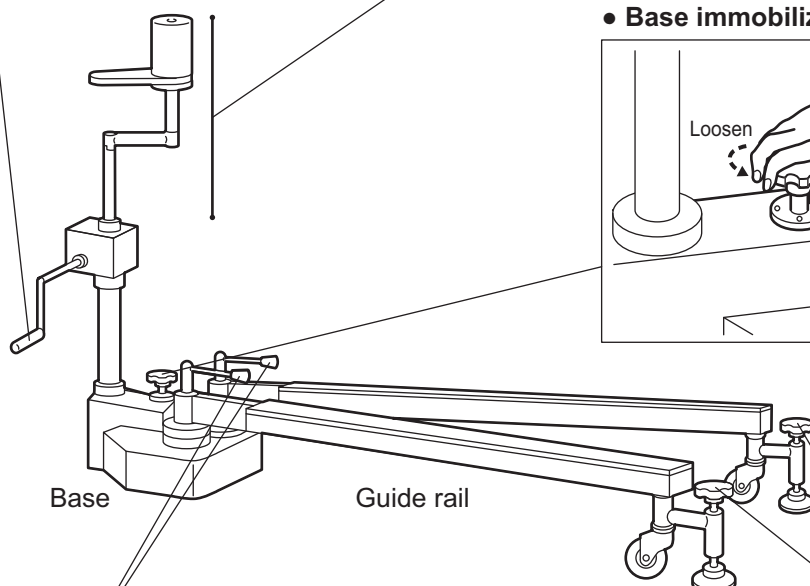
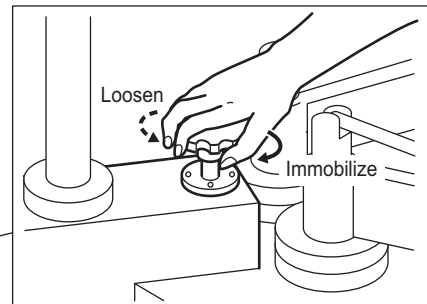
• Pelvic support extension/retraction handle



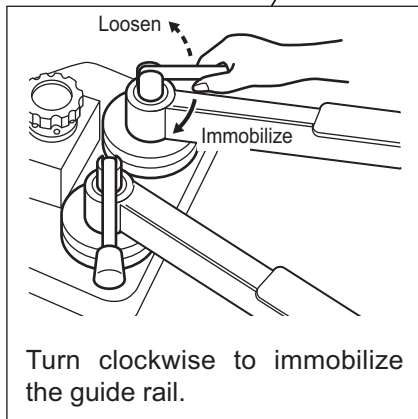
• Pelvic support



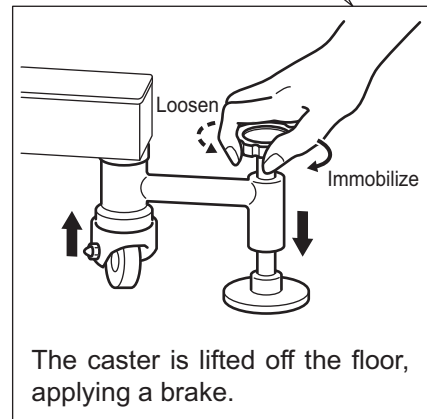
• Base immobilizing handle



• Expansion handle



• Brake handle

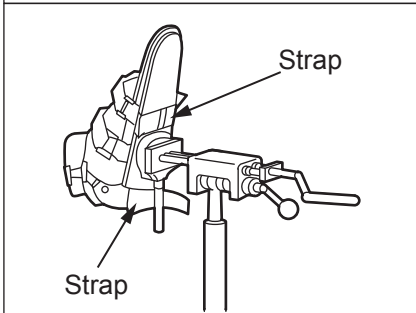
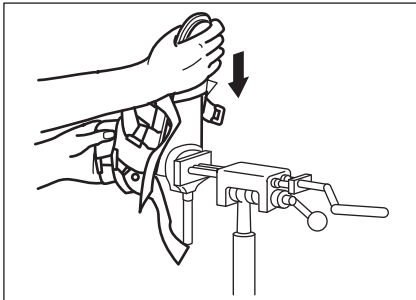


SUPPLEMENT

- Select the sizes (large/medium/small) of the pelvic support pad, inner thigh support and pelvic support according to the patient.

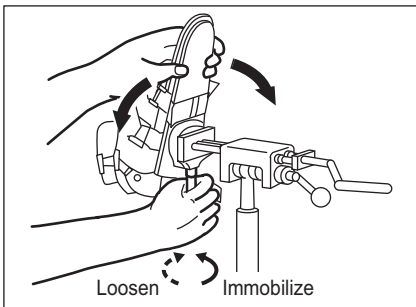
Traction Device

- Traction shoe

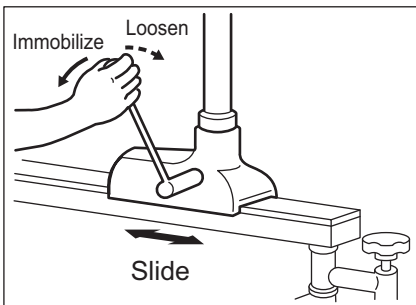


Tighten the straps to immobilize.

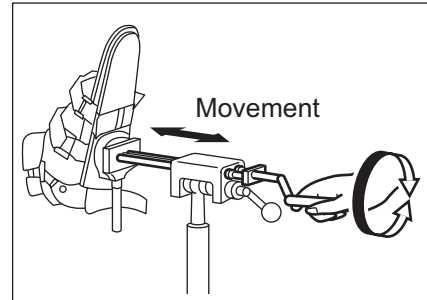
- Footplate handles



- Slide lever

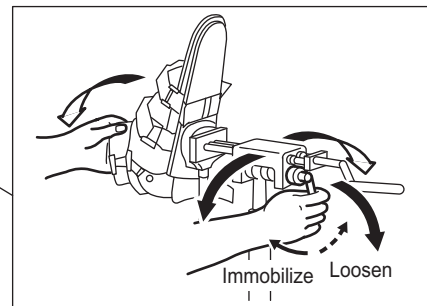


- Traction handles

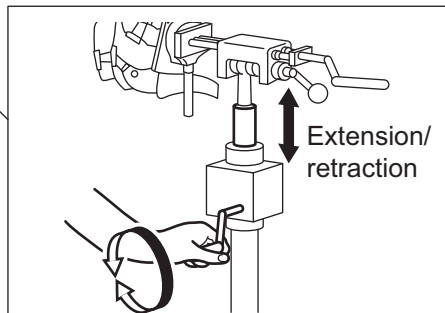


The footplate moves up to 150 millimeters.

- Flexing lever



- Traction device extension/retraction handles



The traction device extends/retracts up to 500 millimeters.

 **WARNING**

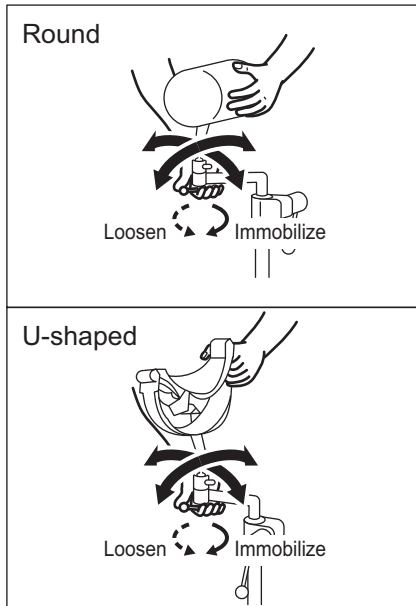
- To prevent unexpected motion, always support the traction shoe while operating a handle or lever.

 **CAUTION**

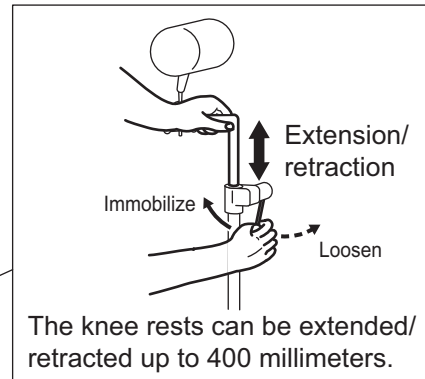
- When mounting the traction device on the guide rails, set the slide levers at the outer side.

Knee Rest

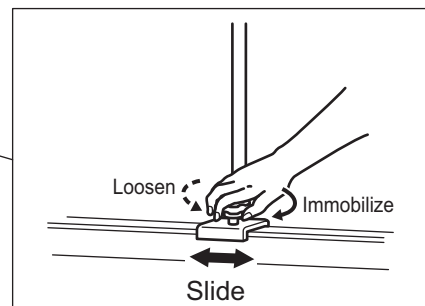
• Joint handles



• Extension/retraction levers



• Slide handle



! WARNING



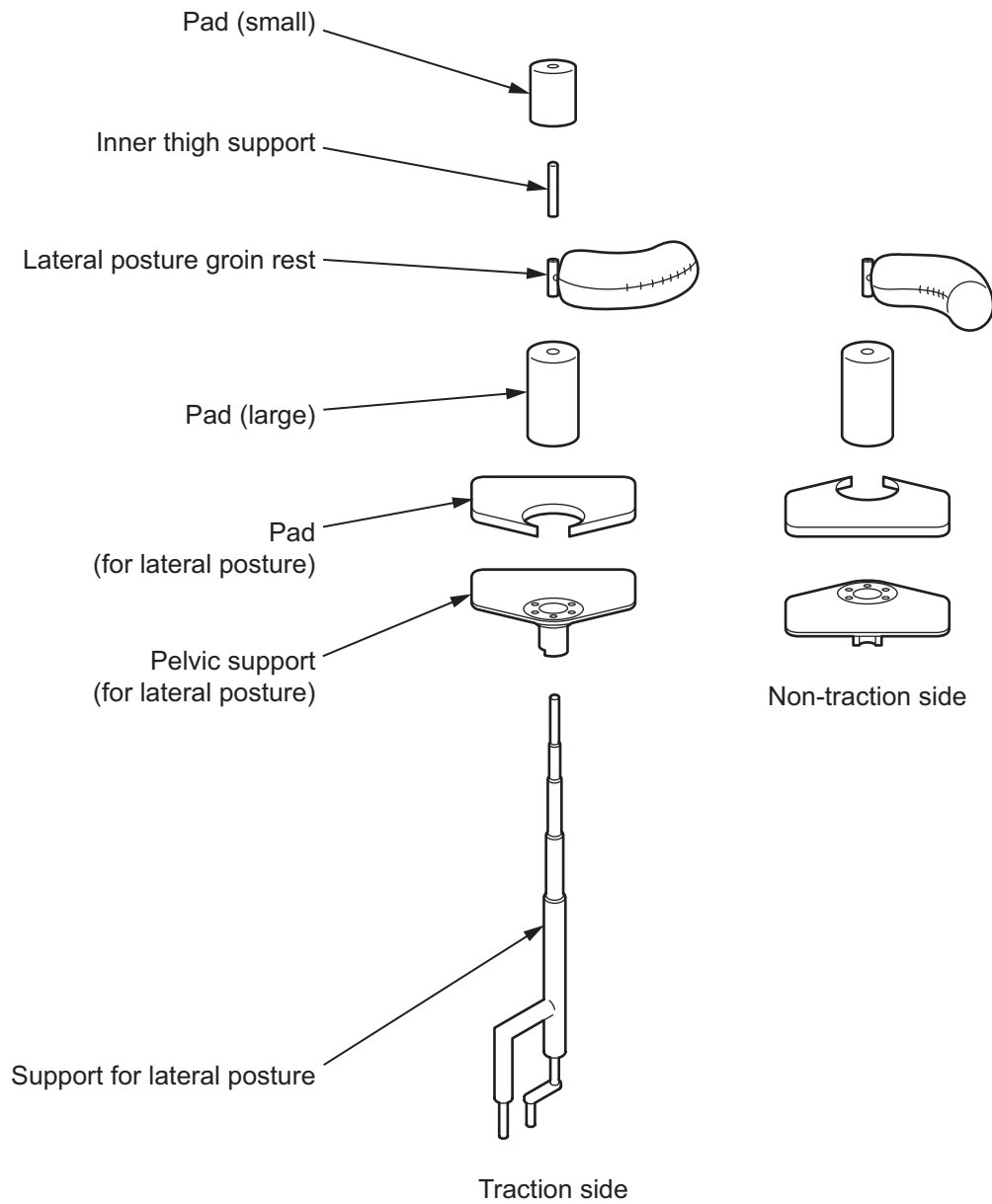
- To prevent it falling, always hold the knee rest while operating a handle or lever.

! CAUTION



- When mounting the knee rests on the guide rails, set the supports at the outer side.

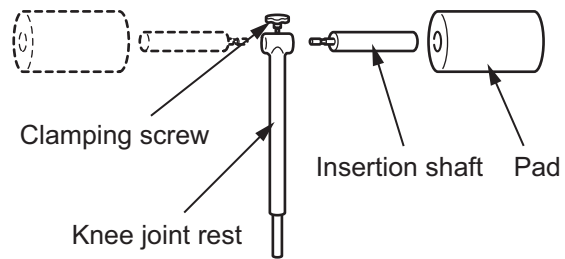
Lateral posture support



SUPPLEMENT

- Select the direction of the lateral posture groin rest, pad and pelvic support according to the orientation of the patient's position.

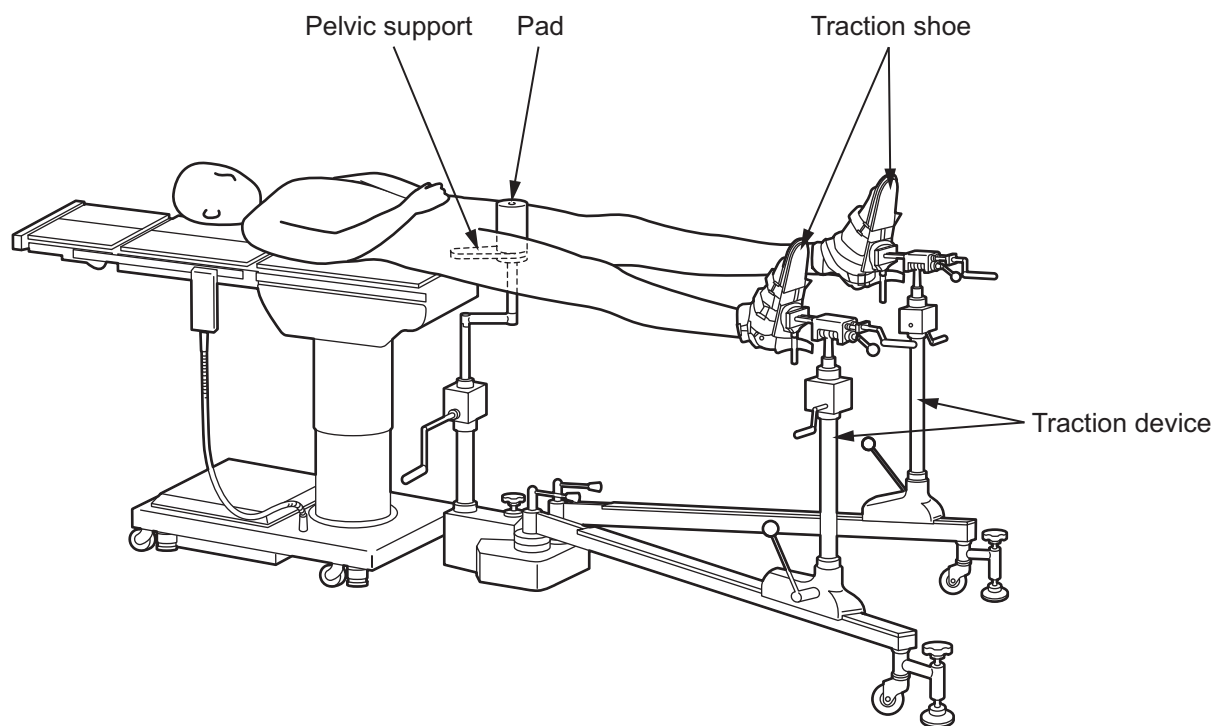
Knee Joint Rest



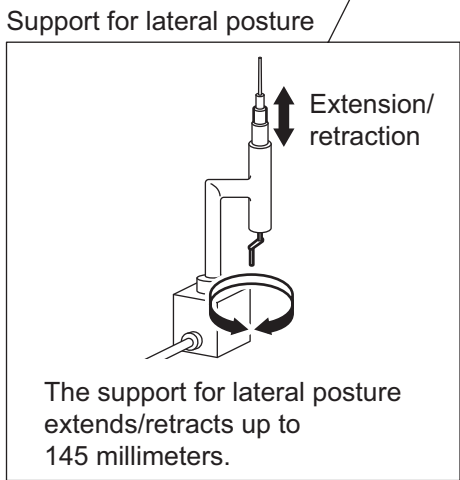
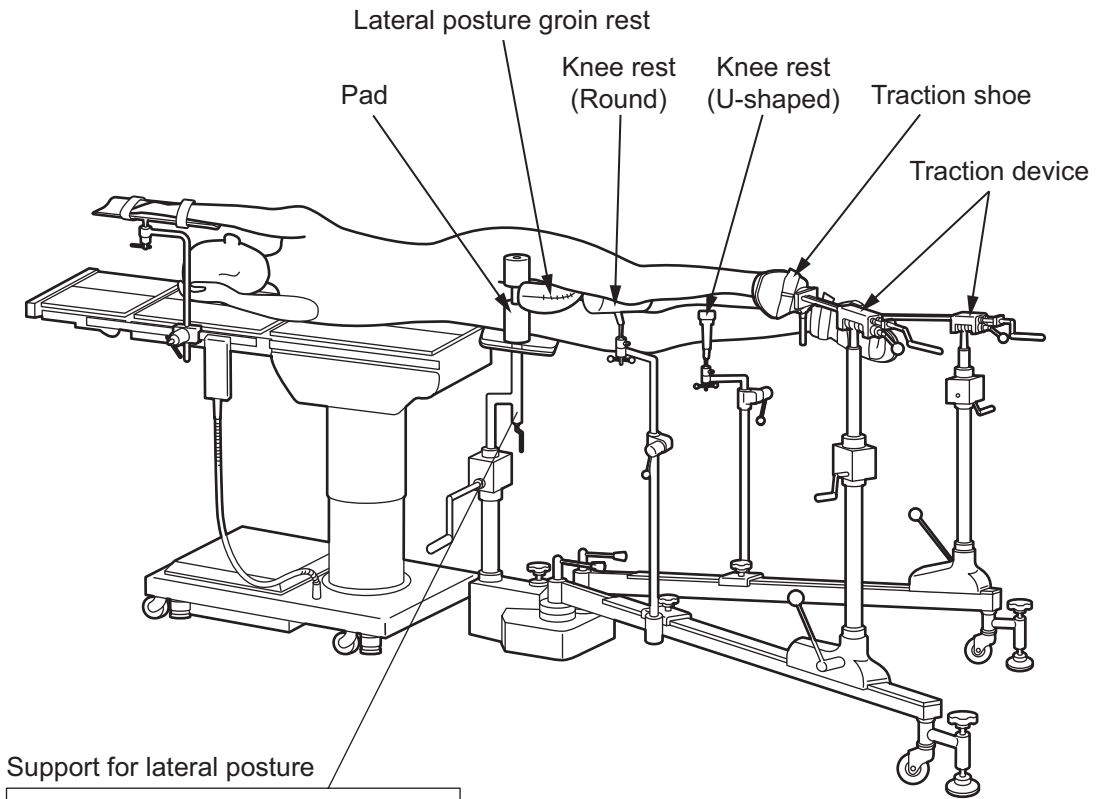
SUPPLEMENT

- Select the direction of the insertion shaft and pad according to the orientation of the patient's position.

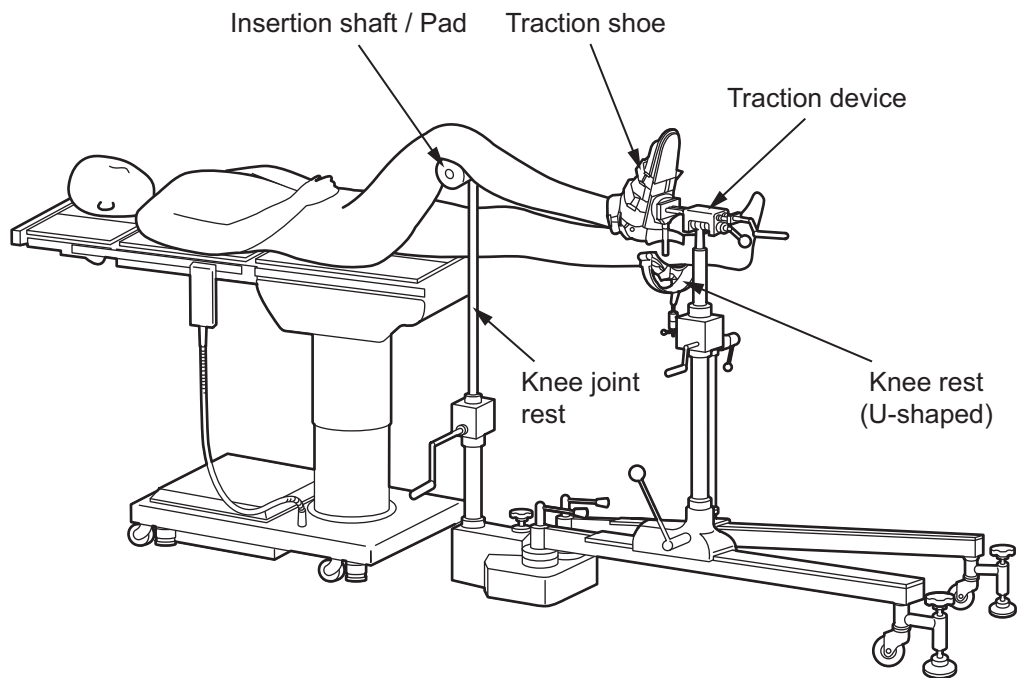
Examples of Combination of Device Femoral Neck Fracture Surgery Position



Traction in Lateral Posture



Lower Limb Traction

 **CAUTION**

- When approaching the image intensifier, move the traction device so that it is not shown on the X-ray screen.



Principles of Operation

Storage

Do not store the device in high temperatures or in areas with high humidity where the temperature has drastic variations.

Maintenance and Inspection

1. Check that this product is not damaged or broken before and after use.
2. Cleaning and disinfection
Wipe off blood, chemicals, contaminants, and other stains with water, and clean the device with gauze or other material moistened with alcohol to disinfect.
3. In case of a malfunction
If you need to have this product repaired, clearly label the device as “Broken”, “Need repair” etc. and contact your local dealer or Mizuho.

CAUTION



- Maintenance and inspection can only be carried out by Mizuho certified suppliers.



Specifications

Specifications

Manual	Traction device extension/retraction stroke	500mm
	Traction device inflection angle	As required
	Traction device traction stroke	150mm
	Footplate rotation angle	As required
	Knee rest extension/retraction stroke	400mm
	Elbow rest inflection angle	As required
	Pelvic support extension/retraction stroke	400mm
	Extension/retraction stroke of support for lateral posture	145mm
	Guide rail expansion angle	90°
Shelf Life	7 years (※)	
Packing	1 piece per pack	

※ Subject to the specified maintenance and inspection and is stored properly.

Matters Related to Warranty Period

MIZUHO Corporation will repair defective parts of this product without charge for one year from the date of delivery/installment except for cases of damage caused by a third party's repair, act of nature, improper use or intentional damage. All other warranty terms and conditions are subject to regulations of MIZUHO Corporation.



Sale Agent:

Manufacturer:



MIZUHO Corporation

3-30-13 Hongo, Bunkyo-ku
Tokyo 113-0033, Japan
<http://www.mizuho.co.jp>