

Instruction for Use

Trade Name: Head Extension

Warning

When using operating table accessories, always pay close attention to the patient. Patients left in the same posture for an extended period of time are at risk for developing nerve paralysis and/or bedsores.

Contraindication/Prohibition

1. This product is only validated for use with Mizuho operating tables.
2. Use only on the models listed in **Instructions for use**, 2. Applicable operating tables.

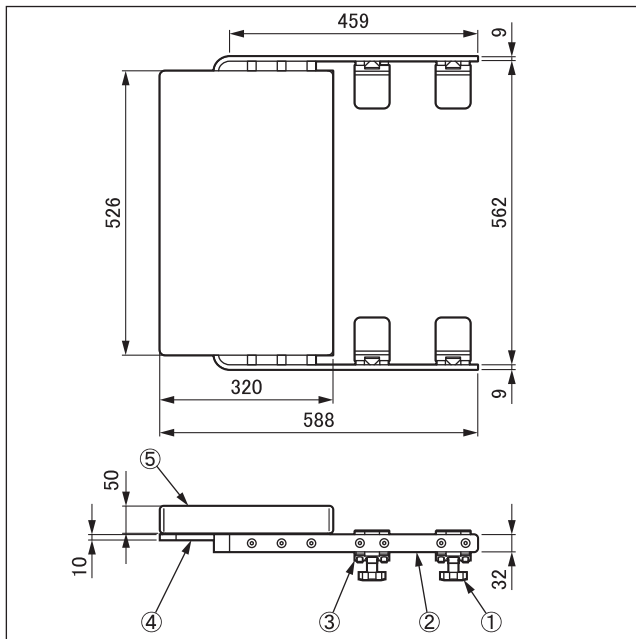
Symbol mark for labeling

MD : Medical Device

Specifications

1. Shape

Unit: mm



Code No.	Product Description
08-042-05	Head Extension for VACB with Pad (320mm) *1
08-042-05-R1	Head Extension for VACB with Pad (320mm)(R1) *2
08-042-05-R2	Head Extension for VACB with Pad (320mm)(R2) *3

*1, *2 and *3: The size of mountable side rail is different.

2. Weight

9.0 kg

3. Material

- ① Fixing handle: Synthetic resin
- ② Side rail: Stainless steel
- ③ Frame: Aluminum alloy
- ④ Board: Thermosetting resin
- ⑤ Pad: Polyurethane

Note: The number corresponds to those used in 1. Shape.

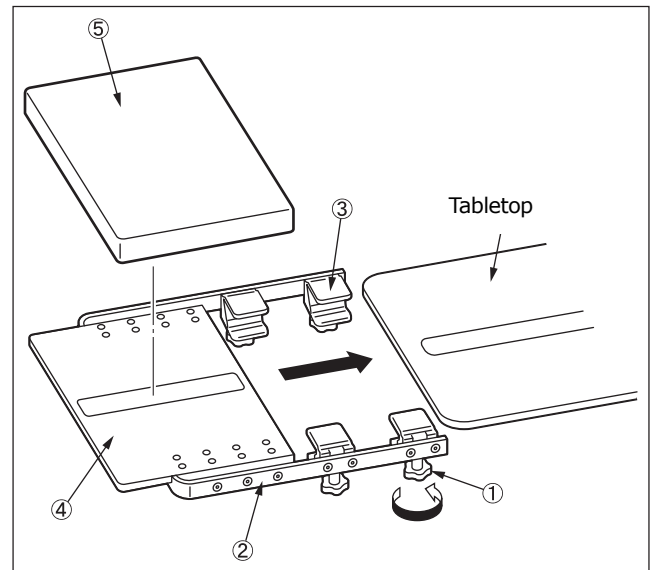
Intended purpose

This is an accessory for the operating table and is used to support a patient's head.

Intended user

This product is to be used by health care professionals, including but not limited to surgeons, nurses and biomedical technicians.

Instructions for use



1. Attachment

- 1-1. Adjust the position of the tabletop horizontally and slide the frame ③ into the tabletop.
- 1-2. Tighten the fixing handles① to fix this product.
- 1-3. Attach the pad⑤ to the board④.
- 1-4. Attach other operating table accessories to the side rail② as needed.

2. Applicable operating tables

Product name
Operating Table VACB-3006B

Warning/Caution

1. Warning

Ensure all fixing handles are tight. Loose condition can cause the product to come off or move, which may result in a patient injury.

2. Important caution

- 2-1. When working with an operating table, take care not to allow this product to make contact or interfere with the tabletop or with other tools and appliances used in combination with this product. Otherwise the product could break.
- 2-2. For hygiene, be sure to use sterilized drapes on the areas on this product where the patient comes into contact with it.

Storage/Life

1. Do not store the device in high temperatures or in areas with high humidity where the temperature has drastic variations.
2. Service life of this product: 7 years
(Subject to the specified maintenance and inspection and is stored properly.)

Maintenance/Inspection

<By the user>

1. Check before and after use

Check that this product is not damaged or broken before and after each use.

2. Cleaning and disinfection

Wipe off blood, chemicals, contaminants, and other stains with water, and clean the device with gauze or other materials soaked in disinfectants. In addition, use the same disinfectants as the authorized disinfectants on Mizuho's operating table described in the operating table operator's manual.

3. In case of a malfunction

When this product is broken, clearly label the device as "Broken", "Do not use", "Need repair", etc., and contact your local distributor or Mizuho.

<By agents>

Maintenance and inspection can only be carried out by certified agents of Mizuho.

Packing

1 piece per pack

Warranty

MIZUHO Corporation will repair defective parts of this product without charge for one year from the date of delivery/installment except for cases of damage caused by a third party's repair, act of nature, improper use or intentional damage. All other warranty terms and conditions are subject to regulations of MIZUHO Corporation.

Disposal

This device must be disposed of in accordance with local regulations. Please contact your local distributor for proper disposal.

Notice

Any serious incident that has occurred in relation to the device should be reported to the manufacturer and the competent authority in which the user and/or patient is established.



MIZUHO Corporation
3-30-13 Hongo, Bunkyo-ku, Tokyo 113-0033, Japan
<https://www.mizuho.co.jp>



EMERGO EUROPE
Westervoortsedijk 60
6827 AT Arnhem, The Netherlands