

Instruction for Use

Trade Name: Back Section Board Short

Warning

When using operating table accessories, always pay close attention to the patient. Patients left in the same posture for an extended period of time are at risk for developing nerve paralysis and/or bedsores.

Contraindication/Prohibition

1. This product is only validated for use with Mizuho operating tables.
2. Use only on the models listed in [Specifications], 4. Applicable operating tables.

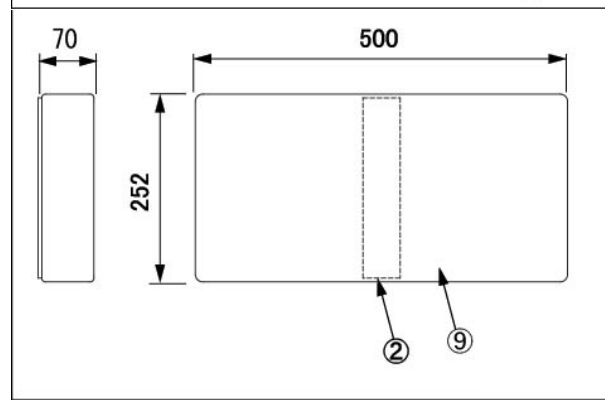
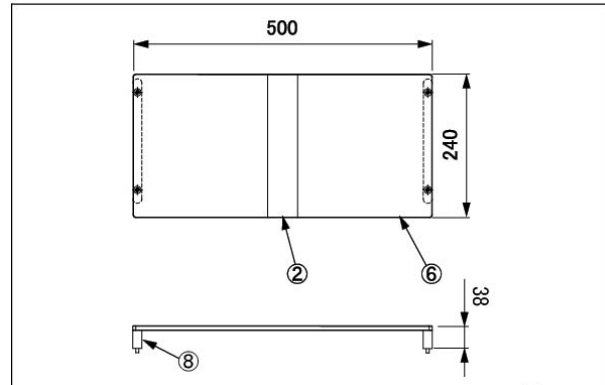
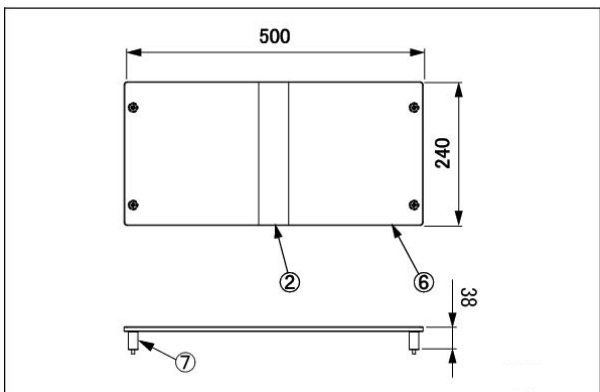
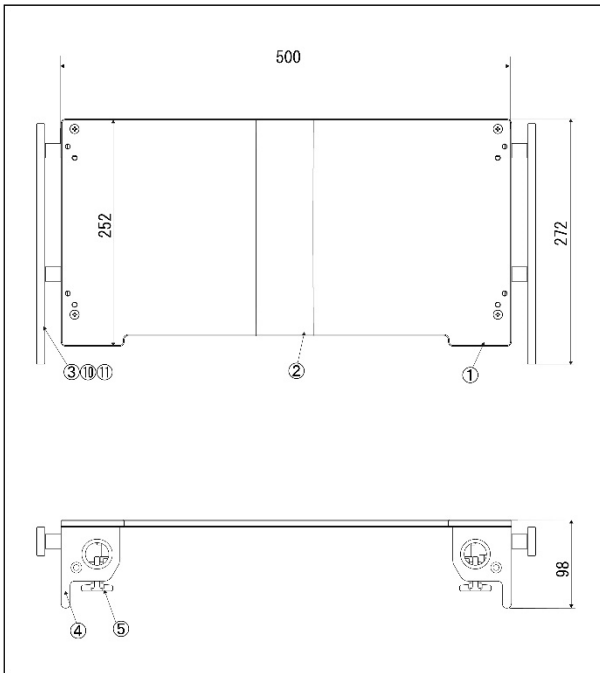
Symbol mark for labeling

MD : Medical Device

Specifications

1. Shape

Unit: mm



Code No.	Product Description	Components
08-007-21	Back Section Board Short	①②③④⑤
08-007-21-R1	Back Section Board Short (R1)	①②③④⑤
08-007-21-R2	Back Section Board Short (R2)	①②③④⑤
08-083-03	Radiographic Table Tops Fixed Type for Back Section Board Short	②⑥⑦
08-083-23	Digital Radiographic Table Tops Fixed Type for Back Section Board Short	②⑥⑧
08-083-43	Phenolic Board for Radiographic and Digital Radiographic Table Tops Fixed Type for Back Section Board Short	①②
08-083-64	Mizuho Original Pad (252mm)	②⑨

Note.1: The size of mountable side rail is different for the fixture③.

Note.2: The number corresponds to those used in 1. Shape.

2. Weight

- Main body: 6.0kg (08-007-21/-R1/-R2)
- Radiographic Top: 1.4kg (08-083-03/-23)
- Phenolic Board: 1.4kg (08-083-43)
- Pad: 0.5kg (08-083-64)

3. Material

- ① Board: Thermosetting resin laminated board
- ② Tape: Nylon
- ③ Side rail: Stainless steel bar
- ④ Frame: Aluminum alloy casting
- ⑤ Locking levers: Stainless steel bar
- ⑥ Cassette board: Thermosetting resin laminated board
- ⑦ Radiographic top leg: Carbon tool steel
- ⑧ Radiographic top leg: Polycarbonate
- ⑨ Pad: Urethane foam

Note: The number corresponds to those used in 1. Shape.

4. Refer to the brochure "OPERATING TABLE ACCESSORIES" of Mizuho.

Intended purpose

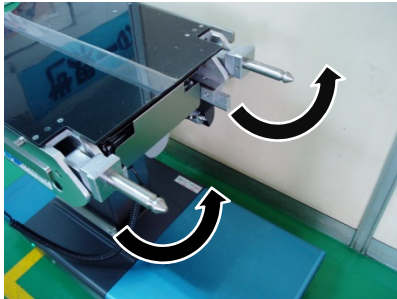
This is an accessory to an operating table, intended to be attached to the table for supporting a patient's back. It can be used for X-ray imaging.

Intended user

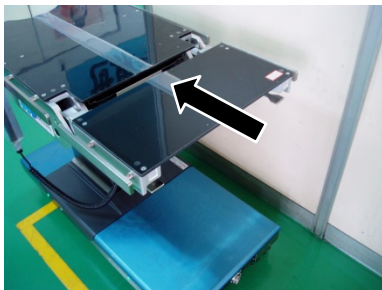
This product is to be used by health care professionals, including but not limited to surgeons, nurses and biomedical technicians.

Instructions for use

1. Move the back section of the operating table to horizontal.
2. Take off the head section and the back section.
3. Check that the pins of the operating table are in a horizontal position.



4. Insert the back section board.



5. Pull the back section board toward you.
6. Check that the back section board is securely attached to the operating table.

Warning / Caution

1. Warning
Ensure all fixing handles are tight. Loose condition can cause the product to come off or move, which may result in a patient injury.
2. Important caution
 - 2-1. Be sure to check that Back Section Board Short is fully inserted onto the extended pins of the operating table.
 - 2-2. When working with an operating table, take care not to allow this product to make contact or interfere with the table top or with other tools and appliances used in combination with this product.
 - 2-3. For hygiene, be sure to use sterilized drapes on the areas on this product where the patient comes into contact with it.

Storage / Life

1. Do not store the device in high temperatures or in areas with high humidity where the temperature has drastic variations.
2. Service life of this product: 7 years
(subject to the specified maintenance and inspection and is stored properly)

Maintenance/Inspection

<By the user>

1. Check that this product is not damaged or broken before and after use.
2. Cleaning and disinfection
Wipe off blood, chemicals, contaminants, and other stains with water, and clean the device with gauze or other material moistened with alcohol to disinfect.
3. In case of a malfunction

If you need to have this product repaired, clearly label the device as "Broken", "Need repair" etc. and contact your local dealer or Mizuho.

<By agents>

Maintenance and inspection can only be carried out by certified agents of Mizuho.

Packing

1 piece per pack

Warranty

MIZUHO Corporation will repair defective parts of this product without charge for one year from the date of delivery/installment except for cases of damage caused by a third party's repair, act of nature, improper use or intentional damage. All other warranty terms and conditions are subject to regulations of MIZUHO Corporation.

Disposal

This device must be disposed of in accordance with local regulations. Please contact your local distributor for proper disposal.

Notice

Any serious incident that has occurred in relation to the device should be reported to the manufacturer and the competent authority in which the user and / or patient is established.

Manufacturer



MIZUHO Corporation
3-30-13 Hongo, Bunkyo-ku, Tokyo 113-0033, Japan
<http://www.mizuho.co.jp>

European authorized representative



Emergo Europe B.V.
Prinsessegracht 20, 2514 AP, The Hague
The Netherlands