

Be sure to read this instruction manual before using this product.  
Keep this manual available for reference when needed.

## Instruction for Use

Trade Name: Sitting Position Frame with Clamps

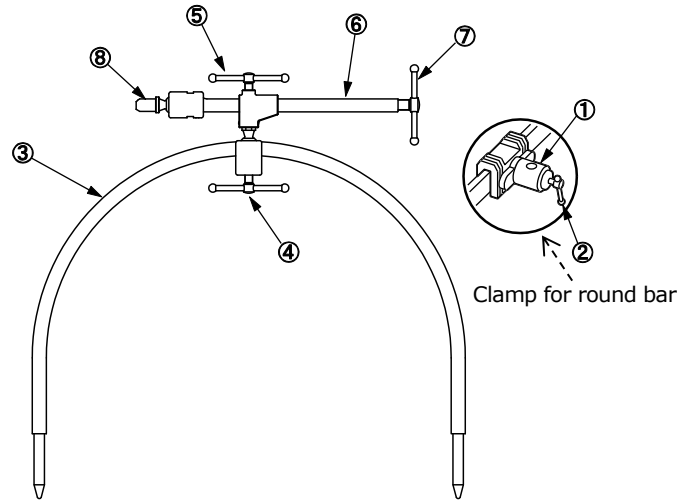
**Warning**

1. Please read these instructions carefully prior to using this product. Product should be used according to these instructions, and pay close attention to the safety of patients. Failure to follow manufacturer's recommendations may cause harm or injury to the patient.
2. When using operating table accessories, always pay close attention to the patient. Patients left in the same posture for an extended period of time are at risk for developing nerve paralysis.

**Contraindication/Prohibition**

1. Do not use this product with a loose fixing handle. The Sitting Position Frame with clamps could move and cause damage to a patient.
2. Use this product only with MIZUHO's operating tables and accessories that are intended to be used with this product.
3. Use for intended purpose only  
Use devices for their intended purposes only. Incorrect use could cause this product to break.
4. Prohibition of use of chemicals  
Avoid exposing this product to chemicals. Doing so could damage this product due to corrosion.
5. Prohibition of secondary processing of this product  
Do not apply any secondary processing to this product. For example, do not apply impacts or vibration markings to the surface of this product. Doing so could break this product.
6. Handle with care  
Handle this product with care, as it can be deformed or damaged. Rough handling could significantly reduce the service life of devices and appliances.
7. Prohibition of use of polishing powder and wire wool  
When cleaning this product, do not attempt to polish its surfaces with rough polishing powder or wire wool. This could cause scratches on the surfaces of this product and result in rust or corrosion.
8. Prohibition of use of household detergents  
Use only medical detergents to clean this product. Do not use any household detergent. Washing this product with an improper detergent could result in discoloration or corrosion.

**Specifications**



- ①Side rail clamp                      ⑤Support rod handle B
- ②Fixing handle                        ⑥Support rod
- ③Frame                                    ⑦Head rest handle
- ④Support rod handle A                ⑧Joint shaft

Code No.	Product Description
07-953-01	Sitting Position Frame with Side Rail Clamp
08-110-01	Clamp for Round Bar

Note: 2 pcs. of "08-110-01 Clamp for Round Bar" are included in "07-953-01 Sitting Position Frame with Side Rail Clamp".  
Material: Stainless steel

Attachable operating table accessories  
Trade name: U-SHAPED HEAD REST

**Intended purpose**

This product is an operating table accessory to be used to support a head of a patient in the sitting position.

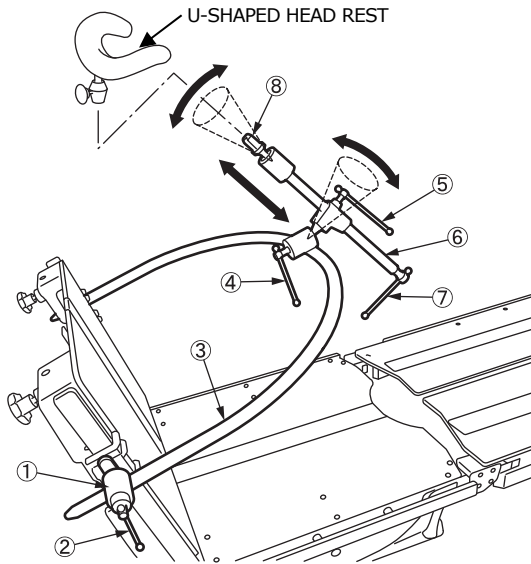
**Intended user**

This product is to be used by health care professionals, including but not limited to surgeons, nurses and biomedical technicians.

**Symbol mark for labeling**

:Medical Device

## Instructions for use



- |                       |                       |
|-----------------------|-----------------------|
| ①Side rail clamp      | ⑤Support rod handle B |
| ②Fixing handle        | ⑥Support rod          |
| ③Frame                | ⑦Head rest handle     |
| ④Support rod handle A | ⑧Joint shaft          |

1. Attach ①Side rail clamps of ③Frame to right and left side rail of an operating table.
2. Adjust and fix the position of ③Frame by ②Fixing handle.
3. Adjust and fix the position of ⑥Support rod by ④Support rod handle A and ⑤Support rod handle B.
4. Attach an operating table accessory to be used to fix a patient's head to ⑧Joint shaft.

For hygiene, be sure to use sterile drapes on the areas on this product where the patient comes into contact with it.

## Warning/Caution

1. Warning  
Ensure all fixing handles are tight. Loose condition can cause the product to come off or move, which may result in a patient injury.
2. Important caution
  - ① Use this product according to user's manuals of the operating table accessory to be attached to this.
  - ② When working with an operating table, take care not to allow this product to make contact or interfere with the table top or with other tools and appliances used in combination with this product. Otherwise the product could break.
  - ③ Prohibition of use of chemicals  
Avoid exposing this product to chemicals. Doing so could damage this product due to corrosion.

## Storage/Life

1. Storage  
Please store the device in normal ambient temperature areas. Do not store in areas of high humidity where the temperature may dramatically vary causing condensation. Do not store on or near chemicals as the chemicals may cause damage to the device.
2. Life  
Service life of this product: 7 years  
(Subject to following manufacturer's specified maintenance, inspection and proper storage requirements.)

## Maintenance/Inspection

1. Check before and after use  
Check that this product is not damaged or broken before and after use.
2. Cleaning and disinfection  
Wipe off blood, chemicals, contaminants, and other stains with water, and clean the device with gauze or other material moistened with alcohol to disinfect.
3. In case of a malfunction  
If you need to have this product repaired, clearly label the device as "Broken", "Need repair" etc. and contact your local dealer or Mizuho.

## Maintenance and check by agents

For safety use of this device, conduct periodic checks by the manufacturer or the agent recognized by the manufacturer. Maintenance and check by other agents could cause the adverse events and the decrease of the performance and the function. To schedule the periodic check, contact your local distributor or the manufacturer.

## Packing

1 piece per pack

## Warranty

MIZUHO Corporation will repair defective parts of this product without charge for one year from the date of delivery/installment except for cases of damage caused by a third party's repair, act of nature, improper use or intentional damage. All other warranty terms and conditions are subject to regulations of MIZUHO Corporation.

## Disposal

This device must be disposed of in accordance with local regulations. Please contact your local distributor for proper disposal.

## Notice

Any serious incident that has occurred in relation to the device should be reported to the manufacturer and the competent authority in which the user and/or patient is established.



MIZUHO Corporation  
3-30-13 Hongo, Bunkyo-ku, Tokyo 113-0033, Japan  
<https://www.mizuho.co.jp>



EMERGO EUROPE  
Westervoortsedijk 60, 6827 AT Arnhem  
The Netherlands