


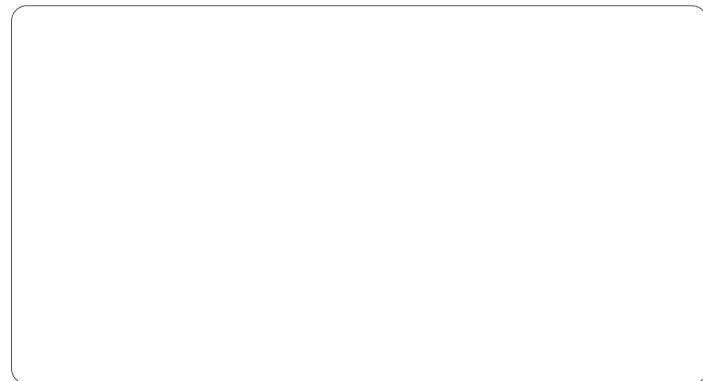
MOT-VS500 Series



MOT-VS500 Series

EC	REP	EMERGO EUROPE Westervoortsedijk 60, 6827 AT Arnhem The Netherlands	CE
----	-----	---	----

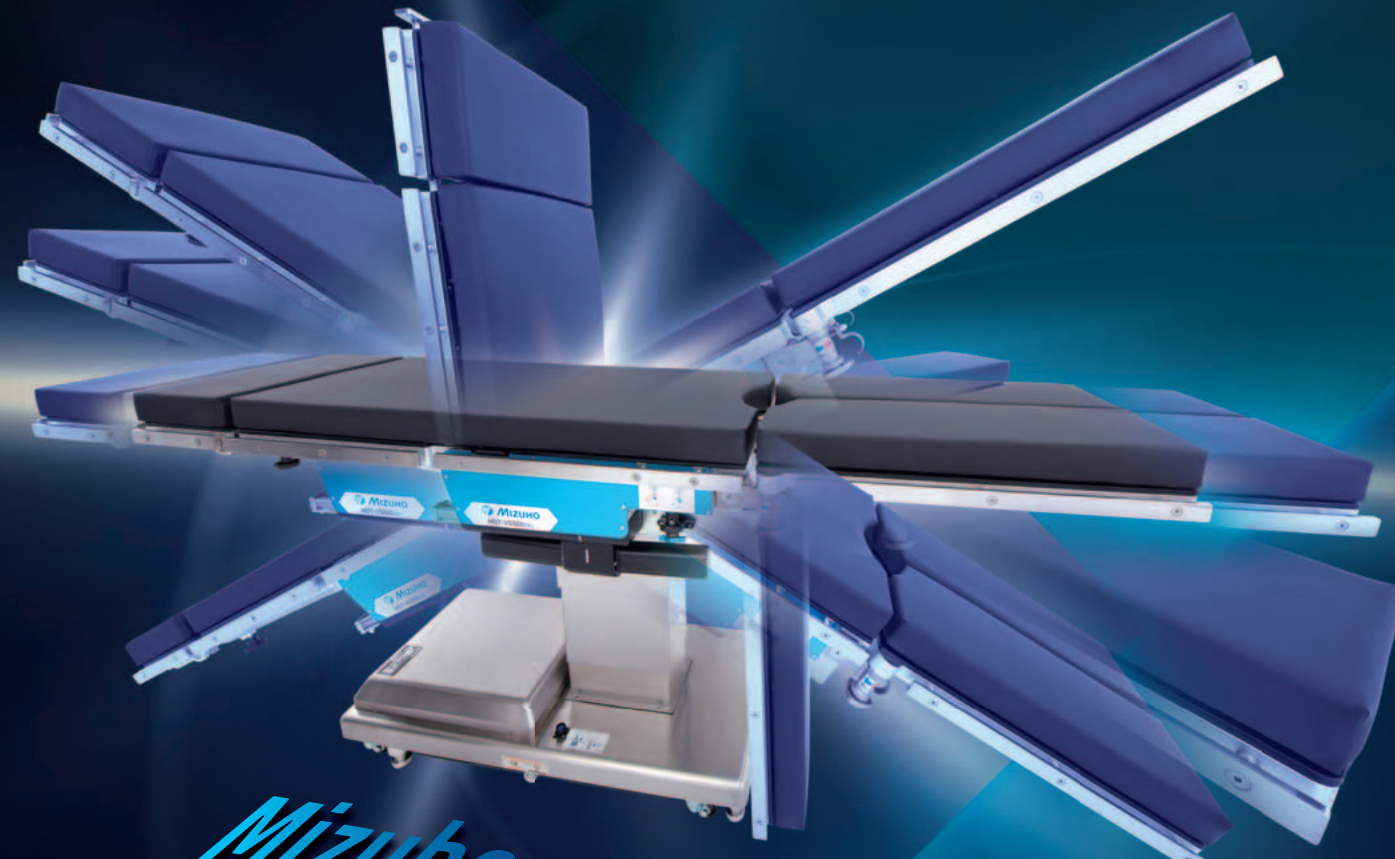
Caution		• Prior to product use, carefully read and comprehend the contents of the user manual and product packaging information.
		• Inspect the product routinely and thoroughly, in addition to pre- and postoperative examinations.
		• For after-sale support, contact your local dealer / distributor.




MIZUHO Corporation
3-30-13 Hongo, Bunkyo-ku, Tokyo 113-0033, JAPAN
<https://www.mizuho.co.jp>

* Under our policy, ongoing improvements and published specifications may be subject to change without prior notice.
* All published CG photos and illustrations have been from images.
©MIZUHO 2023

Complete body imaging can be obtained without the patients having to be moved, and without the table needing to be assembled beforehand.



Mizuho General Surgery Table

The MOT-VS500 series of operating tables possess excellent accessible functions for imaging which ensure adequate sliding ranges. These functions help the surgeons and surgical staffs to easily facilitate the setting of the patients' positioning.

The sliding functions open up work space and the imaging area to not only the leg side but also to the head side. It is designed so that imaging can be comfortably carried out and easy access can be provided to the abdomen and thorax.

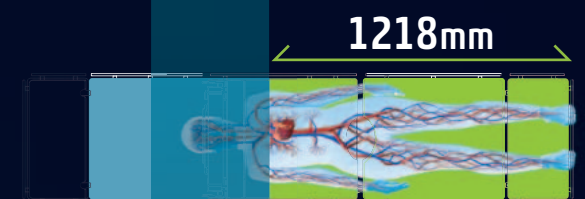
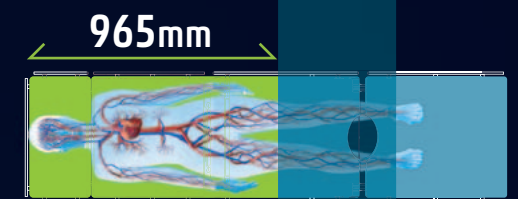
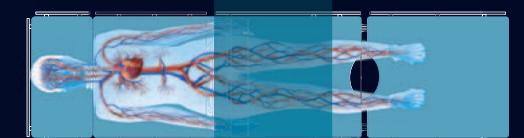
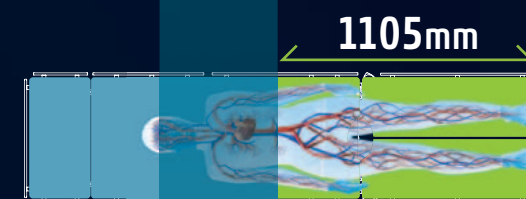
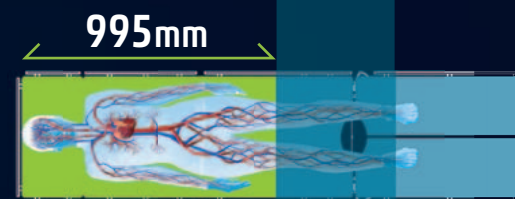
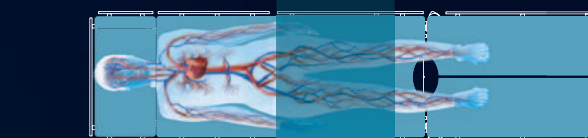
In addition, the tables are standardly equipped with a powered Kidney Bridge, which easily provides access to the kidney without the patients having to be lifted up.

530mm Total Slide Stroke



MOT-VS500DK
 310mm Slide to Head
530mm Total Slide Stroke
 220mm Slide to Leg

MOT-VS500SK
 280mm Slide to Head
530mm Total Slide Stroke
 250mm Slide to Leg



Move the Head Section to the legs

Features

Built-in
Kidney bridge

Manual
Double Leg Section

Reverse Position

*Leg-side Reversal Adapter is required.

MOT-VS500DK

The VS500DK provides longitudinal direction sliding. It offers exceptional imaging access for trauma, gynecological, or urological surgeries. The double leg section provides easy access to the patient's body when they are opened.

310mm Slide to Head
 530mm Total Slide Stroke
 220mm Slide to Leg

Built-in
Kidney bridge

Powered
Single Leg Section

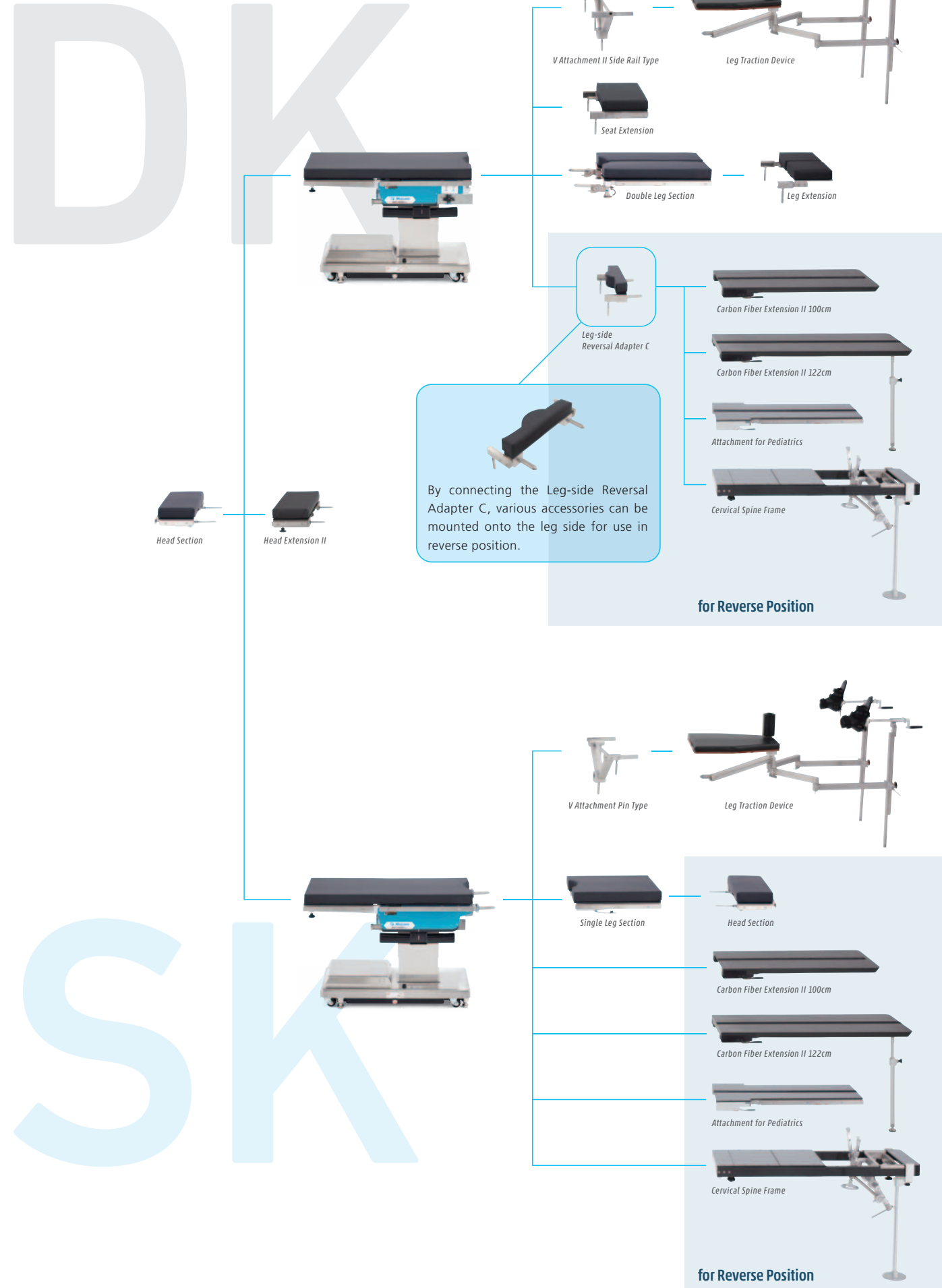
Reverse Position

MOT-VS500SK

The VS500SK provides longitudinal direction sliding. It offers exceptional imaging access for trauma, gynecological, or urological surgeries. The powered single leg section is operated by a hand controller. The usage of an adapter is not required in the reverse position.

280mm Slide to Head
 530mm Total Slide Stroke
 250mm Slide to Leg

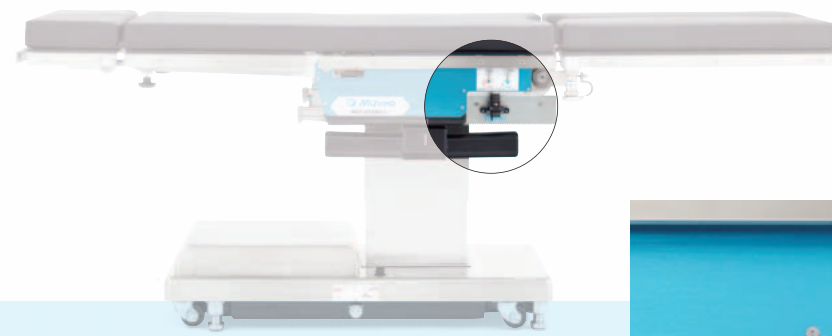
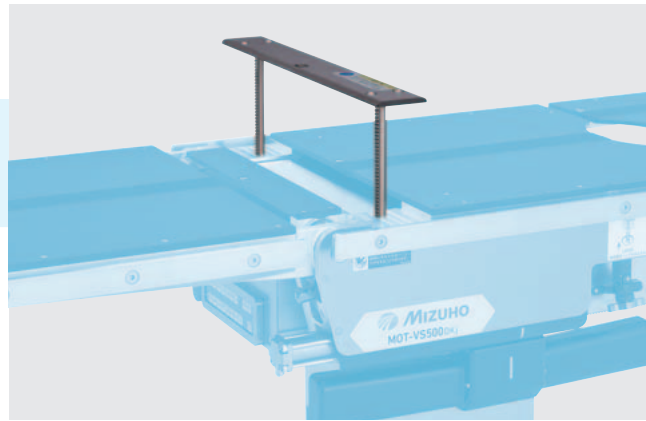
Attachment System Chart



Other Features

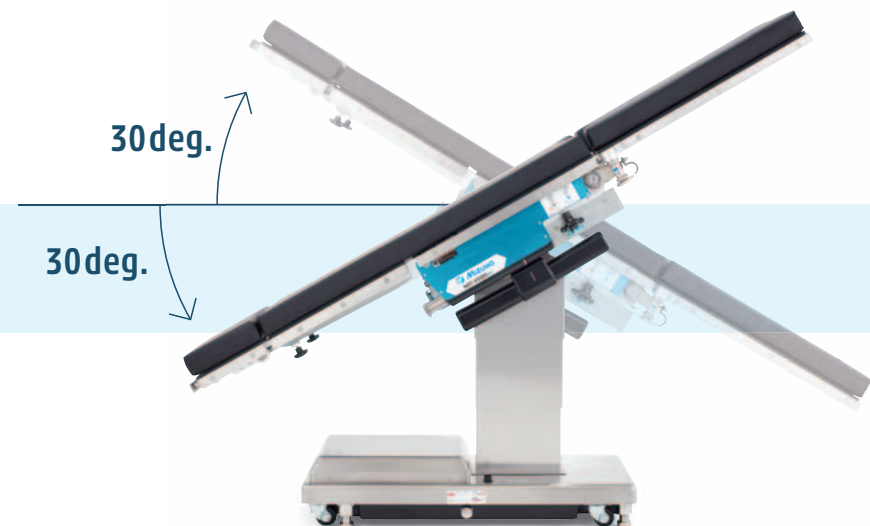
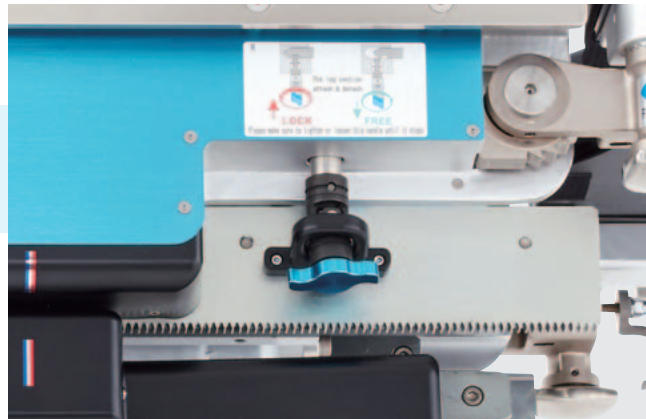
Kidney Bridge

The powered 150 mm Lift Kidney Bridge is mounted as standard. If sufficient angles in jack-knife positions cannot be obtained, this provides further angles.



Easy Removable Leg Section (vs500DK)

Knob screws are used to simply detach the leg section, and the mechanism is configured so that it can be released when it is horizontal. It is sturdily secure, and the leg section can be easily and speedily detached.



Trendelenburg

Trendelenburg angle tilting up to a maximum of 30 deg. can be obtained for the envisioned support of robotic surgeries.

Safety Features



Lift : **270 kg**
Articulation : **250 kg**

Weight Capacity

The maximum weight capacity is 270 kg / 600 lbs.

AUX Switch

Flush mounted Aux Switch is located directly underneath the tabletop to permit swift responses if the hand controller malfunctions.



Emergency Stop Switch

If the emergency stop switch is pressed, the table's power supply is immediately shut off so that various electrical problems can be dealt with.



Emergency Brake Release Knob

For releasing the brake manually in case of power outage.



Battery Indicator

Easily check the battery level at a glance via the battery indicator.



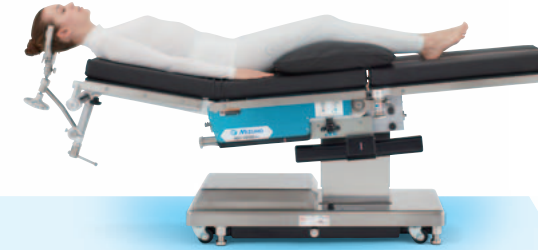
Normal Position



Laparoscopic Surgery



Orthopedic Surgery
Femur Fracture / Supine Position



Half Sitting Position



Nephrectomy / Lateral Position



Orthopedic Surgery
Femur Fracture / Lateral Position



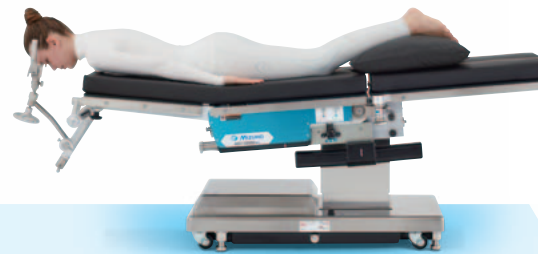
Park-bench Position



Urology / OB-GYN



Orthopedic Surgery
Tibia Fracture / Supine Position



Prone Position



Bariatric Surgery



Orthopedic Surgery
Shoulder / Beach Chair Position



Traumatology / Hand Surgery

Reverse Position



General Surgery
SK



Spine Surgery
DK SK



Cardiovascular Surgery
DK SK



Traumatology / Hand Surgery
SK

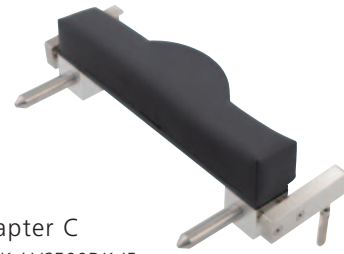
* Wilson Plus™ Radiolucent Frame and ProneView® are sold by Mizuho OSI

* Ultra Shoulder Positioner® is sold by Mizuho OSI

Optional Accessories



VS500DK-IF VS500SK-IF



Leg-side Reversal Adapter C

Applicable Model : VS500DK / VS500DK-IF

08-077-50	Leg-side Reversal Adapter C	JP Side Rail
08-077-50-R1	Leg-side Reversal Adapter C (R1)	US Side Rail
08-077-50-R2	Leg-side Reversal Adapter C (R2)	EU Side Rail

*Pad not included

Pad / Radiographic Table Top for Leg-side Reversal Adapter

18-042-90	Mizuho Original Pad for Leg-side Reversal Adapter
18-097-00	Digital Radiographic Table Top for Leg-side Reversal Adapter

IR Remote Hand Controller

Applicable Model : VS500DK-IF / VS500SK-IF

18-043-62	IR Remote Hand Controller for VS500DK TypeB	JP Side Rail
18-043-63	IR Remote Hand Controller for VS500DK TypeC	US/EU Side Rail
18-043-65	IR Remote Hand Controller for VS500SK TypeB	JP Side Rail
18-043-66	IR Remote Hand Controller for VS500SK TypeC	US/EU Side Rail



Foot Switch

Applicable Model : VS500DK-IF / VS500SK-IF

18-443-50	Foot Switch TypeA
-----------	-------------------



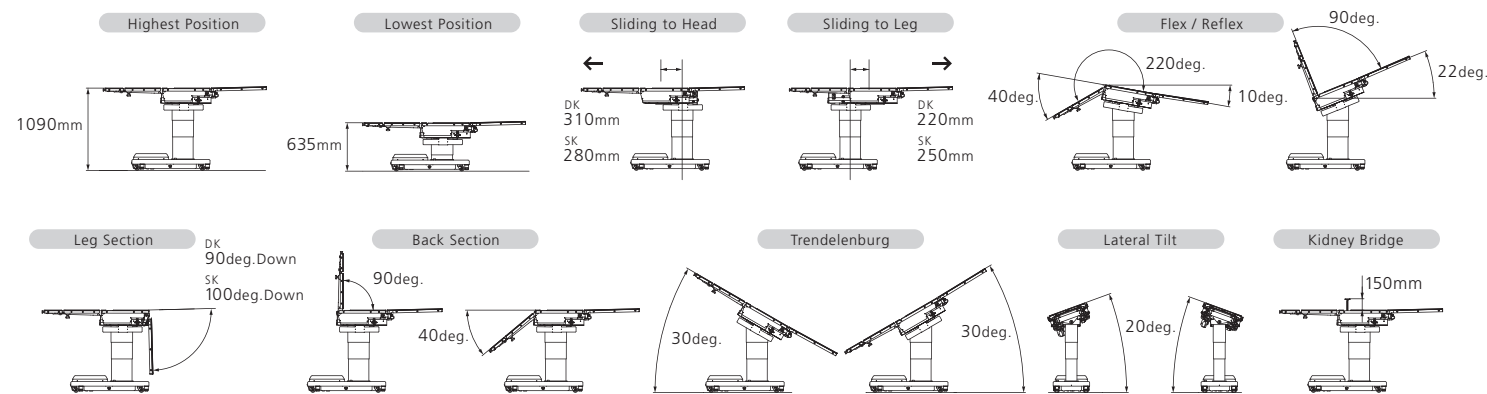
Digital Radiographic Table Tops Fixed Type

*Digital Film compatible



Radiographic Table Tops Fixed Type

Table Functions



Specifications

MOT-VS500DK / DK-IF

MOT-VS500SK / SK-IF

Product Description	MOT-VS500DK	MOT-VS500DK-IF	MOT-VS500SK	MOT-VS500SK-IF
Product Code	JP Side Rail	MOT-VS500DKj 18-500-20	MOT-VS500DKj-IF 18-505-20	MOT-VS500SKj 18-510-20
	EU Side Rail	MOT-VS500DKe 18-500-30	MOT-VS500DKe-IF 18-505-30	MOT-VS500SKe 18-510-30
	US Side Rail	MOT-VS500DKa 18-500-70	MOT-VS500DKa-IF 18-505-70	MOT-VS500SKa 18-510-70
Trade Name	Operating Table MOT-VS500		Operating Table MOT-VS500	
Drive System	Electro Hydraulic System		Electro Hydraulic System	
Country of Origin	Japan		Japan	
Elevation Range	635 mm - 1090 mm		635 mm - 1090 mm	
Trendelenburg	Head Up 30 deg. / Head Down 30 deg.		Head Up 30 deg. / Head Down 30 deg.	
Lateral Tilt	20 deg. Left / Right		20 deg. Left / Right	
Back Section	90 deg. Up / 40 deg. Down		90 deg. Up / 40 deg. Down	
Flex Angle (Auto Position)	220 deg.		220 deg.	
Reflex Angle (Auto Position)	90 deg.		90 deg.	
Table Top Slide	530 mm (310 mm to Head, 220 mm to Leg)		530 mm (280 mm to Head, 250 mm to Leg)	
Head Section	60 deg. Up / 90 deg. Down		60 deg. Up / 90 deg. Down	
Leg Section	90 deg. Down		100 deg. Down	
Leg Section Opening Angle	90 deg.		—	
Kidney Bridge	150 mm		150 mm	
Return to Level	Trendelenburg / Lateral Tilt / Back Section / Flex / Reflex / Kidney		Trendelenburg / Lateral Tilt / Back Section / Leg Section / Flex / Reflex / Kidney	
Maximum Permissible Load Elevation	270 kg (600 lbs.) in Normal 135 kg (300 lbs.) in Reverse		270 kg (600 lbs.) in Normal 135 kg (300 lbs.) in Reverse	
Maximum Permissible Load Articulation	250 kg (555 lbs.) in Normal 135 kg (300 lbs.) in Reverse		250 kg (555 lbs.) in Normal 135 kg (300 lbs.) in Reverse	
Table Top Dimensions	500 mm x 2133 mm		500 mm x 2004 mm	
Base Dimensions	483 mm x 1033 mm		483 mm x 1033 mm	
Table Weight	360 kg		370 kg	
Supply Voltage	AC 100 - 240 V		AC 100 - 240 V	
Power Consumption	400 VA		400 VA	
Battery Power	DC 24 V		DC 24 V	
Operating Voltage	DC 5 V, 24 V		DC 5 V, 24 V	
IR Wireless Hand Controller Option	Not Available		Available	
Foot Switch Option	Not Available		Available	
Standard Accessories	Table Pads / Wired Hand Controller		Table Pads / Wired Hand Controller	
Power Cord Options	To be selected according to country type		To be selected according to country type	

Main Material

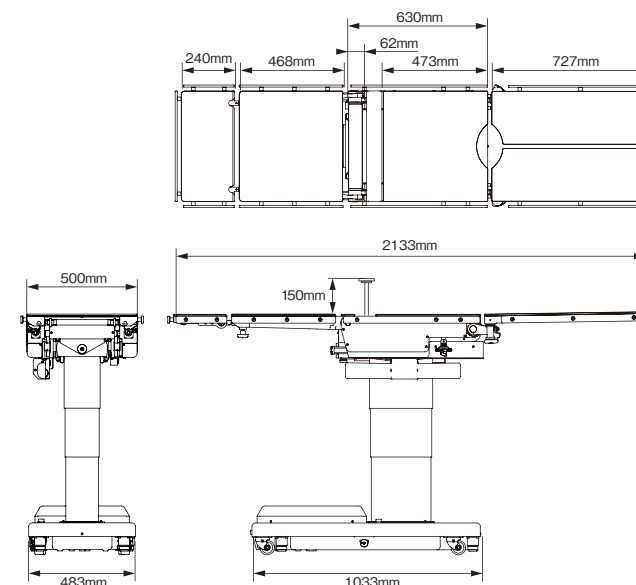
Table Plate	Phenolic Resin
Side Rail	Stainless Steel
Side Frame	Aluminum Alloy
Elevation Column (Cover)	Stainless Steel
Base (Cover)	Stainless Steel

Operating Environment

Ambient Temperature	10 to 40 °C
Relative Humidity	30 to 75 % (without moisture condensation)
Atmospheric Pressure	700 to 1060 hPa

Outer Dimension Drawing

MOT-VS500DK / DK-IF



MOT-VS500SK / SK-IF

